

TW2824

FN7738

Rev. 0.00

4-Channel Video QUAD/MUX Controller for Security Applications

February 2, 2011

The TW2824 has four high quality NTSC/PAL video decoders, dual color display controllers and dual video encoders. The TW2824 contains four 10-bit analog-to-digital converters, proprietary digital gain/clamp controller, high quality Y/C separator to reduce cross-noise and high performance dual scaler to provide various pictures. Four built-in motion and blind detectors can increase the feature of the security system. The TW2824 has a flexible video display controller including QUAD and MUX basic functions. The TW2824 also has an excellent graphic overlay function which displays character/bitmap, box and mouse pointer. The TW2824 contains two video encoders with four 10-bit digital-to-analog converters for providing 2 composite or S-video.

Features

Four Video Decoders

- Accepts all NTSC/PAL standard formats with auto detection
- Integrated four anti-aliasing filters and 10-bit CMOS ADCs
- High performance adaptive comb filters for all NTSC/PAL standards
- IF compensation filter for improvement of color demodulation
- PAL delay lines for correcting PAL phase errors
- Programmable hue, saturation, contrast, brightness and sharpness
- Dual high performance horizontal and vertical scaler for each channel.
- Four built-in motion detectors with 16x12 cells and blind detectors

Dual Video Controllers

- Additional 1-channel digital input for playback or cascade operation
- Full live/strobe/switch function
- Auto sequence switch with 64 queues and/or manual switch by interrupt

- Various channel attribute control
- Image enhancement for still image
- High performance 2x zoom for horizontal and vertical direction
- Supports save and recall function
- Last image capture when video-loss
- Extendable to 8-/12-/16-channel video controller using cascade connection
- Path-to-path cascade
- Character/bitmap overlay for OSD
- 16 programmable single boxes
- 4 2D arrayed boxes for motion result display
- Mouse pointer overlay

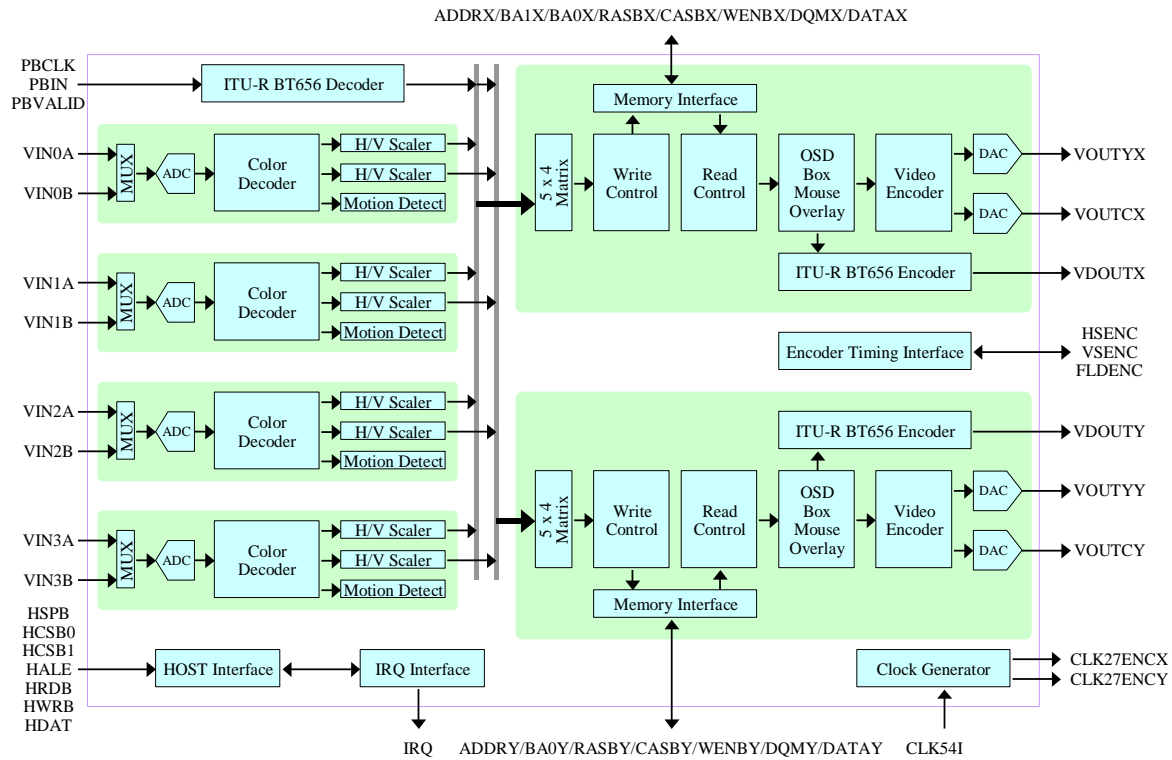
Dual Video Encoders

- 2 path digital outputs with ITU-R BT.656 standards
- 2 path analog outputs with all analog NTSC/PAL standards
- Supports CVBS or S-video for each path
- Programmable bandwidth for luminance and chrominance path
- Four 10-bit video CMOS DACs

Applications

- Analog QUAD/MUX system
- 4-/8-/16-channel DVR system
- Car rear vision system
- Hair shop system

Block Diagram



© Copyright Intersil Americas LLC 2011. All Rights Reserved.

All trademarks and registered trademarks are the property of their respective owners.

For additional products, see www.intersil.com/product_tree

Intersil products are manufactured, assembled and tested utilizing ISO9001 quality systems as noted in the quality certifications found at <http://www.intersil.com/en/support/qualandreliability.html>

Intersil products are sold by description only. Intersil may modify the circuit design and/or specifications of products at any time without notice, provided that such modification does not, in Intersil's sole judgment, affect the form, fit or function of the product. Accordingly, the reader is cautioned to verify that datasheets are current before placing orders. Information furnished by Intersil is believed to be accurate and reliable. However, no responsibility is assumed by Intersil or its subsidiaries for its use; nor for any infringements of patents or other rights of third parties which may result from its use. No license is granted by implication or otherwise under any patent or patent rights of Intersil or its subsidiaries.

For information regarding Intersil Corporation and its products, see <http://www.intersil.com>