

3.3-V LDO AND DUAL SWITCH FOR USB BUS-POWERED HUB POWER MANAGEMENT

FEATURES

- Complete Power Management Solution for USB Bus-Powered Hubs
- 3.3-V 200 mA Low-Dropout Voltage Regulator
- Two 5-V 340-mΩ (Typ) High-Side MOSFETs
- Independent Thermal- and Short-Circuit Protection for LDO and Each Switch
- Overcurrent Indicator With Transient Filter
- 2.9-V to 5.5-V Operating Range
- CMOS- and TTL-Compatible Enable Inputs
- 75-μA (Typ) Supply Current
- Available in 8-Pin MSOP (PowerPAD™)
- -40°C to 85°C Ambient Temperature Range

APPLICATIONS

- USB Bus-Powered Hubs
 - Keyboards
 - Monitors
 - Hub Boxes

DESCRIPTION

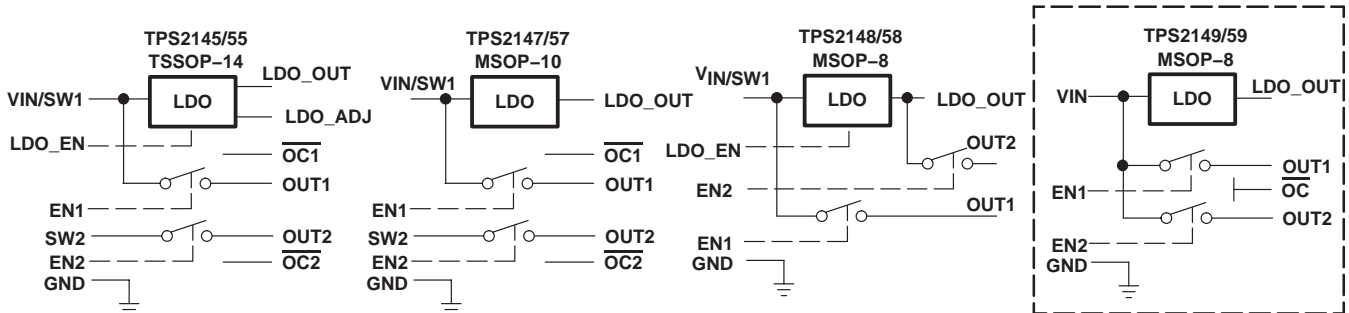
The TPS2149 incorporates two power distribution switches and an LDO in one small package, providing a USB bus-powered hub power management solution that saves up to 60% in board space over typical implementations.

The TPS2149 meets USB 2.0 bus-powered hub requirements. An integrated LDO regulates the 5-V bus power down to 3.3 V for the USB controller. The two MOSFET switches provide power to the downstream ports. With independent enables, the downstream ports remain unpowered until the hub completes enumeration.

Each power-distribution switch is capable of supplying 200 mA of continuous current, and the independent logic enables are compatible with 5-V logic and 3-V logic. The switches and the LDO are designed with controlled rise times and fall times to minimize current surges.

The TPS2149 has active-low enables while the TPS2159 has active-high enables.

LDO and dual switch family selection guide and schematics



Please be aware that an important notice concerning availability, standard warranty, and use in critical applications of Texas Instruments semiconductor products and disclaimers thereto appears at the end of this data sheet.

PowerPAD is a trademark of Texas Instruments.

PRODUCTION DATA information is current as of publication date. Products conform to specifications per the terms of Texas Instruments standard warranty. Production processing does not necessarily include testing of all parameters.

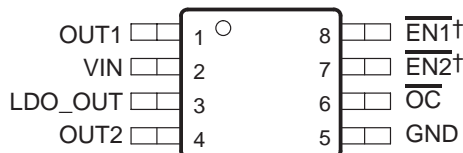
Copyright © 2001, Texas Instruments Incorporated

AVAILABLE OPTIONS

T _A	DESCRIPTION	PACKAGE AND PIN COUNT	PACKAGED DEVICES	
			ACTIVE LOW (SWITCH)	ACTIVE HIGH (SWITCH)
-40°C to 85°C	Adjustable LDO with LDO enable	TSSOP-14	TPS2145IPWP	TPS2155IPWP
	3.3-V fixed LDO	MSOP-10	TPS2147IDGQ	TPS2157IDGQ
	3.3-V Fixed LDO with LDO enable and LDO output switch	MSOP-8	TPS2148IDGN	TPS2158IDGN
	3.3-V Fixed LDO, shared input with switches	MSOP-8	TPS2149IDGN	TPS2159IDGN

NOTE: All options available taped and reeled. Add an R suffix (e.g. TPS2145IPWPR)

TPS2149, TPS2159
MSOP (DGN) PACKAGE
(TOP VIEW)



† Pins 7 and 8 are active high for TPS2159.

absolute maximum ratings over operating free-air temperature (unless otherwise noted)†

Input voltage range: V _{I(VIN)} , V _{I(ENx)}	-0.3 V to 6 V
Output voltage range: V _{O(OUTx)} , V _{O(LDO_OUT)} , V _{O(OC)}	-0.3 V to 6 V
Maximum output current, I _{O(OC)}	±10 mA
Continuous output current, I _{O(OUT)} , I _{O(LDO_OUT)}	Internally limited
Continuous total power dissipation	See Dissipation Rating Table
Operating virtual-junction temperature range, T _J	-40°C to 110°C
Storage temperature range, T _{stg}	-65°C to 150°C
Lead temperature soldering 1,6 mm (1/16 inch) from case for 10 seconds	260°C
Electrostatic discharge (ESD) protection: Human body model	2 kV
Charged device model (CDM)	1 kV

† Stresses beyond those listed under “absolute maximum ratings” may cause permanent damage to the device. These are stress ratings only, and functional operation of the device at these or any other conditions beyond those indicated under “recommended operating conditions” is not implied. Exposure to absolute-maximum-rated conditions for extended periods may affect device reliability.

‡ All voltages are with respect to GND.

DISSIPATION RATING TABLE

PACKAGE	T _A ≤ 25°C POWER RATING	DERATING FACTOR ABOVE T _A = 25°C	T _A = 70°C POWER RATING	T _A = 85°C POWER RATING
MSOP8	1455.5 mW	17.1 mW/°C	684.9 mW	428.08 mW

recommended operating conditions

		MIN	MAX	UNIT
Input voltage	$V_{I(VIN)}$	2.9	5.5	V
	$V_{I(ENx)}$	0	5.5	
Continuous output current, I_O	LDO_OUT		200	mA
	OUT1, OUT2		150	
Output current limit, $I_{O(LMT)}$	LDO_OUT	250	450	mA
	OUT1, OUT2	200	400	
Operating virtual-junction temperature range, T_J		-40	100	°C

**electrical characteristics over recommended operating junction-temperature range,
 $2.9\text{ V} \leq V_{I(VIN)} \leq 5.5\text{ V}$, $T_J = -40^\circ\text{C}$ to 100°C (unless otherwise noted)**

general

PARAMETER	TEST CONDITIONS		MIN	TYP	MAX	UNIT
Off-state supply current		$V_{I(ENx)} = 5\text{ V}$ (inactive), $V_{O(LDO_OUT)} = \text{no load}$, $V_{O(OUTx)} = \text{no load}$			100	μA
Forward leakage current (power switches only)	$V_{I(VIN)} = 5\text{ V}$	$V_{I(ENx)} = 5\text{ V}$ (inactive), $V_{O(LDO_OUT)} = \text{no load}$, $V_{O(OUTx)} = 0\text{ V}$ (measured from outputs to ground)			1	μA
I_I Total input current at VIN	$V_{I(VIN)} = 5\text{ V}$, No load on OUTx, No load on LDO_OUT	ENx = on (active)			150	μA
		ENx = off (inactive)			100	μA

power switches

PARAMETER	TEST CONDITIONS		MIN	TYP	MAX	UNIT
$r_{DS(on)}$ Static drain-source on-state resistance, VIN to OUTx	$I_{O(LDO_OUT)} = 200\text{ mA}$, $I_{O(OUT1)} \text{ and } I_{O(OUT2)} = 150\text{ mA}$, $T_J = -40^\circ\text{C}$ to 100°C				680	m Ω
	$I_{O(LDO_OUT)} = 200\text{ mA}$, $I_{O(OUT1)} \text{ and } I_{O(OUT2)} = 150\text{ mA}$, $T_J = 25^\circ\text{C}$			340		
$I_{lkg(R)}$ Reverse leakage current at OUTx	$V_{O(OUTx)} = 5\text{ V}$	$V_{I(ENx)} = 5\text{ V}$, $V_{I(ENx)} = 0\text{ V}$, $V_{I(VIN)} = 5\text{ V}$			10	μA
		$V_{I(ENx)} = 5\text{ V}$, $V_{I(ENx)} = 0\text{ V}$, $V_{I(VIN)} = 2.9\text{ V}$			10	
		$V_{I(ENx)} = 5\text{ V}$, $V_{I(ENx)} = 0\text{ V}$, $V_{I(VIN)} = 0\text{ V}$			10	
I_{OS} Short circuit output current	OUTx connected to GND, device enabled into short circuit		0.2		0.4	A
Delay time for asserting \overline{OC} flag	From IOUTx at 95% of current limit level to 50% \overline{OC} .			5.5		ms
Delay time for deasserting \overline{OC} flag	From IOUTx at 95% of current limit level to 50% \overline{OC} .			10.5		ms

NOTE 1: Specified by design, not tested in production.

**electrical characteristics over recommended operating junction-temperature range,
2.9 V ≤ V_{I(VIN)} ≤ 5.5 V, T_J = -40°C to 100°C (unless otherwise noted)**

timing parameters, power switches

PARAMETER		TEST CONDITIONS		MIN	TYP	MAX	UNIT
t _{on}	Turnon time, OUTx switch, (see Note 1)	C _L = 100 μF	R _L = 33 Ω	0.5		6	ms
		C _L = 1 μF		0.1		3	
t _{off}	Turnoff time, OUTx switch (see Note 1)	C _L = 100 μF	R _L = 33 Ω	5.5		10	
		C _L = 1 μF		0.05		2	
t _r	Rise time, OUTx switch (see Note 1)	C _L = 100 μF	R _L = 33 Ω	0.5		5	
		C _L = 1 μF		0.1		2	
t _f	Fall time, OUTx switch (see Note 1)	C _L = 100 μF	R _L = 33 Ω	5.5		9	
		C _L = 1 μF		0.05		1.2	

NOTE 1. Specified by design, not tested in production.

undervoltage lockout at VIN

PARAMETER	TEST CONDITIONS	MIN	TYP	MAX	UNIT
UVLO Threshold		2.2		2.85	V
Hysteresis (see Note 1)			260		mV
Deglitch (see Note 1)		50			μs

NOTE 1. Specified by design, not tested in production.

**electrical characteristics over recommended operating junction-temperature range,
2.9 V ≤ V_{I(VIN)} ≤ 5.5 V, V_{I(ENx)} = 0 V, V_{I(LDO_EN)} = 5 V, C_{L(LDO_OUT)} = 10 μF, T_J = -40°C to 100°C
(unless otherwise noted)**

3.3 V LDO

PARAMETER	TEST CONDITIONS†	MIN	TYP	MAX	UNIT
V _O	Output voltage, dc V _{I(VIN)} = 4.25 V to 5.25 V, I _{O(LDO_OUT)} = 0.5 mA to 200 mA	3.20	3.3	3.40	V
Dropout voltage	V _{I(VIN)} = 3.2 V, I _{O(OUT1)} = 150 mA, I _{O(LDO_OUT)} = 200 mA			0.35	V
Line regulation voltage (see Note 1)	V _{I(VIN)} = 4.25 V to 5.25 V, I _{O(LDO_OUT)} = 5 mA			0.1	%/V
Load regulation voltage (see Note 1)	V _{I(VIN)} = 4.25 V, I _{O(LDO_OUT)} = 5 mA to 200 mA		0.4	1%	
I _{OS}	Short-circuit current limit V _{I(VIN)} = 4.25 V, LDO_OUT connected to GND	0.275	0.33	0.55	A
I _{lkg(R)}	Reverse leakage current into LDO_OUT V _{O(LDO_OUT)} = 3.3 V, V _{I(IN)} = 0 V		10		μA
	V _{O(LDO_OUT)} = 5.5 V, V _{I(IN)} = 0 V		10		μA
Power supply rejection	f = 1 kHz, C _{L(LDO_OUT)} = 4.7 μF, ESR = 0.25 Ω, I _O = 5 mA, V _{INp-p} = 100 mV		50		dB
Ramp-up time, LDO_OUT (0% to 90%)	V _{IN} ramping up from 10% to 90% in 0.1 ms, R _L = 16 Ω, C _{L(LDO_OUT)} = 10 μF	0.1		1	ms

† Pulse-testing techniques maintain junction temperature close to ambient temperature; thermal effects must be taken into account separately.

NOTES: 1. Specified by design, not tested in production.

**electrical characteristics over recommended operating junction-temperature range,
2.9 V ≤ V_{I(VIN)} ≤ 5.5 V, V_{I(ENx)} = 0 V, T_J = –40°C to 100°C (unless otherwise noted)**

enable input, \overline{ENx} (active low)

PARAMETER	TEST CONDITIONS	MIN	TYP	MAX	UNIT
V _{IH} High-level input voltage		2			V
V _{IL} Low-level input voltage				0.8	V
I _I Input current, pullup (source)	V _{I(\overline{ENx})} = 0 V			5	μA

enable input, ENx (active high)

PARAMETER	TEST CONDITIONS	MIN	TYP	MAX	UNIT
V _{IH} High-level input voltage		2			V
V _{IL} Low-level input voltage				0.8	V
I _I Input current, pulldown (sink)	V _{I(ENx)} = 5 V			5	μA

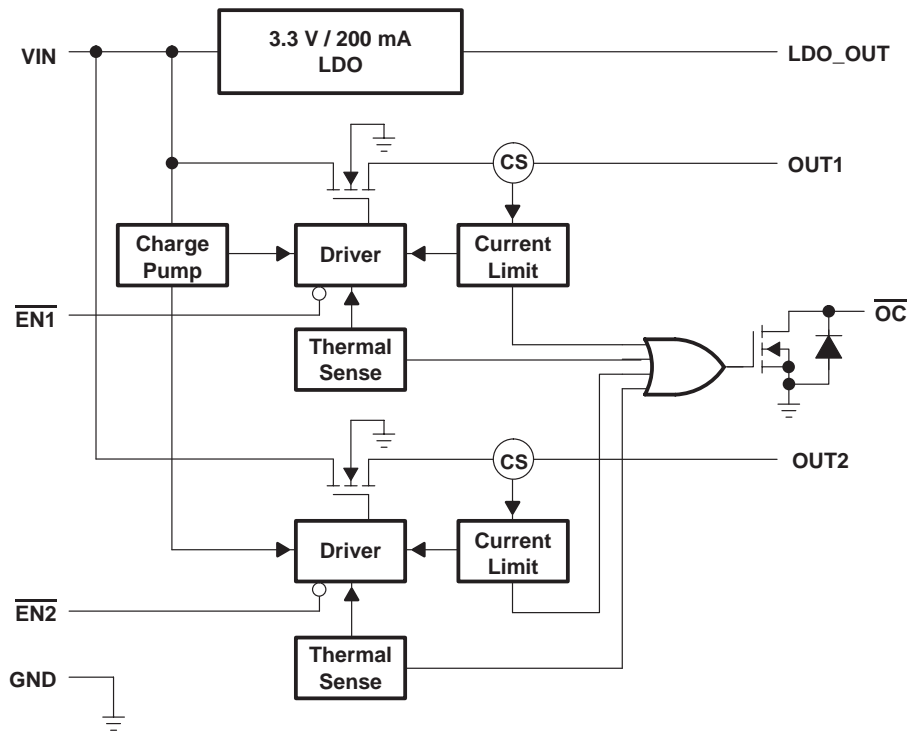
logic output, \overline{OC}

PARAMETER	TEST CONDITIONS	MIN	TYP	MAX	UNIT
Current sinking at V _O = 0.4 V		1			mA

thermal shutdown characteristics

PARAMETER	TEST CONDITIONS	MIN	TYP	MAX	UNIT
First thermal shutdown (shuts down switch or regulator in overcurrent)	Occurs at or above specified temperature when overcurrent is present.	120			°C
Recovery from thermal shutdown		110			
Second thermal shutdown (shuts down all switches and regulator)	Occurs on rising temperature, irrespective of overcurrent.	155			
Second thermal shutdown hysteresis			10		

TPS2149 functional block diagram



Terminal Functions

TERMINAL		I/O	DESCRIPTION
NAME	NO.		
	TPS2149	TPS2159	
EN1		8	I Logic level enable to transfer power to OUT1
$\overline{\text{EN1}}$	8		
EN2		7	I Logic level enable to transfer power to OUT2
$\overline{\text{EN2}}$	7		
GND	5	5	Ground
LDO_OUT	3	3	O LDO output
OC	6	6	O Overcurrent status flag for OUT1 and OUT2. Open drain output.
OUT1	1	1	O Switch 1 output
OUT2	4	4	O Switch 2 output
VIN	2	2	I Input for LDO switch 1 and switch 2; device supply voltage

detailed description

VIN

The VIN serves as the input to the internal LDO and as the input to both N-channel MOSFETs. The 3.3-V LDO has a dropout voltage of 0.35 V and is rated for 200 mA of continuous current. The power switches are N-channel MOSFETs with a maximum on-state resistance of 580 mΩ per switch. Configured as high-side switches, the power switches prevent current flow from OUT to IN and IN to OUT when disabled. The power switches are rated at 150 mA, continuous current.

OUTx

OUT1 and OUT2 are the outputs from the internal power-distribution switches.

LDO_OUT

LDO_OUT is the output of the internal 200-mA LDO.

enable (\overline{ENx} , ENx)

The logic enable disables the power switch. Both switches have independent enables and are compatible with both TTL and CMOS logic.

overcurrent (\overline{OC})

The \overline{OC} open drain output is asserted (active low) when an overcurrent or overtemperature condition is encountered. The output will remain asserted until the overcurrent or overtemperature condition is removed.

current sense

A sense FET monitors the current supplied to the load. Current is measured more efficiently by the sense FET than by conventional resistance methods. When an overload or short circuit is encountered, the current-sense circuitry sends a control signal to the driver. The driver in turn reduces the gate voltage and drives the power FET into its saturation region, which switches the output into a constant-current mode and holds the current constant while varying the voltage on the load.

thermal sense

A dual-threshold thermal trip is implemented to allow fully independent operation of the power distribution switches. In an overcurrent or short-circuit condition, the junction temperature rises. When the die temperature rises to approximately 120°C, the internal thermal sense circuitry determines which power switch is in an overcurrent condition and turns off that switch, thus isolating the fault without interrupting operation of the adjacent power switch. Because hysteresis is built into the thermal sense, the switch turns back on after the device has cooled approximately 10 degrees. The switch continues to cycle off and on until the fault is removed.

undervoltage lockout

A voltage sense circuit monitors the input voltage. When the input voltage is below approximately 2.5 V, a control signal turns off the power switch.

PARAMETER MEASUREMENT INFORMATION

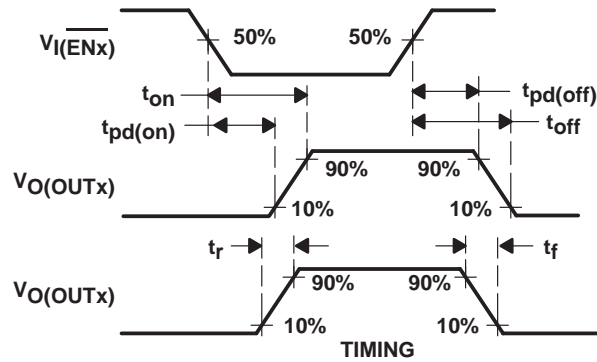


Figure 1. Timing and Internal Voltage Regulator Transition Waveforms

TYPICAL CHARACTERISTICS

SWITCH TURNON DELAY AND RISE TIME WITH 1-μF LOAD

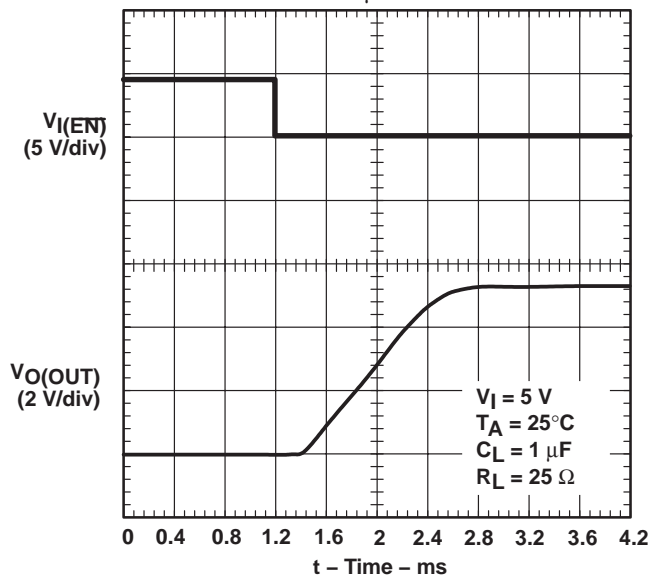


Figure 2

SWITCH TURNOFF DELAY AND FALL TIME WITH 1-μF LOAD

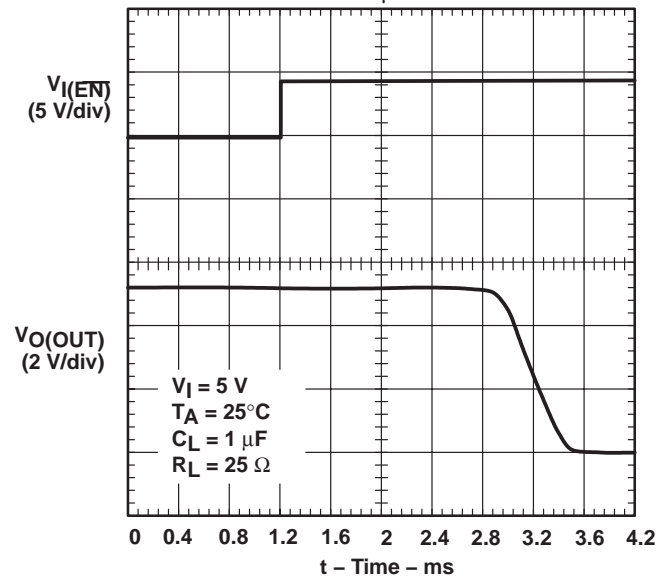


Figure 3

TYPICAL CHARACTERISTICS

SWITCH TURNON DELAY AND RISE TIME
WITH 120- μ F LOAD

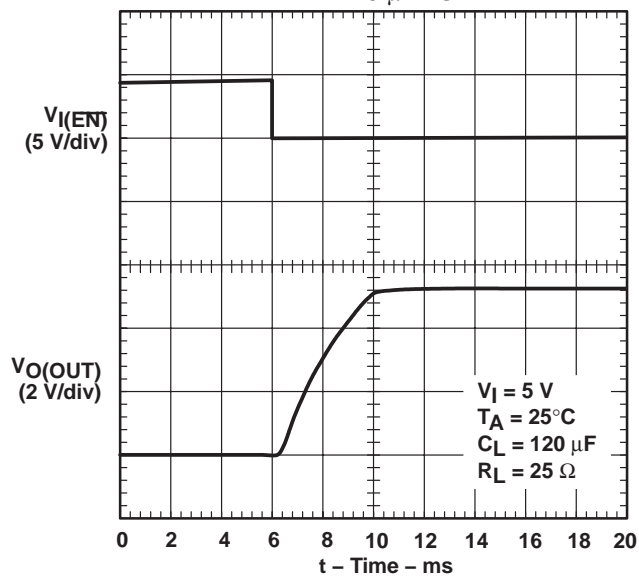


Figure 4

SWITCH TURNOFF DELAY AND FALL TIME
WITH 120- μ F LOAD

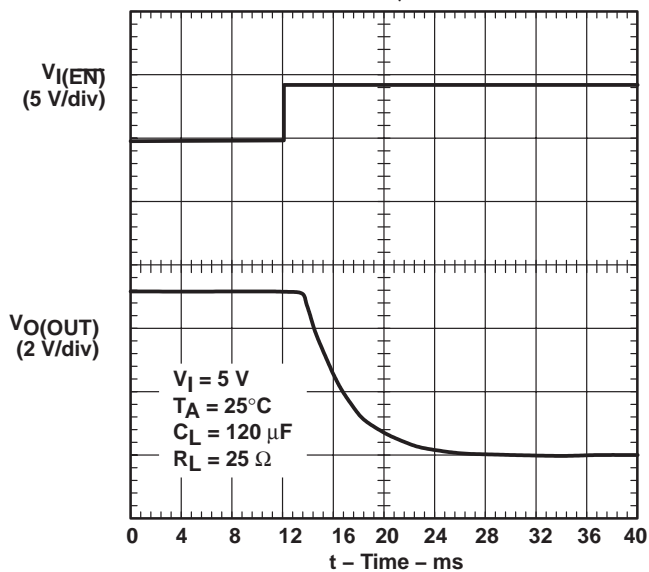


Figure 5

SHORT-CIRCUIT CURRENT, SWITCH
ENABLED INTO A SHORT

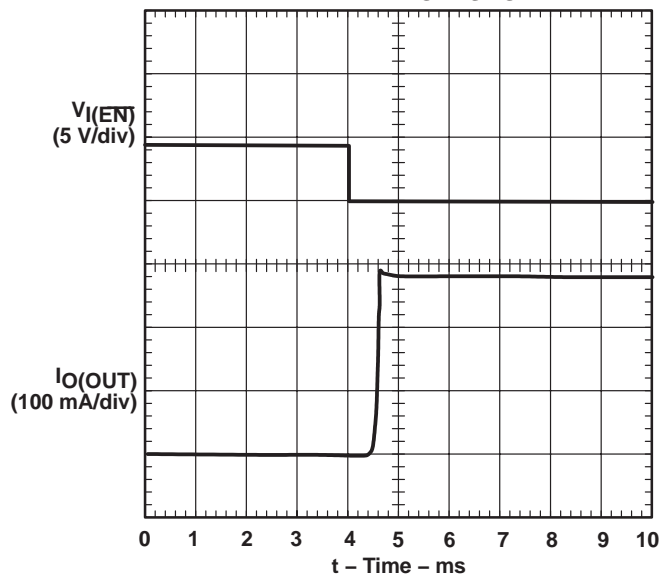


Figure 6

LDO TURNON DELAY AND RISE TIME
WITH 4.7- μ F LOAD

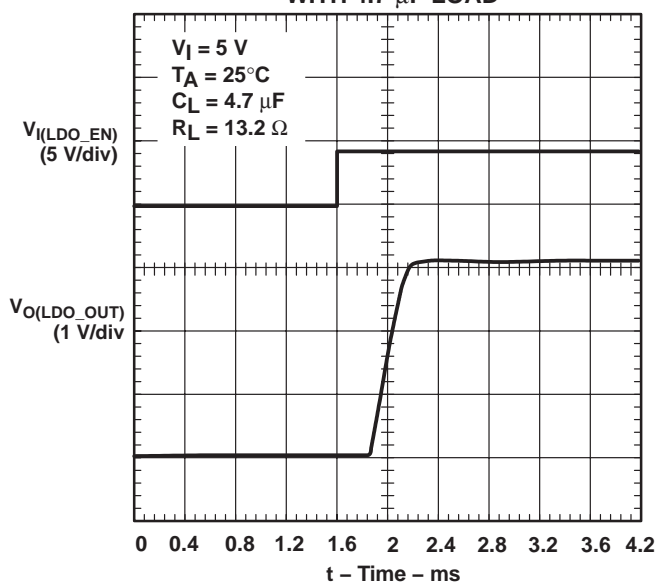


Figure 7

TYPICAL CHARACTERISTICS

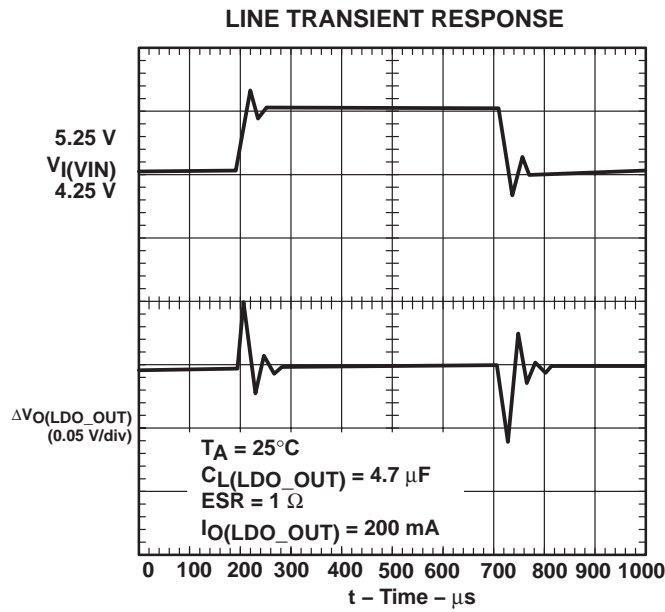


Figure 8

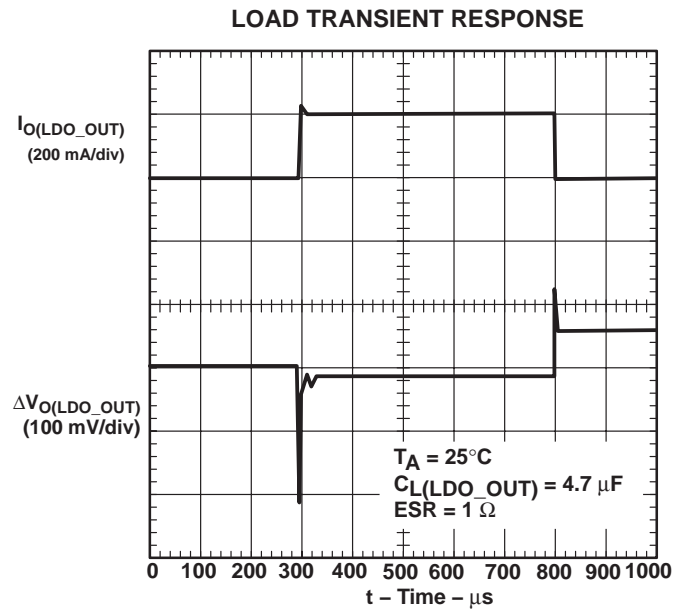


Figure 9

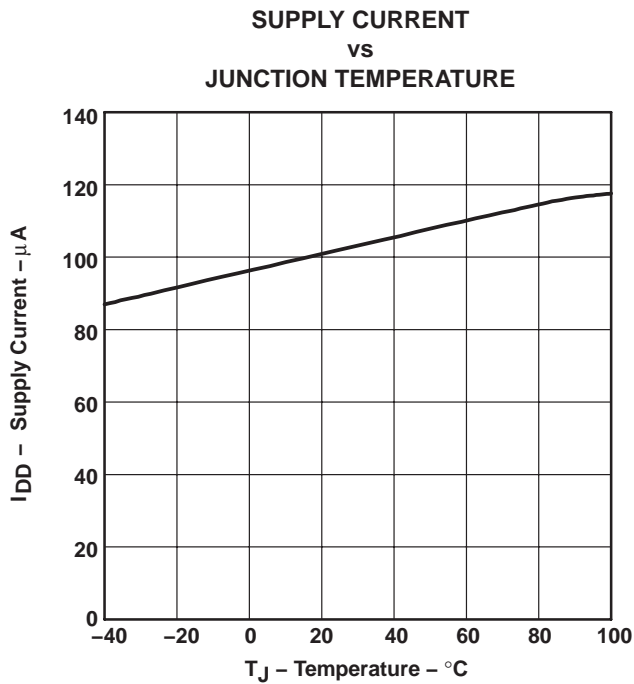


Figure 10

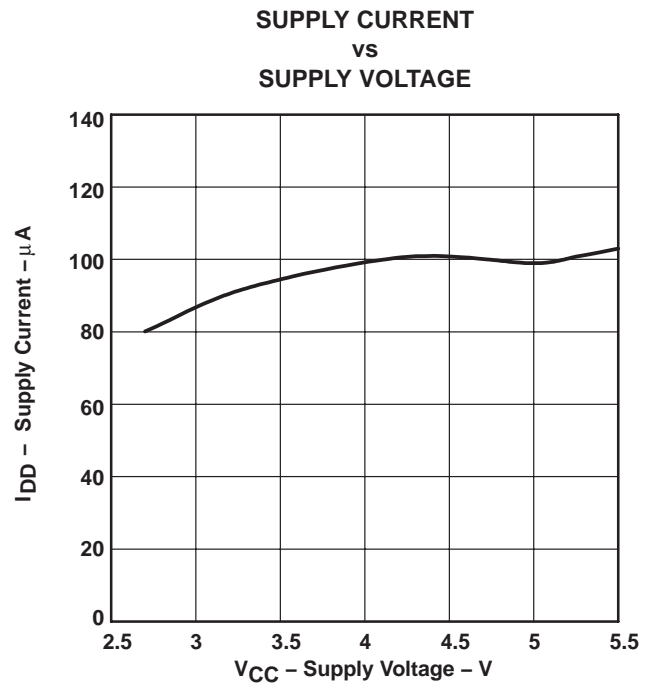


Figure 11

TYPICAL CHARACTERISTICS

STATIC DRAIN-SOURCE ON-STATE RESISTANCE
vs
JUNCTION TEMPERATURE

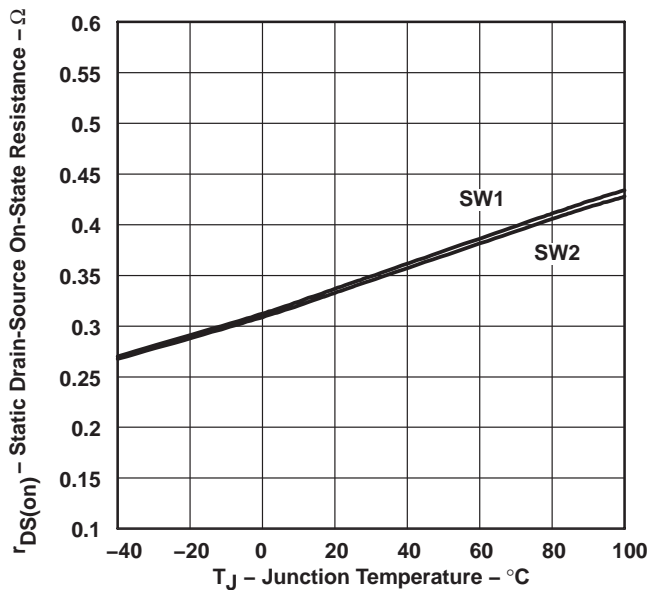


Figure 12

STATIC DRAIN-SOURCE ON-STATE RESISTANCE
vs
SUPPLY VOLTAGE

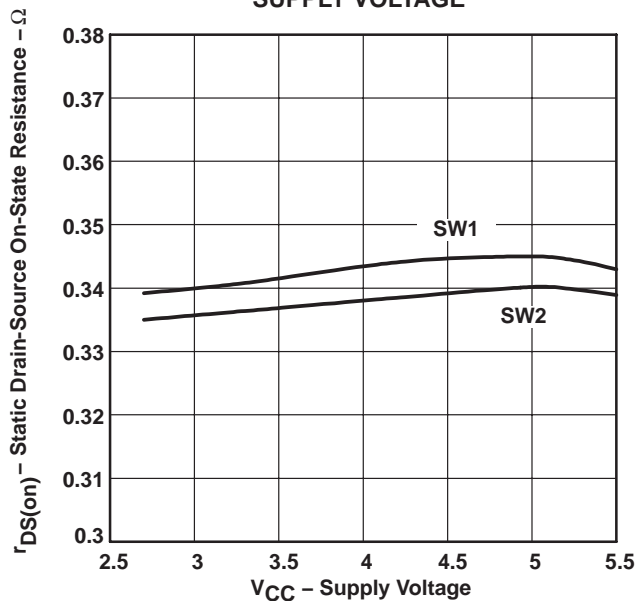


Figure 13

SHORT CIRCUIT CURRENT
vs
JUNCTION TEMPERATURE

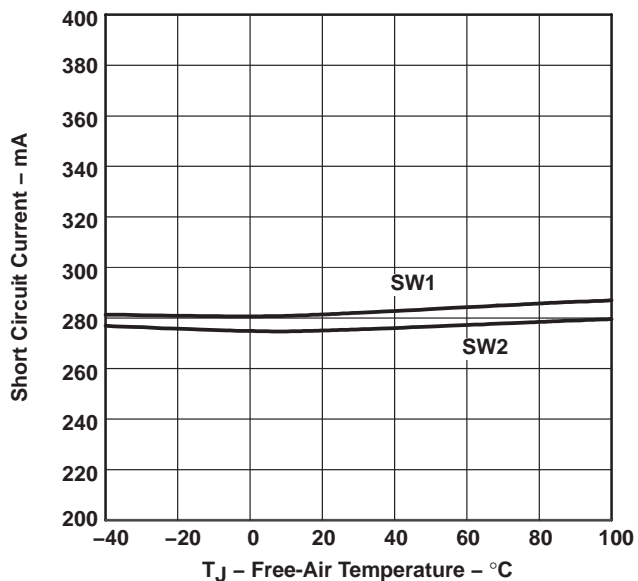


Figure 14

SHORT CIRCUIT CURRENT
vs
SUPPLY VOLTAGE

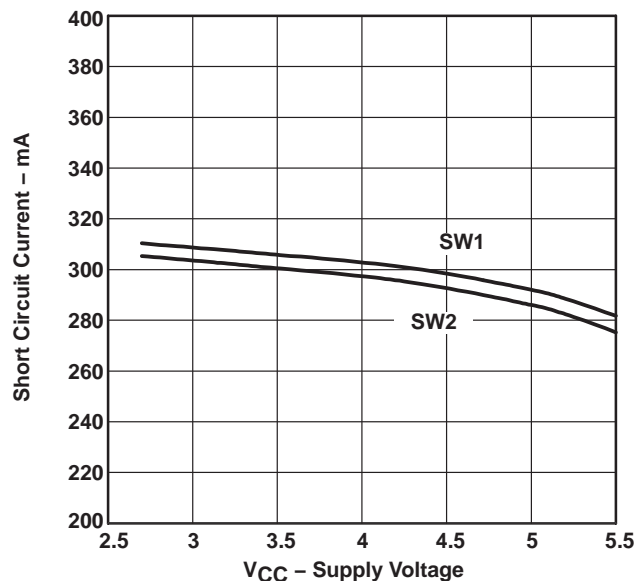


Figure 15

TYPICAL CHARACTERISTICS

**UNDERVOLTAGE LOCKOUT
vs
JUNCTION TEMPERATURE**

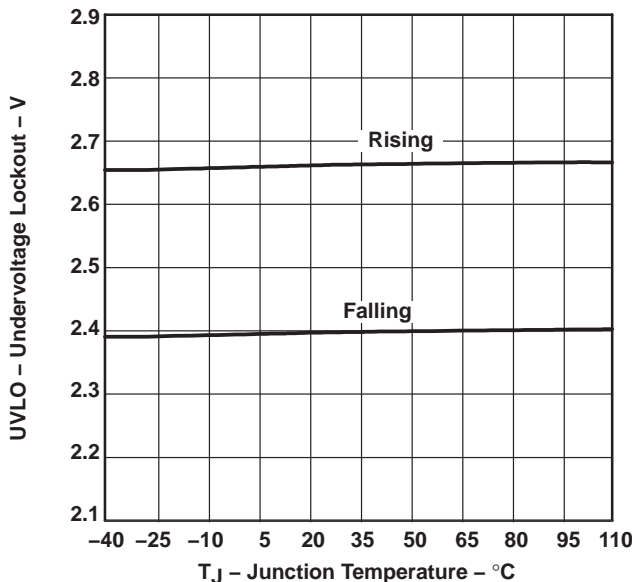


Figure 16

APPLICATION INFORMATION

external capacitor requirements on power lines

A ceramic bypass capacitor (0.01- μ F to 0.1- μ F) between VIN and GND, close to the device, is recommended to improve load transient response and noise rejection.

A bulk capacitor (4.7- μ F) between VIN and GND is also recommended, especially if load transients in the hundreds of milliamps with fast rise times are anticipated.

A 66- μ F bulk capacitor is recommended from OUTx to ground, especially when the output load is heavy. This precaution helps reduce transients seen on the power rails. Additionally, bypassing the outputs with a 0.1- μ F ceramic capacitor improves the immunity of the device to short-circuit transients.

LDO output capacitor requirements

Stabilizing the internal control loop requires an output capacitor connected between LDO_OUT and GND. The minimum recommended capacitance is a 4.7 μ F with an ESR value between 200 m Ω and 10 Ω . Solid tantalum electrolytic, aluminum electrolytic, and multilayer ceramic capacitors are all suitable, provided they meet the ESR requirements.

overcurrent

A sense FET is used to measure current through the device. Unlike current-sense resistors, sense FETs do not increase the series resistance of the current path. When an overcurrent condition is detected, the device maintains a constant output current. Complete shut down occurs only if the fault is present long enough to activate thermal limiting.

Three possible overload conditions can occur. In the first condition, the output is shorted before the device is enabled or before VIN has been applied. The TPS2149 and TPS2159 sense the short and immediately switches to a constant-current output.

APPLICATION INFORMATION

overcurrent (continued)

In the second condition, the short occurs while the device is enabled. At the instant the short occurs, very high currents may flow for a very short time before the current-limit circuit can react. After the current-limit circuit has tripped (reached the overcurrent trip threshold), the device switches into constant-current mode.

In the third condition, the load has been gradually increased beyond the recommended operating current. The current is permitted to rise until the current-limit threshold is reached or until the thermal limit of the device is exceeded. The TPS2149 and TPS2159 are capable of delivering current up to the current-limit threshold without damaging the device. Once the threshold has been reached, the device switches into its constant-current mode.

\overline{OC} response

The \overline{OC} open-drain output is asserted (active low) when an overcurrent condition is encountered. The output will remain asserted until the overcurrent condition is removed. Connecting a heavy capacitive load to an enabled device can cause momentary false overcurrent reporting from the inrush current flowing through the device, charging the downstream capacitor. The TPS2149 and TPS2159 are designed to reduce false overcurrent reporting. An internal overcurrent transient filter eliminates the need for external components to remove unwanted pulses. Using low-ESR electrolytic capacitors on OUTx lowers the inrush current flow through the device during hot-plug events by providing a low-impedance energy source, also reducing erroneous overcurrent reporting.

power dissipation and junction temperature

The main source of power dissipation for the TPS2149 and TPS2159 comes from the internal voltage regulator and the N-channel MOSFETs. Checking the power dissipation and junction temperature is always a good design practice and it starts with determining the $r_{DS(on)}$ of the N-channel MOSFET according to the input voltage and operating temperature. As an initial estimate, use the highest operating ambient temperature of interest and read $r_{DS(on)}$ from the graphs shown in the Typical Characteristics section of this data sheet. Using this value, the power dissipation per switch can be calculated using:

$$P_D = r_{DS(on)} \times I^2 \quad (1)$$

Multiply this number by two to get the total power dissipation coming from the N-channel MOSFETs.

The power dissipation for the internal voltage regulator is calculated using:

$$P_D = (V_I - V_{O(min)}) \times I_O \quad (2)$$

The total power dissipation for the device becomes:

$$P_{D(total)} = P_{D(voltage\ regulator)} + (2 \times P_{D(switch)}) \quad (3)$$

Finally, calculate the junction temperature:

$$T_J = P_D \times R_{\theta JA} + T_A \quad (4)$$

Where:

T_A = Ambient temperature °C

$R_{\theta JA}$ = Thermal resistance °C/W, equal to inverting the derating factor found on the power dissipation table in this datasheet.

APPLICATION INFORMATION

Compare the calculated junction temperature with the initial estimate. If they do not agree within a few degrees, repeat the calculation, using the calculated value as the new estimate. Two or three iterations are generally sufficient to get a reasonable answer.

thermal protection

Thermal protection prevents damage to the IC when heavy-overload or short-circuit faults are present for extended periods of time. The faults force the TPS2149 and TPS2159 into constant-current mode at first, which causes the voltage across the high-side switch to increase; under short-circuit conditions, the voltage across the switch is equal to the input voltage. The increased dissipation causes the junction temperature to rise to high levels.

The protection circuit senses the junction temperature of the switch and shuts it off. Hysteresis is built into the thermal sense circuit, and after the device has cooled approximately 10 degrees, the switch turns back on. The switch continues to cycle in this manner until the load fault or input power is removed.

The TPS2149 and TPS2159 implement a dual thermal trip to allow fully independent operation of the power distribution switches. In an overcurrent or short-circuit condition the junction temperature will rise. Once the die temperature rises to approximately 120°C, the internal thermal sense circuitry checks which power switch is in an overcurrent condition and turns that power switch off, thus isolating the fault without interrupting operation of the adjacent power switch. Should the die temperature exceed the first thermal trip point of 120°C and reach 155°C, the device will turn off.

undervoltage lockout (UVLO)

An undervoltage lockout ensures that the device (LDO and switches) is in the off state at power up. The UVLO will also keep the device from being turned on until the power supply has reached the start threshold (see undervoltage lockout table), even if the switches are enabled. The UVLO will also be activated whenever the input voltage falls below the stop threshold as defined in the undervoltage lockout table. This facilitates the design of hot-insertion systems where it is not possible to turn off the power switches before input power is removed. Upon reinsertion, the power switches will be turned on with a controlled rise time to reduce EMI and voltage overshoots.

universal serial bus (USB) applications

The universal serial bus (USB) interface is a multiplexed serial bus operating at either 12 Mb/s, or 1.5 Mb/s for USB 1.1, or 480 Mb/s for USB 2.0. The USB interface is designed to accommodate the bandwidth required by PC peripherals such as keyboards, printers, scanners, and mice. The four-wire USB interface was conceived for dynamic attach-detach (hot plug-unplug) of peripherals. Two lines are provided for differential data, and two lines are provided for 5-V power distribution.

USB data is a 3.3-V level signal, but power is distributed at 5 V to allow for voltage drops in cases where power is distributed through more than one hub or across long cables. Each function must provide its own regulated 3.3 V from the 5-V input or its own internal power supply.

The USB specification defines the following five classes of devices, each differentiated by power-consumption requirements:

- Hosts/self-powered hubs (SPH)
- Bus-powered hubs (BPH)
- Low-power, bus-powered functions
- High-power, bus-powered functions
- Self-powered functions

APPLICATION INFORMATION

universal serial bus (USB) applications (continued)

The TPS2149 and TPS2159 are well suited for USB bus-powered hub applications. The internal LDO can be used to provide the 3.3 V power needed by the controller while the dual switches distribute power to the downstream functions.

USB power distribution requirements

USB can be implemented in several ways, and, regardless of the type of USB device being developed, several power-distribution features must be implemented.

- Hosts/self-powered hubs must:
 - Current-limit downstream ports
 - Report overcurrent conditions on USB V_{BUS}
- Bus-powered hubs must:
 - Enable/disable power to downstream ports
 - Power up at <100 mA
 - Limit inrush current (<44 Ω and 10 μ F)
- Functions must:
 - Limit inrush currents
 - Power up at <100 mA

The feature set of the TPS2149 and TPS2159 is designed to help USB bus-powered hubs meet the requirements. The integrated current-limiting and overcurrent reporting is required by hosts and self-powered hubs. The logic-level enable and controlled rise times meet the need of both input and output ports on bus-powered hubs, as well as the input ports for bus-powered functions.

USB applications

Figure 17 shows the TPS2149 being used in a USB bus-powered two-port hub design. The internal 3.3-V LDO is used to provide power for the USB function controller as well as to the 1.5-k Ω pullup resistor.

Switches 1 and 2 provide power to the downstream ports. Both are separately enabled to control power being sent downstream. They are also disabled during enumeration to satisfy the 100 mA requirement.

Figure 18 shows the TPS2149 being used in a USB bus-powered four-port hub design. The internal 3.3-V LDO is used to provide power for the USB function controller as well as to the 1.5 k Ω pullup resistor.

APPLICATION INFORMATION

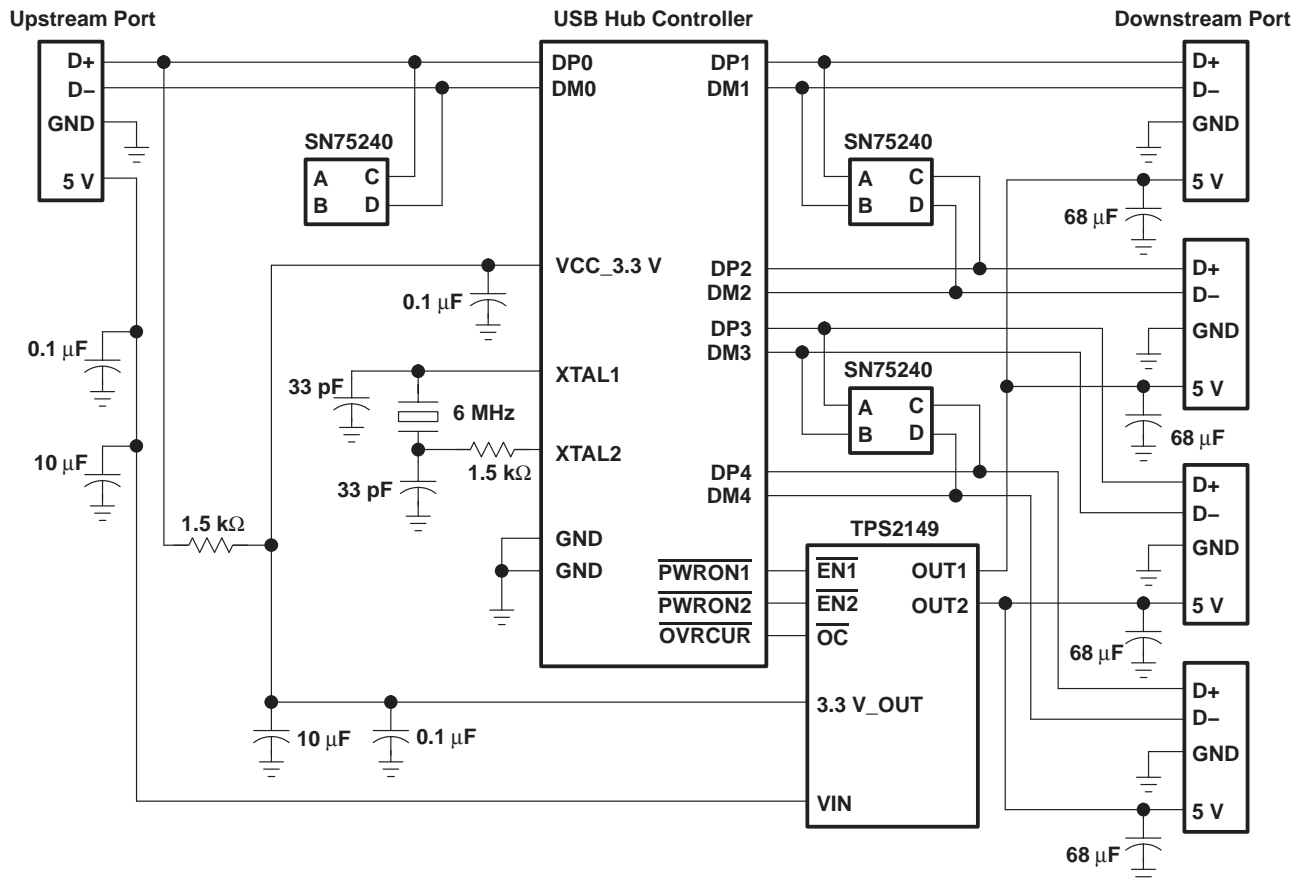


Figure 17. Example of a Two Port Hub Design With TPS2149

APPLICATION INFORMATION

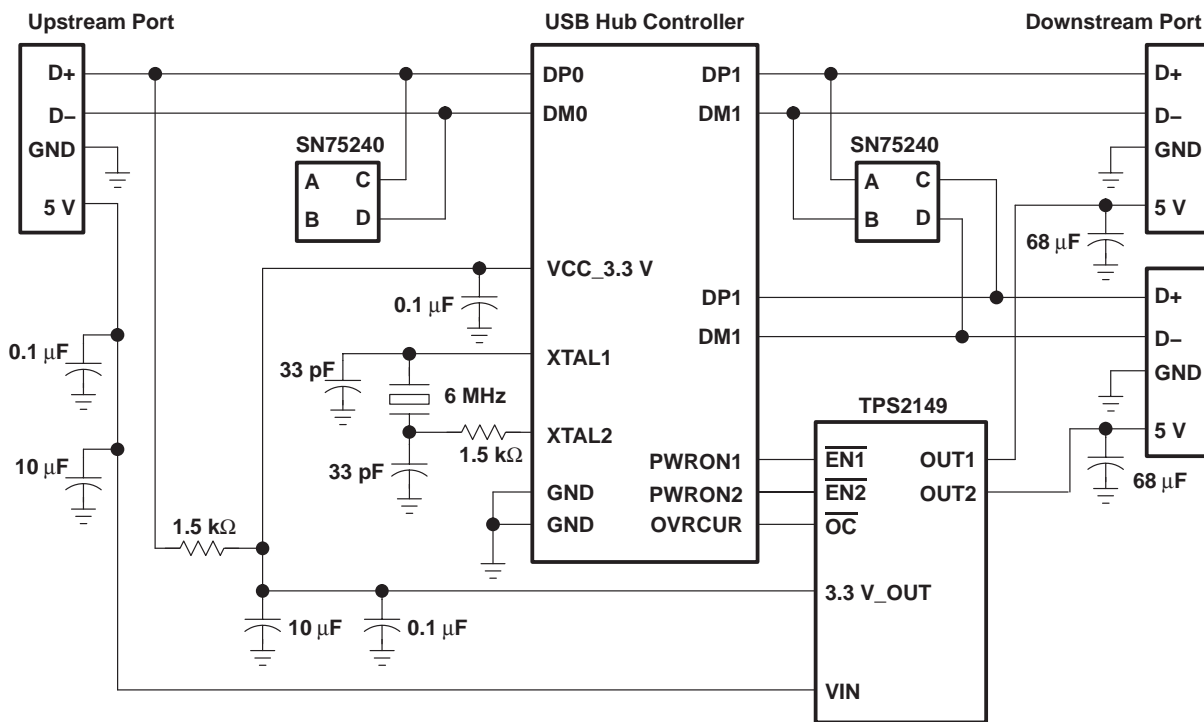


Figure 18. Example of a 4 Port Hub Design With TPS2149

PACKAGING INFORMATION

Orderable Device	Status (1)	Package Type	Package Drawing	Pins	Package Qty	Eco Plan (2)	Lead/Ball Finish	MSL Peak Temp (3)	Op Temp (°C)	Top-Side Markings (4)	Samples
TPS2149IDGN	ACTIVE	MSOP-PowerPAD	DGN	8	80	Green (RoHS & no Sb/Br)	CU NIPDAU	Level-1-260C-UNLIM	-40 to 85	AXD	Samples
TPS2149IDGNG4	ACTIVE	MSOP-PowerPAD	DGN	8	80	Green (RoHS & no Sb/Br)	CU NIPDAU	Level-1-260C-UNLIM	-40 to 85	AXD	Samples
TPS2149IDGNR	OBSOLETE	MSOP-PowerPAD	DGN	8		TBD	Call TI	Call TI	-40 to 85	AXD	
TPS2149IDGNRG4	OBSOLETE	MSOP-PowerPAD	DGN	8		TBD	Call TI	Call TI	-40 to 85		
TPS2159IDGN	ACTIVE	MSOP-PowerPAD	DGN	8	80	Green (RoHS & no Sb/Br)	CU NIPDAU	Level-1-260C-UNLIM	-40 to 85	AXE	Samples
TPS2159IDGNG4	ACTIVE	MSOP-PowerPAD	DGN	8	80	Green (RoHS & no Sb/Br)	CU NIPDAU	Level-1-260C-UNLIM	-40 to 85	AXE	Samples

(1) The marketing status values are defined as follows:

ACTIVE: Product device recommended for new designs.

LIFEBUY: TI has announced that the device will be discontinued, and a lifetime-buy period is in effect.

NRND: Not recommended for new designs. Device is in production to support existing customers, but TI does not recommend using this part in a new design.

PREVIEW: Device has been announced but is not in production. Samples may or may not be available.

OBSOLETE: TI has discontinued the production of the device.

(2) Eco Plan - The planned eco-friendly classification: Pb-Free (RoHS), Pb-Free (RoHS Exempt), or Green (RoHS & no Sb/Br) - please check <http://www.ti.com/productcontent> for the latest availability information and additional product content details.

TBD: The Pb-Free/Green conversion plan has not been defined.

Pb-Free (RoHS): TI's terms "Lead-Free" or "Pb-Free" mean semiconductor products that are compatible with the current RoHS requirements for all 6 substances, including the requirement that lead not exceed 0.1% by weight in homogeneous materials. Where designed to be soldered at high temperatures, TI Pb-Free products are suitable for use in specified lead-free processes.

Pb-Free (RoHS Exempt): This component has a RoHS exemption for either 1) lead-based flip-chip solder bumps used between the die and package, or 2) lead-based die adhesive used between the die and leadframe. The component is otherwise considered Pb-Free (RoHS compatible) as defined above.

Green (RoHS & no Sb/Br): TI defines "Green" to mean Pb-Free (RoHS compatible), and free of Bromine (Br) and Antimony (Sb) based flame retardants (Br or Sb do not exceed 0.1% by weight in homogeneous material)

(3) MSL, Peak Temp. -- The Moisture Sensitivity Level rating according to the JEDEC industry standard classifications, and peak solder temperature.

(4) Only one of markings shown within the brackets will appear on the physical device.

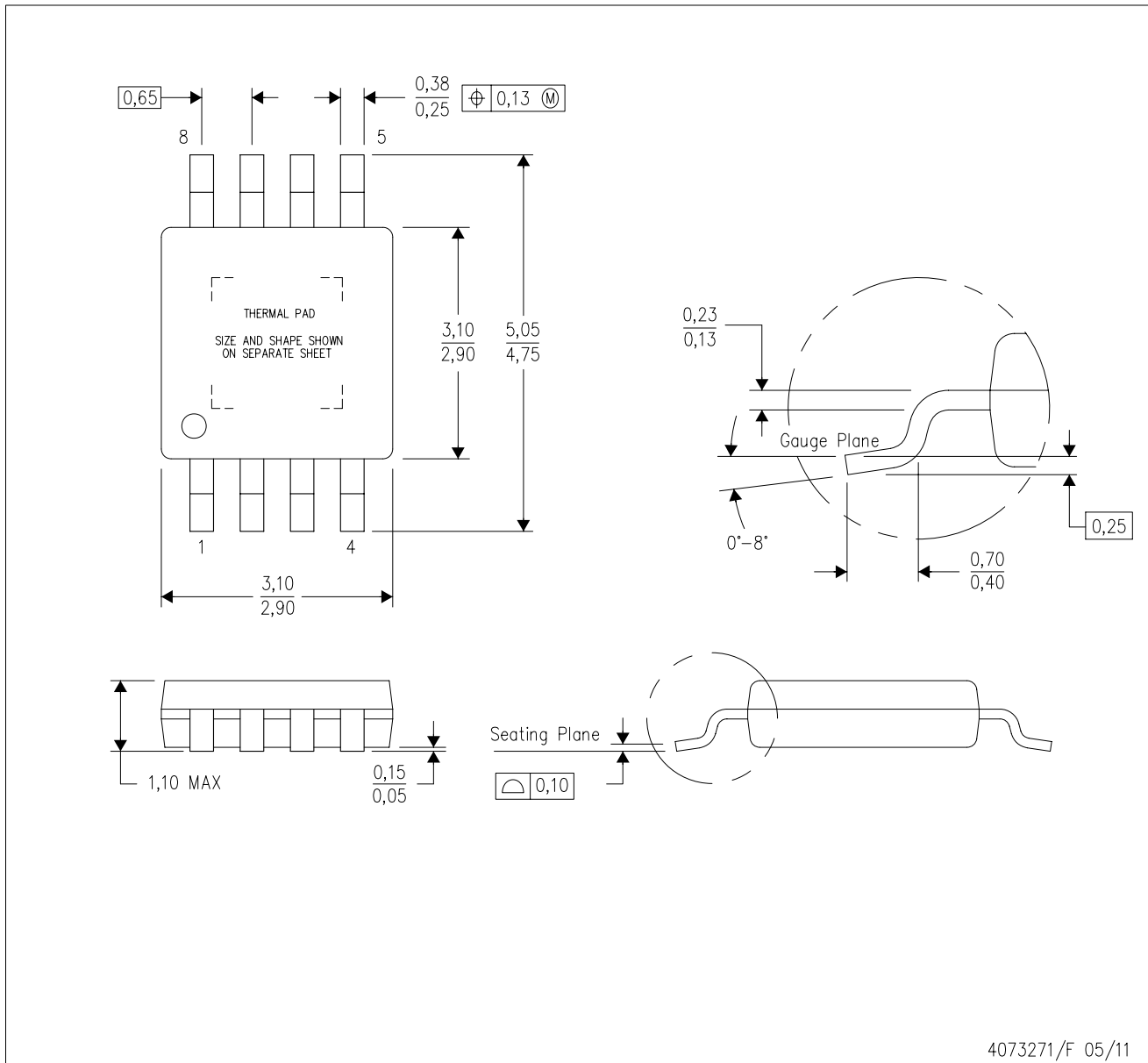
Important Information and Disclaimer: The information provided on this page represents TI's knowledge and belief as of the date that it is provided. TI bases its knowledge and belief on information provided by third parties, and makes no representation or warranty as to the accuracy of such information. Efforts are underway to better integrate information from third parties. TI has taken and

continues to take reasonable steps to provide representative and accurate information but may not have conducted destructive testing or chemical analysis on incoming materials and chemicals. TI and TI suppliers consider certain information to be proprietary, and thus CAS numbers and other limited information may not be available for release.

In no event shall TI's liability arising out of such information exceed the total purchase price of the TI part(s) at issue in this document sold by TI to Customer on an annual basis.

DGN (S-PDSO-G8)

PowerPAD™ PLASTIC SMALL OUTLINE



- NOTES:
- All linear dimensions are in millimeters.
 - This drawing is subject to change without notice.
 - Body dimensions do not include mold flash or protrusion.
 - This package is designed to be soldered to a thermal pad on the board. Refer to Technical Brief, PowerPad Thermally Enhanced Package, Texas Instruments Literature No. SLMA002 for information regarding recommended board layout. This document is available at www.ti.com <<http://www.ti.com>>.
 - See the additional figure in the Product Data Sheet for details regarding the exposed thermal pad features and dimensions.
 - Falls within JEDEC MO-187 variation AA-T

PowerPAD is a trademark of Texas Instruments.

DGN (S-PDSO-G8)

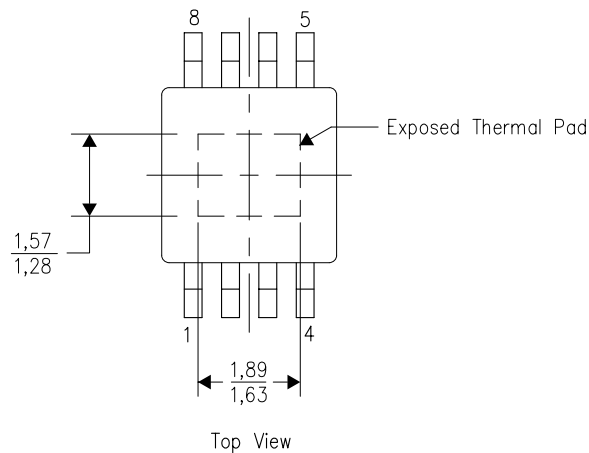
PowerPAD™ PLASTIC SMALL OUTLINE

THERMAL INFORMATION

This PowerPAD™ package incorporates an exposed thermal pad that is designed to be attached to a printed circuit board (PCB). The thermal pad must be soldered directly to the PCB. After soldering, the PCB can be used as a heatsink. In addition, through the use of thermal vias, the thermal pad can be attached directly to the appropriate copper plane shown in the electrical schematic for the device, or alternatively, can be attached to a special heatsink structure designed into the PCB. This design optimizes the heat transfer from the integrated circuit (IC).

For additional information on the PowerPAD package and how to take advantage of its heat dissipating abilities, refer to Technical Brief, PowerPAD Thermally Enhanced Package, Texas Instruments Literature No. SLMA002 and Application Brief, PowerPAD Made Easy, Texas Instruments Literature No. SLMA004. Both documents are available at www.ti.com.

The exposed thermal pad dimensions for this package are shown in the following illustration.

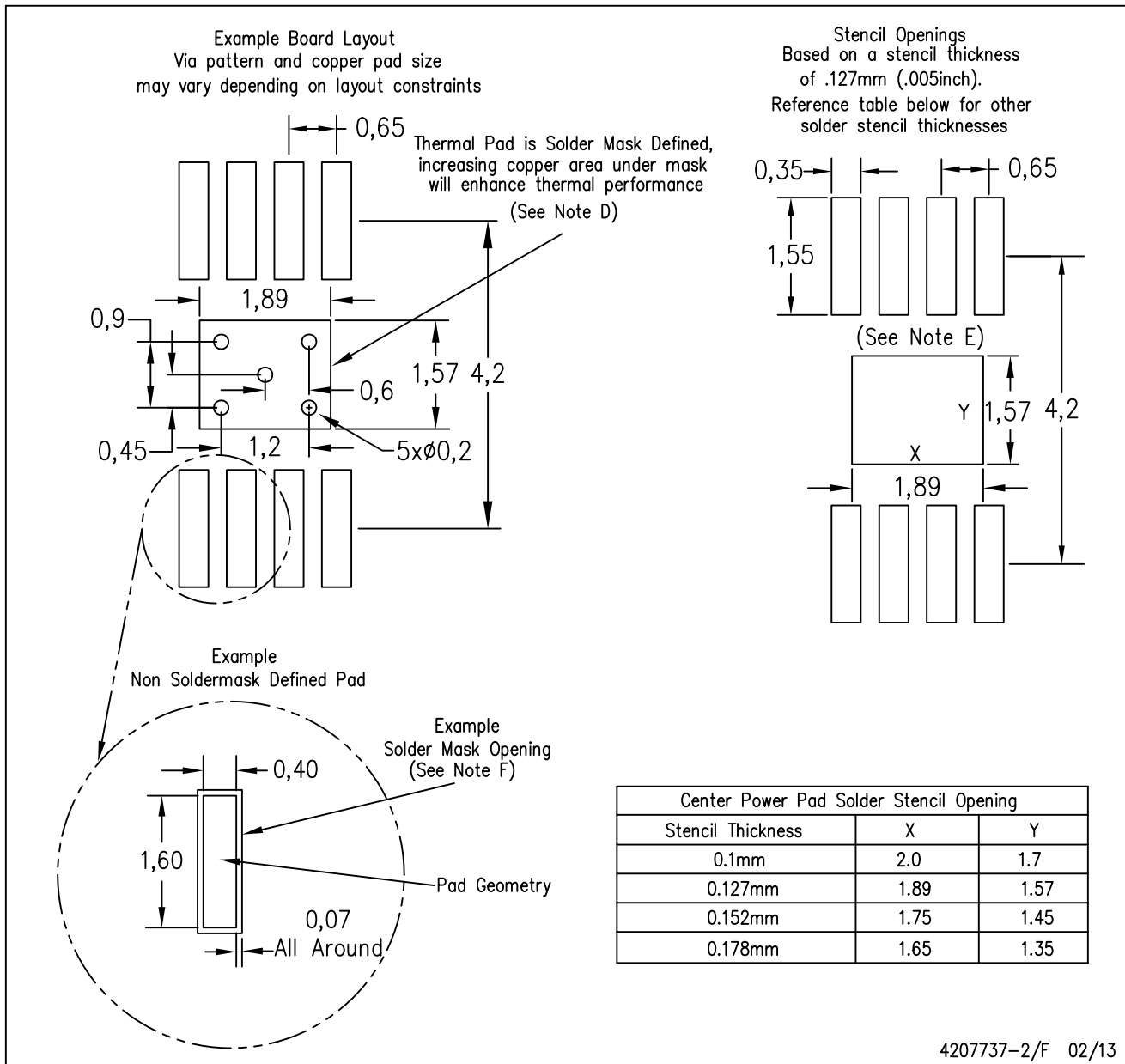


Exposed Thermal Pad Dimensions

4206323-2/1 12/11

NOTE: All linear dimensions are in millimeters

PowerPAD is a trademark of Texas Instruments



4207737-2/F 02/13

- NOTES:
- A. All linear dimensions are in millimeters.
 - B. This drawing is subject to change without notice.
 - C. Customers should place a note on the circuit board fabrication drawing not to alter the center solder mask defined pad.
 - D. This package is designed to be soldered to a thermal pad on the board. Refer to Technical Brief, PowerPad Thermally Enhanced Package, Texas Instruments Literature No. SLMA002, SLMA004, and also the Product Data Sheets for specific thermal information, via requirements, and recommended board layout. These documents are available at www.ti.com <<http://www.ti.com>>.
 - E. Laser cutting apertures with trapezoidal walls and also rounding corners will offer better paste release. Customers should contact their board assembly site for stencil design recommendations. Example stencil design based on a 50% volumetric metal load solder paste. Refer to IPC-7525 for other stencil recommendations.
 - F. Customers should contact their board fabrication site for solder mask tolerances between and around signal pads.

PowerPAD is a trademark of Texas Instruments

IMPORTANT NOTICE

Texas Instruments Incorporated and its subsidiaries (TI) reserve the right to make corrections, enhancements, improvements and other changes to its semiconductor products and services per JESD46, latest issue, and to discontinue any product or service per JESD48, latest issue. Buyers should obtain the latest relevant information before placing orders and should verify that such information is current and complete. All semiconductor products (also referred to herein as "components") are sold subject to TI's terms and conditions of sale supplied at the time of order acknowledgment.

TI warrants performance of its components to the specifications applicable at the time of sale, in accordance with the warranty in TI's terms and conditions of sale of semiconductor products. Testing and other quality control techniques are used to the extent TI deems necessary to support this warranty. Except where mandated by applicable law, testing of all parameters of each component is not necessarily performed.

TI assumes no liability for applications assistance or the design of Buyers' products. Buyers are responsible for their products and applications using TI components. To minimize the risks associated with Buyers' products and applications, Buyers should provide adequate design and operating safeguards.

TI does not warrant or represent that any license, either express or implied, is granted under any patent right, copyright, mask work right, or other intellectual property right relating to any combination, machine, or process in which TI components or services are used. Information published by TI regarding third-party products or services does not constitute a license to use such products or services or a warranty or endorsement thereof. Use of such information may require a license from a third party under the patents or other intellectual property of the third party, or a license from TI under the patents or other intellectual property of TI.

Reproduction of significant portions of TI information in TI data books or data sheets is permissible only if reproduction is without alteration and is accompanied by all associated warranties, conditions, limitations, and notices. TI is not responsible or liable for such altered documentation. Information of third parties may be subject to additional restrictions.

Resale of TI components or services with statements different from or beyond the parameters stated by TI for that component or service voids all express and any implied warranties for the associated TI component or service and is an unfair and deceptive business practice. TI is not responsible or liable for any such statements.

Buyer acknowledges and agrees that it is solely responsible for compliance with all legal, regulatory and safety-related requirements concerning its products, and any use of TI components in its applications, notwithstanding any applications-related information or support that may be provided by TI. Buyer represents and agrees that it has all the necessary expertise to create and implement safeguards which anticipate dangerous consequences of failures, monitor failures and their consequences, lessen the likelihood of failures that might cause harm and take appropriate remedial actions. Buyer will fully indemnify TI and its representatives against any damages arising out of the use of any TI components in safety-critical applications.

In some cases, TI components may be promoted specifically to facilitate safety-related applications. With such components, TI's goal is to help enable customers to design and create their own end-product solutions that meet applicable functional safety standards and requirements. Nonetheless, such components are subject to these terms.

No TI components are authorized for use in FDA Class III (or similar life-critical medical equipment) unless authorized officers of the parties have executed a special agreement specifically governing such use.

Only those TI components which TI has specifically designated as military grade or "enhanced plastic" are designed and intended for use in military/aerospace applications or environments. Buyer acknowledges and agrees that any military or aerospace use of TI components which have **not** been so designated is solely at the Buyer's risk, and that Buyer is solely responsible for compliance with all legal and regulatory requirements in connection with such use.

TI has specifically designated certain components as meeting ISO/TS16949 requirements, mainly for automotive use. In any case of use of non-designated products, TI will not be responsible for any failure to meet ISO/TS16949.

Products

Audio	www.ti.com/audio
Amplifiers	amplifier.ti.com
Data Converters	dataconverter.ti.com
DLP® Products	www.dlp.com
DSP	dsp.ti.com
Clocks and Timers	www.ti.com/clocks
Interface	interface.ti.com
Logic	logic.ti.com
Power Mgmt	power.ti.com
Microcontrollers	microcontroller.ti.com
RFID	www.ti-rfid.com
OMAP Applications Processors	www.ti.com/omap
Wireless Connectivity	www.ti.com/wirelessconnectivity

Applications

Automotive and Transportation	www.ti.com/automotive
Communications and Telecom	www.ti.com/communications
Computers and Peripherals	www.ti.com/computers
Consumer Electronics	www.ti.com/consumer-apps
Energy and Lighting	www.ti.com/energy
Industrial	www.ti.com/industrial
Medical	www.ti.com/medical
Security	www.ti.com/security
Space, Avionics and Defense	www.ti.com/space-avionics-defense
Video and Imaging	www.ti.com/video

TI E2E Community

e2e.ti.com