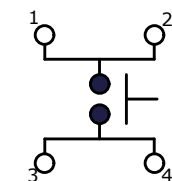
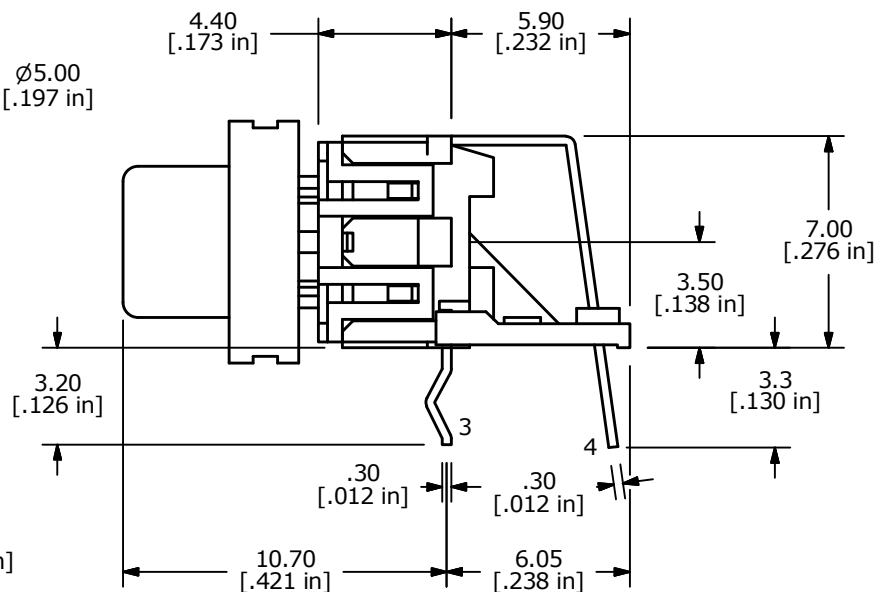
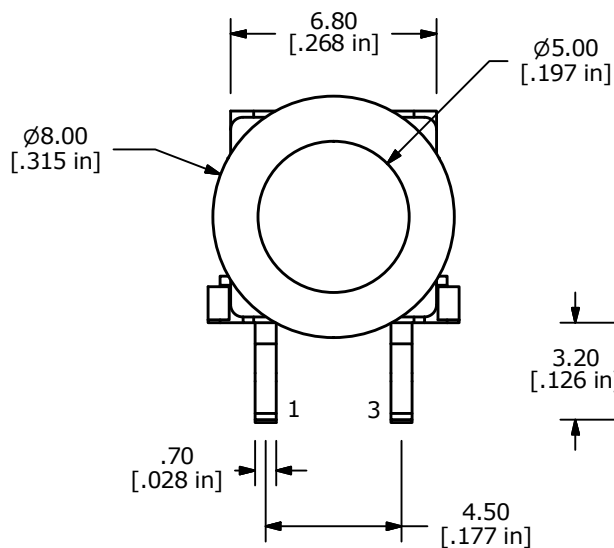
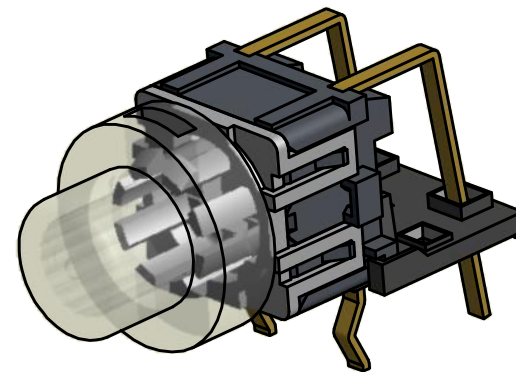
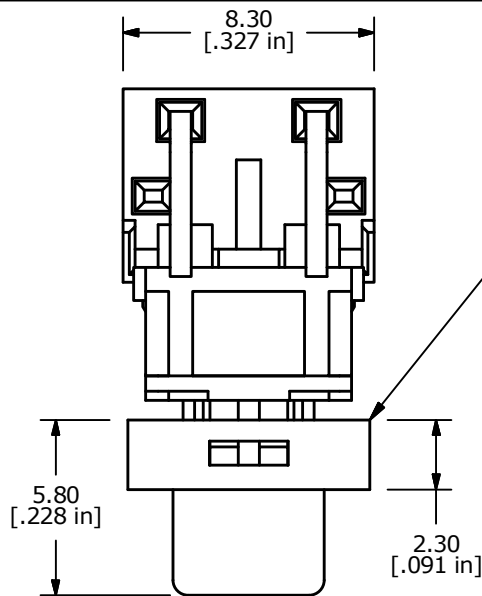


P.C.B LAYOUT



▲ CIRCUIT: SPST



- NOTES:
1. ALL DIMENSIONS IN MM [INCH]
 2. GENERAL TOLERANCE: X.X=±0.4
X.XX=±0.25
 3. RATING: 50mA @ 12VDC
 4. CONTACT RESISTANCE: 100mΩ MAX.
 5. INSULATION RESISTANCE: 100MΩ MIN.
 6. OPERATING FORCE: 180 ± 60gf
 7. TRAVEL: 0.2 ± 0.1mm
 8. OPERATING TEMPERATURE: -20°C TO 70°C
 9. OPERATING LIFE: 50,000 CYCLES
 - ▲ 10. LED: NONE
 - ▲ 11. CONTACTS: SILVER.
 12. ▲ DENOTES CRITICAL PARAMETERS
 13. 2011/65/EU (ROHS) COMPLIANT
 14. PARTS TO BE PACKAGED IN TRAYS,
100 PIECES PER TRAY.



B	23178	ADDED NOTE 14. PARTS TO BE..	1/22/18	MJR
A	21479	INITIAL RELEASE	6/12/14	EBP
REV	PCR NO	DESCRIPTION	DATE	BY

TITLE TL1250F180AQRCLR				
SCALE	DATE	DR	DWG	REV
4:1	6/12/2014	EBP	P010858	B