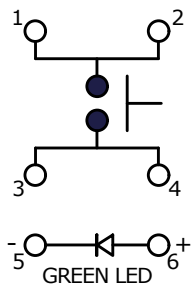
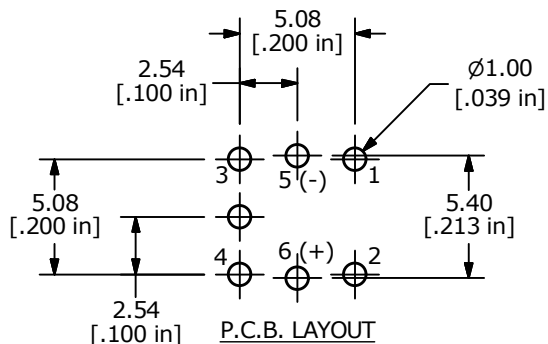


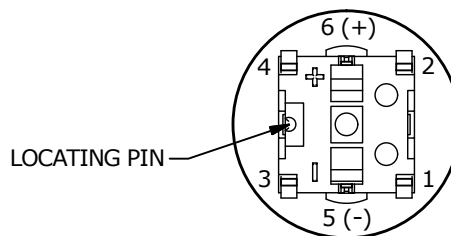
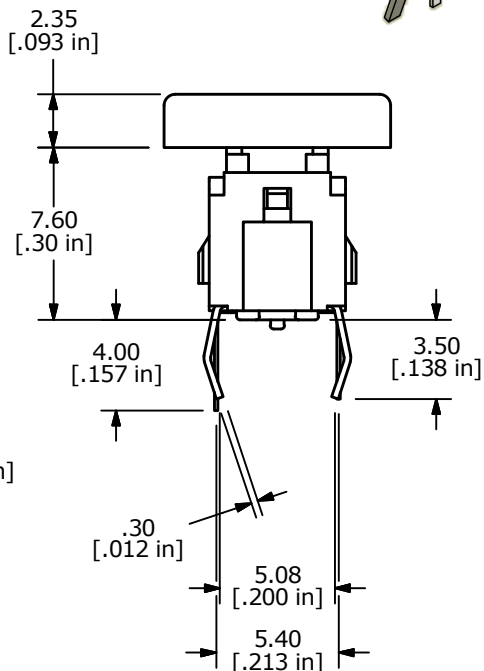
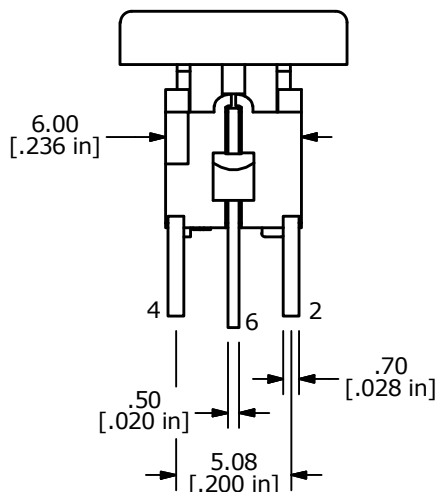
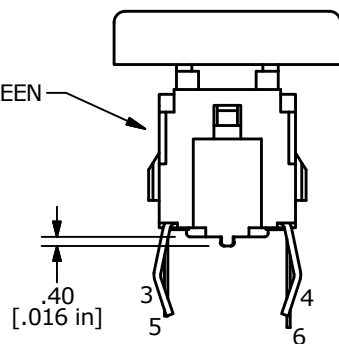
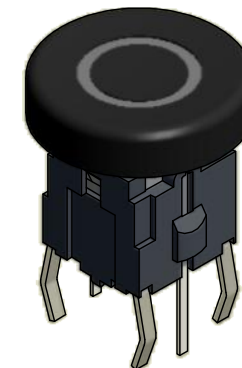
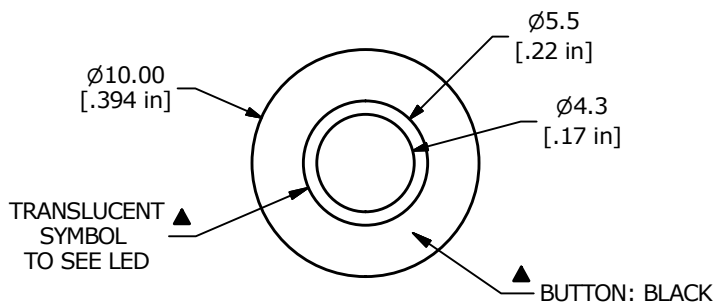
▲ LED SPECS	UNITS	GREEN
FORWARD CURRENT	mA	20
FORWARD VOLTAGE @ 20mA	V	2.1 typ.-2.5 max.
LUMINOUS INTENSITY @ 20mA	mcd	55 typ.



▲ CIRCUIT: SPST

NOTES:

1. ALL DIMENSIONS IN MM [INCH]
2. GENERAL TOLERANCE: X.X = ±0.4
X.XX = ±0.25
3. RATING: 12VDC @ 50mA
4. CONTACT RESISTANCE: 100mΩ MAX. 1.5VDC; 100mA
5. INSULATION RESISTANCE: 100MΩ MIN. 500VDC
6. OPERATING FORCE: 180± 50gf
7. TRAVEL: 0.2± 0.1mm
8. OPERATING TEMPERATURE: -40°C to 85°C
9. OPERATING LIFE: 500,000 CYCLES
10. LED: GREEN
11. ▲ DENOTES CRITICAL PARAMETERS
12. 2011/65/EU (ROHS) COMPLIANT
13. PARTS TO BE PACKAGE 50 PARTS PER TRAY.



C	23272	add 5.40mm dim.	3/26/18	MW
B	22268	UPDATE LED SPEC	4/14/16	MW
A	21972	RELEASE FOR PRODUCTION	9/11/15	MW
REV	PCR NO	DESCRIPTION	DATE	BY



TITLE TL1220R3NNBG-HALO				
SCALE	DATE	DR	DWG	REV
3:1	9/4/2015	MW	B260032	C