



2.0x1.2mm for Consumer/ Mobile Equipment



RoHS Compliant

**Features**

- Ultra Small, Low Profile
- Ceramic Package
- Reflow Compatible

**Applications**

- Consumer/ Mobile Equipment

**How to Order**

ST2012SB 32768 □□ H P W □□  
 ① ② ③ ④ ⑤ ⑥ ⑦

- ① Series
- ② Frequency 32.768kHz
- ③ Load Capacitance
- ④ Frequency Tolerance

<b>H5</b>	12.5 pF	Std.
<b>E0</b>	9.0 pF	
<b>C0</b>	7.0 pF	
<b>B0</b>	6.0 pF	
<b>A0</b>	5.0 pF	
<b>Z0</b>	4.0 pF	

<b>H</b>	±20×10 <sup>-6</sup>
----------	----------------------

- ⑤ Operating Temp. Range
- ⑥ Frequency Temp. Stability

<b>P</b>	-40 to +85°C
----------	--------------

<b>W</b>	±200×10 <sup>-6</sup>
----------	-----------------------

- ⑦ Individual Specification

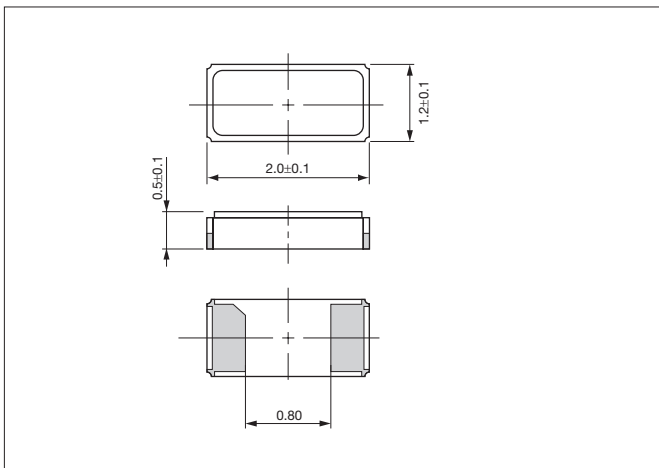
Packaging (Tape & Reel 3000/ 12000 pcs./ reel)

**Specifications**

Item	Symbol	Specification	Units	Remarks
Nominal Frequency	f <sub>nom</sub>	32.768	kHz	
Frequency Tolerance	f <sub>tol</sub>	±20	×10 <sup>-6</sup>	25°C±3°C
Turnover Temperature	T <sub>i</sub>	+25±5	°C	
Parabolic Coefficient	B	-0.04 max.	×10 <sup>-6</sup> / °C <sup>2</sup>	
Motional Resistance	R <sub>1</sub>	80 max.	k-ohm	
Motional Capacitance	C <sub>1</sub>	5.8 typ.	fF	
Shunt Capacitance	C <sub>0</sub>	1.3 typ.	pF	
Load Capacitance	CL	4.0/ 5.0/ 6.0/ 7.0/ 9.0/ 12.5	pF	Please contact us for other Load Capacitance.
Drive Level	DL	0.1	μW	0.5 max.
Operating Temp. Range	T <sub>use</sub>	-40 to +85	°C	
Storage Temp. Range	T <sub>stg</sub>	-40 to +85	°C	
Frequency Aging	f <sub>age</sub>	±3	×10 <sup>-6</sup>	

**Dimensions**

(Unit: mm)



**Recommended Land Pattern**

(Unit: mm)

