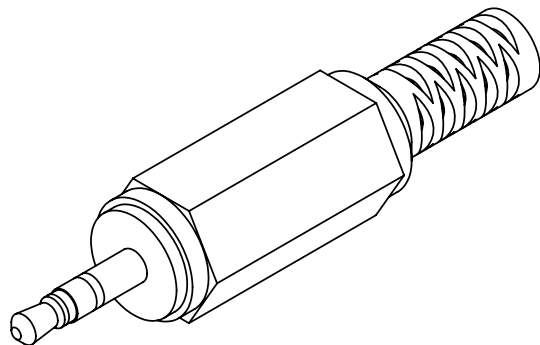
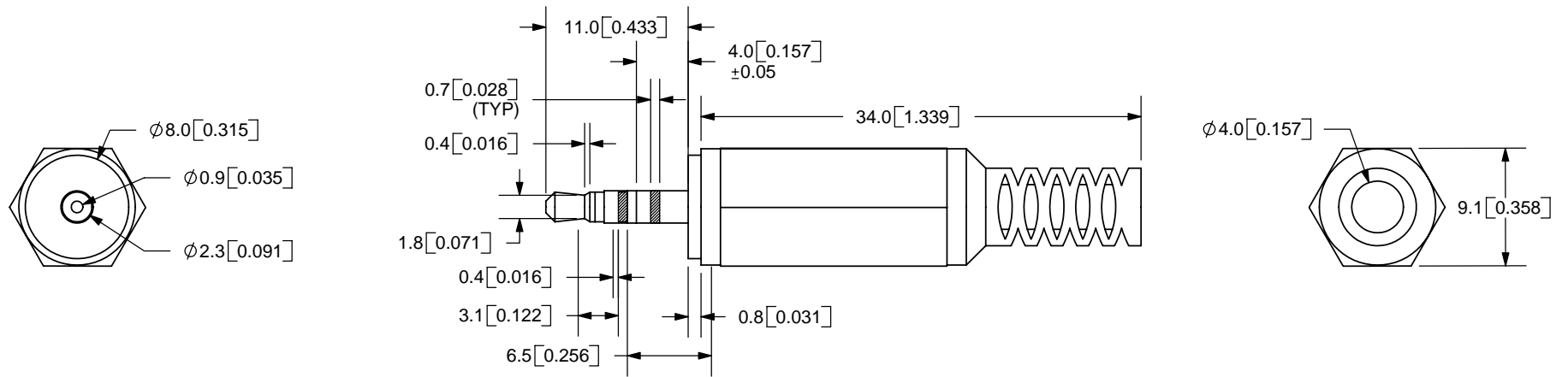


REV.	DESCRIPTION	DATE
A	NEW DRAWING	12/19/2005



TOLERANCE:
 X.X ± 0.2 mm
 X.XX ± 0.1 mm
 X.XXX ± 0.05 mm



9615 SW Allen Blvd., Ste. 103
 Beaverton, OR 97005
 Phone: 503-643-4899
 800-275-4899
 Fax: 503-372-1266
 Website: www.cui.com

	MATERIAL	PLATING
TIP	Brass	Nickel
RING	Brass	Nickel
SLEEVE	Brass	Nickel
INSULATOR	P.P.	
EARTH TERMINAL	Brass	Nickel
BODY	PVC	

TITLE:	2.5mm STEREO PLUG	REV:	A
PART NO.	SP-2501	UNITS:	MM [INCHES]
DRAWN BY:	ZRJ	APPROVED BY:	
		SCALE:	2:1

PC FILE NAME:
 SP-2501

COPYRIGHT 2005 BY CUI INC.