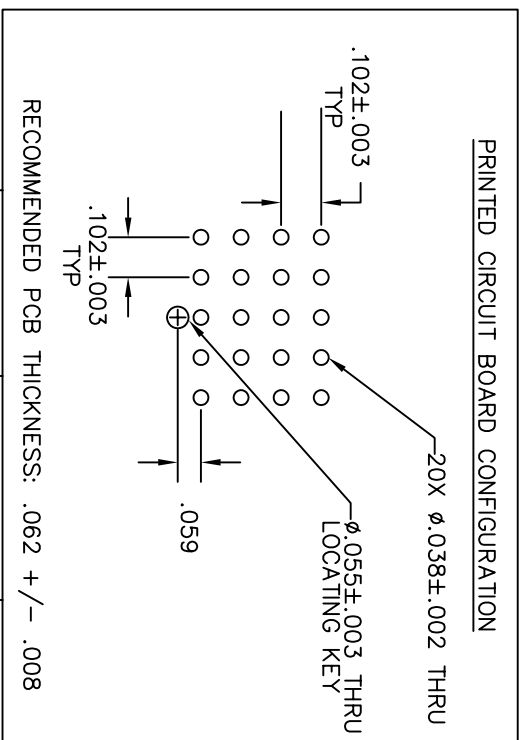
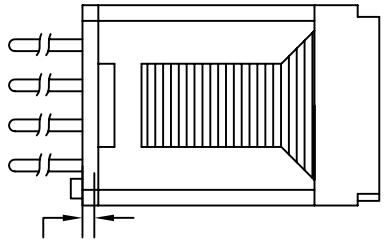
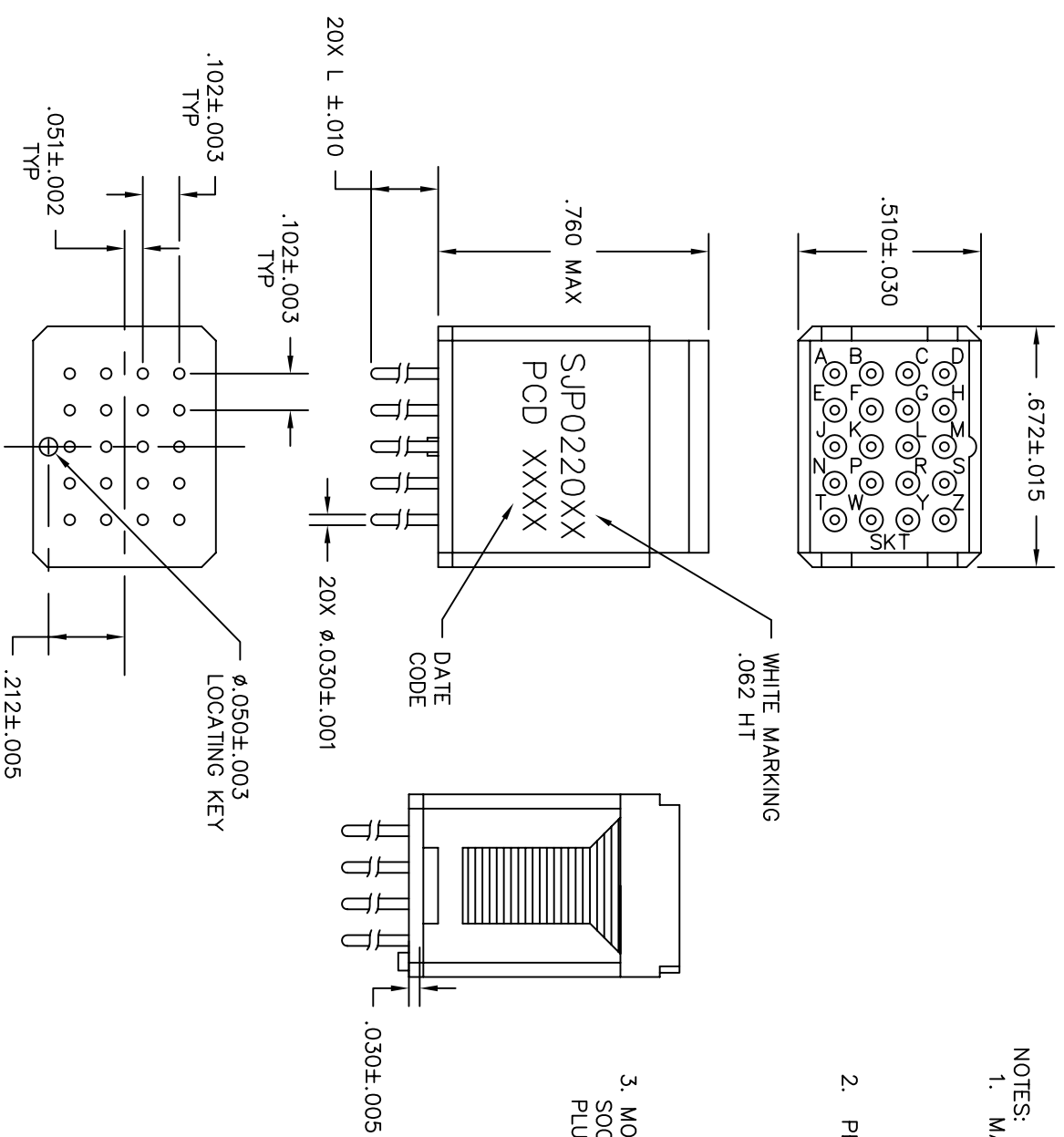


REV	ECN	APP'D
B	5132	

NOTES:

- MATERIALS:
 - BODY: POLYETHERIMIDE PER MIL-P-46184.
 - GROMMET: SILICONE BLEND ELASTOMER PER ZZ-R-765.
 - CONTACT RETAINERS: STAINLESS STEEL 301, 1/2 HARD.
 - PIN CONTACTS: COPPER ALLOY, HARD GOLD PLATE
 - PER MIL-G-45204, TYPE I, GRADE C, CLASS 1.
- PERFORMANCE SPECIFICATIONS:
 - OPERATING TEMP: -65° TO 200°C
 - INSULATION RESISTANCE: 5000 MEGOHMS MIN @ 25°C
 - DIELECTRIC WITHSTANDING VOLTAGE: 1500 VRMS AT SEA LEVEL AND 200 VRMS AT 110,000 FT. ALTITUDE.
 - CURRENT RATING: 5 AMPS
 - VIBRATION AND SHOCK: PER MIL-T-81714,
 - PARAGRAPH 3.5.5 AND 3.5.8.
- MODULE SUPPLIED WITH 21 M39029/22-191 SOCKET CONTACTS AND TWO (2) MS27488-22 SEALING PLUGS.



RECOMMENDED PCB THICKNESS: .062 +/- .008

PART NO.	SUPPLIED		DIM L
	SKTS	PLUGS	
SJP022000	21	2	.187
SJP022010	21	2	.250

DIMENSIONS	ANSI Y14.5M	TOLERANCES	PROJECTION
	UNITS: INCHES	.XX ±.01	
ACAD FILE	ANGLES ±2°	<p style="text-align: center;">SPECIFICATION DRAWING</p> <p>ENGR A. PATRIE 8/31/01</p>	
ORIGINAL	<p style="text-align: center;">THIS DOCUMENT CONTAINS PROPRIETARY INFORMATION WHICH IS THE CONFIDENTIAL PROPERTY OF PCD, INC. PEABODY, MA, USA</p>		<p>CHKD</p> <p>APPD</p>

pcd		TITLE	
SIZE	DWG NO.	SOCKET MODULE PCB MOUNT	
A	SJP022000		
CODE: 58982	SCALE: 2X	REV B	
		SHEET 1 OF 1	