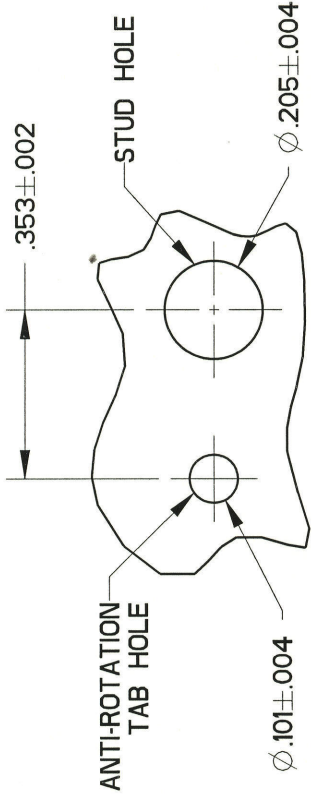
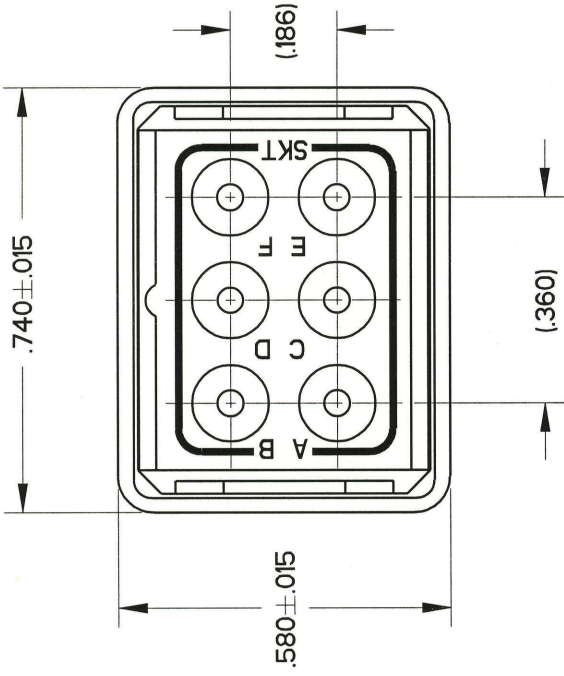
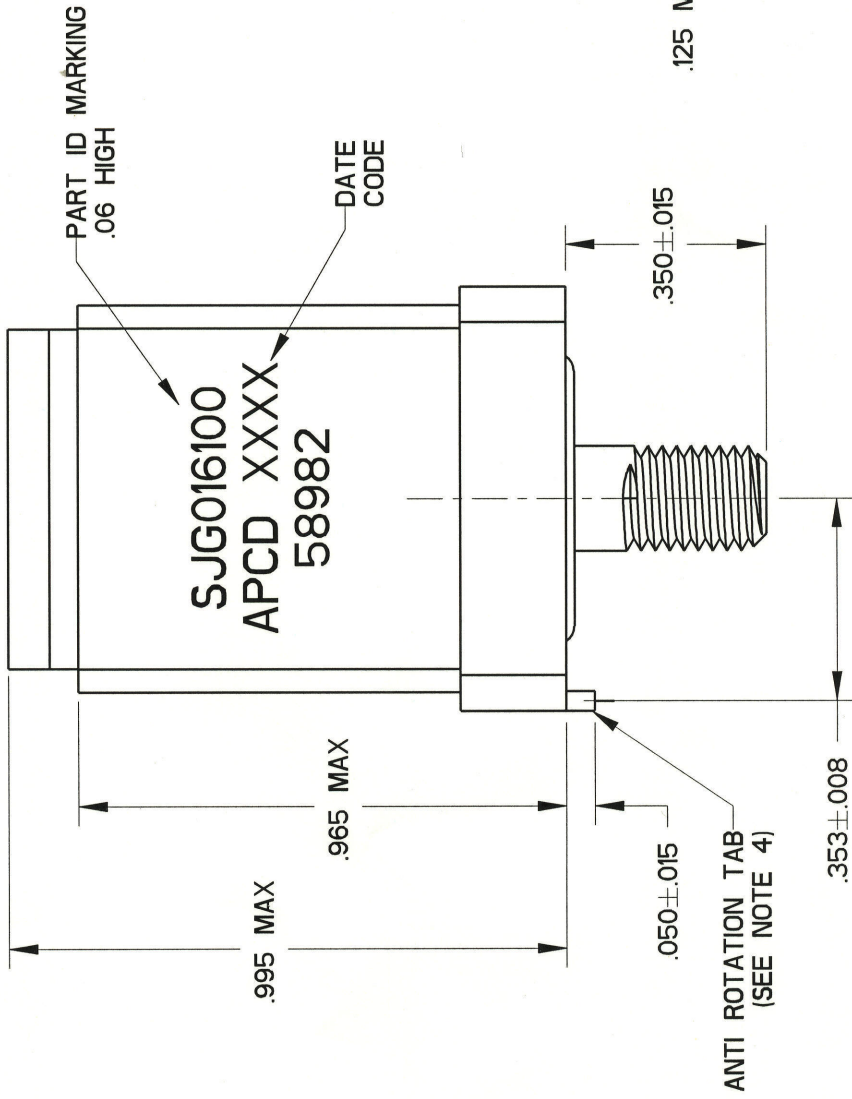
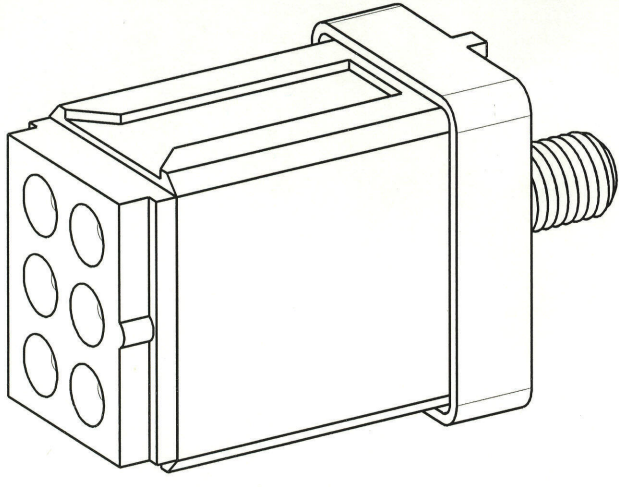


REV	ECN	APP'D
J	5968	<i>[Signature]</i>



MOUNTING HOLE CONFIGURATION



- NOTES:
- PART MEETS ALL REQUIREMENTS OF MIL-T-81714/63
  - MATERIALS:  
GROMMET - SILICONE RUBBER PER A-A-59588  
BODY - POLYETHERIMIDE PER ASTM-D-5205  
SHELL/STUD - COPPER ALLOY, GOLD PLATED PER SAE-AMS-2422  
CONTACT RETAINER CLIPS - STAINLESS STEEL PER ASTM-A666
  - PART ACCEPTS M39029/22-193 SOCKET CONTACTS. SEE TABLE

APCD P/N	SUPPLIED	MARKING
SJG016100	SKTS / PLUGS	APCD PART NO.
SJG016101	7	2
	-	SJG016100

APCD P/N	HARDWARE / SOCKET CONTACT BOM DESCRIPTION	QTY.
200001201	FLAT WASHER, #10	1
200008201	HEX NUT, #10-32	1
200008301	LOCK WASHER, #10	1
CNS072900	M39029/22-193, CONTACT SZ 16/16	7
CNA032402	SEALING PLUG, SZ 16, MS27488-16-1	2

**Amphenol Pcd**

SPECIFICATION DRAWING

DRWN R. SWAINE 10/2/06

ENGR *[Signature]* 10/3/06

APPD *[Signature]* 10-4-06

DIMENSIONS	TOLERANCES	PROJECTION
ANSI Y14.5M UNITS: INCHES Pro/E FILE	.XX ±0.01 .XXX ±0.005 ANGLES ±2.0°	
ORIGINAL	THIS DOCUMENT CONTAINS PROPRIETARY INFORMATION WHICH IS THE CONFIDENTIAL PROPERTY OF AMPHENOL PCD INC., PEABODY, MA	

TITLE		
SJG, SIZE 16 GROUND MODULE TIN PLATED		
SIZE	DWG NO.	REV
B		J
CODE: 58982	SCALE: 2:1	SHEET 1 OF 1