

SUMMARY

Wires

| | |
|---------|---|
| Low | 8 |
| High | 0 |
| Coax | 0 |
| Triax | 0 |
| Quad | 0 |
| Fiber | 0 |
| Fluidic | 0 |

| | |
|------------------|------------------------|
| Series | 2B |
| Termination type | Coupler/adapter/bridge |
| IP rating | 68 |
| Cable Ø | 0.00 - 0.00 mm |
| Matching parts | FGG.2B.308.CLAD72 |
| Status | active |
| Alternative part | |



Image is for illustrative purpose only

Download

[Request a quote](#)

[Catalog](#)

TECHNICAL DETAILS

Mechanics

| | |
|-------------------|---|
| Shell Style/Model | SJG*: Fixed coupler, nut fixing, keys (G, A, B, J, K, L) at the flange end and keys (G, A, B, J, K, L) at the other end, watertight or vacuum-tight |
| Keying | 1 key (alpha=0, plug: male contacts, receptacle: female contacts) |
| Housing Material | Brass (chrome plated) shell and collet nut, nickel plated brass latch sleeve and mid pieces |
| Cable Fixing | ∅ 0 - 0 mm |
| Variant | P : Watertight |

Performance

| | |
|---------------|--|
| Configuration | 2B.308 : 8 Low Voltage |
| Insulator | L: PEEK (UL 94 / V-0/3.2, depends on material thickness) |
| Rated Current | 10 Amps |

Specifications

Contact Type: Solder
Max. Matings: 5000

LEMO products and services are provided "as is". LEMO makes no warranties or representations with regard to LEMO product & services or use of them, express, implied or statutory, including for accuracy, completeness, or security. The user is fully responsible for his products and applications using LEMO components.

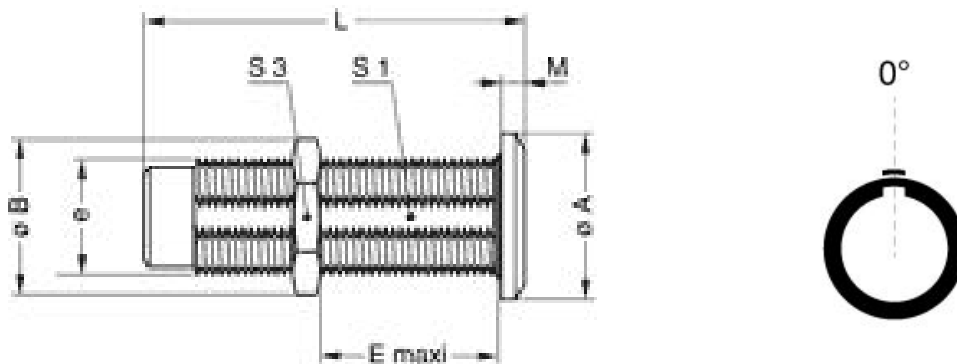
Contact Dia.: 0.9 mm (0.04in)
 Vtest (contact-shell): 1250 V (AC), 1770 V (DC)
 Vtest (contact-contact): 1500 V (AC), 2120 V (DC)

Others

Temp (min / max): -20°C / +80°C
 Humidity (max): <=95% [at 60 deg C / 140 F]
 Vibration: 15 g [10 Hz - 2000 Hz]
 Shock Resistance: 100 g [6 ms]
 Salt Spray Corrosion: >144 hr
 Climatical Category: 20/80/21
 Shielding (min): 75 dB (10 MHz)
 Shielding (min): 40 dB (1 GHz)
 Pressure: 40 bars
 IP Rating: 68

DRAWINGS

Draws



Dimensions

| | A | B | E | L | M | S1 | S3 | e |
|-----|------|------|------|------|------|------|------|---------|
| mm. | 20 | 21.8 | 25 | 44 | 4 | 15 | 19 | M16x1.0 |
| in. | 0,79 | 0,86 | 0,98 | 1,73 | 0,16 | 0,59 | 0,75 | |

RECOMMENDED BY LEMO

Tools

LEMO products and services are provided "as is". LEMO makes no warranties or representations with regard to LEMO product & services or use of them, express, implied or statutory, including for accuracy, completeness, or security. The user is fully responsible for his products and applications using LEMO components.

None

Cables

LEMO products and services are provided "as is". LEMO makes no warranties or representations with regard to LEMO product & services or use of them, express, implied or statutory, including for accuracy, completeness, or security. The user is fully responsible for his products and applications using LEMO components.