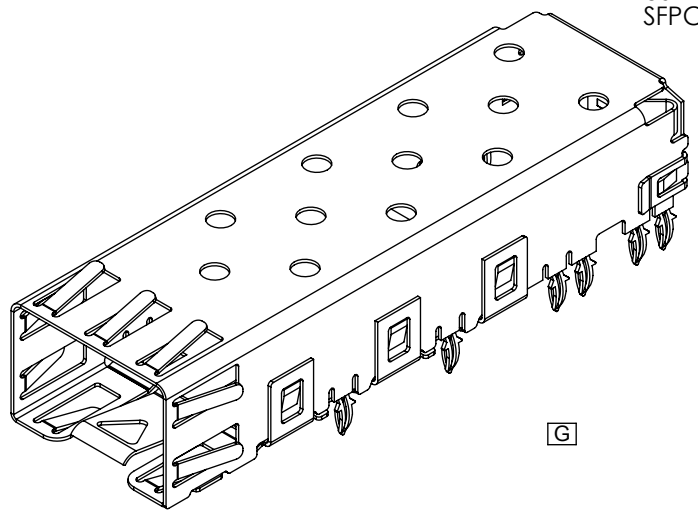


DO NOT SCALE FROM THIS PRINT



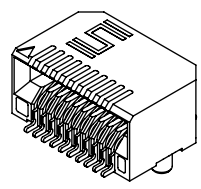
SFPC-PF

G

SFPK-PF-XX

PRESS FIT
USE MECT-110-01-M-D-RA1 & SFPK-PF (ONE EACH)

MECT CONNECTOR PACKAGE OPTION
-TR: TAPE & REEL
USE MECT-110-01-M-D-RA1-TR
-LEAVE BLANK FOR TUBE PACKAGING

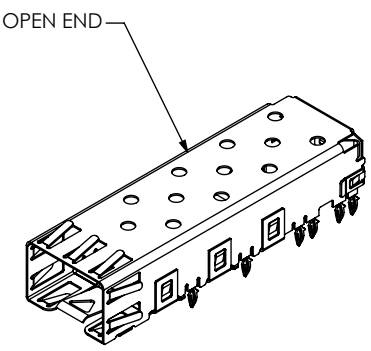


MECT-110-01-M-D-RA1

MECT PACKAGING VIEW
(LOAD PARTS WITH POSITION #1 INDICATOR IN SAME DIRECTION AS ARROW ON TUBE)


TUBE: PT-1-24-01-113
PLUG: TP-03

SFPC-PF PACKAGING VIEW
(LOAD PARTS WITH OPEN END IN DIRECTION OF ARROW ON TUBE)



G NOTES:

- 1. SFPC-PF TUBE SUPPLIED BY VENDOR.

| | | |
|---|---|---|
| <p>UNLESS OTHERWISE SPECIFIED, DIMENSIONS ARE IN INCHES. TOLERANCES ARE: DECIMALS ANGLES .XX: ±.01 [.3] 2° .XXX: ±.005 [.13] .XXXX: ±.0020 [.051]</p> | <p>PROPRIETARY NOTE THIS DOCUMENT CONTAINS INFORMATION CONFIDENTIAL AND PROPRIETARY TO SAMTEC, INC. AND SHALL NOT BE REPRODUCED OR TRANSFERRED TO OTHER DOCUMENTS OR DISCLOSED TO OTHERS OR USED FOR ANY PURPOSE OTHER THAN THAT WHICH IT WAS OBTAINED WITHOUT THE EXPRESSED WRITTEN CONSENT OF SAMTEC, INC.</p> |  <p>520 PARK EAST BLVD, NEW ALBANY, IN 47150 PHONE: 812-944-6733 FAX: 812-948-5047 e-Mail info@SAMTEC.com code 55322</p> |
| <p>MATERIAL: DO NOT SCALE DRAWING SHEET SCALE: 2:1 INSULATOR: LCP, UL 94 VO, COLOR: BLACK TERMINAL: PHOS BRONZE SFPC-PF: STAINLESS STEEL</p> | <p>DESCRIPTION: PRESS FIT COMBO DWG. NO. SFPK-PF-XX</p> | |
| <p>F:\DWG\MISC\MKTG\SFPK-PF-XX-MKT.SLDDRW</p> | <p>BY: KEVIN B 10/02/02</p> | <p>SHEET 1 OF 1</p> |