

**BATTERY PROTECTION IC FOR 1-CELL PACK
(SECONDARY PROTECTION)**

The S-8206A Series is used for secondary protection of lithium-ion / lithium polymer rechargeable batteries, and incorporates a high-accuracy voltage detection circuit and a delay circuit.

■ Features

- High-accuracy voltage detection circuit
 - Overcharge detection voltage 3.500 V to 5.000 V (5 mV step) Accuracy ± 20 mV
 - Overcharge release voltage 3.100 V to 4.950 V^{*1} Accuracy ± 50 mV
- Detection delay time is generated only by an internal circuit (external capacitors are unnecessary).
- Output logic is selectable: Active "H", active "L"
- Output form is selectable: CMOS output, Nch open-drain output
- Wide operation temperature range Ta = -40°C to $+85^{\circ}\text{C}$
- Low current consumption
 - During operation: 1.5 μA typ., 3.0 μA max. (Ta = $+25^{\circ}\text{C}$)
- Lead-free (Sn 100%), halogen-free

*1. Overcharge release voltage = Overcharge detection voltage – Overcharge hysteresis voltage
(Overcharge hysteresis voltage can be selected from a range of 0.05 V to 0.4 V in 50 mV step.)

■ Applications

- Lithium-ion rechargeable battery pack
- Lithium polymer rechargeable battery pack

■ Packages

- SNT-6A
- HSNT-6 (1212)

■ **Block Diagram**

1. CMOS output, active "H"

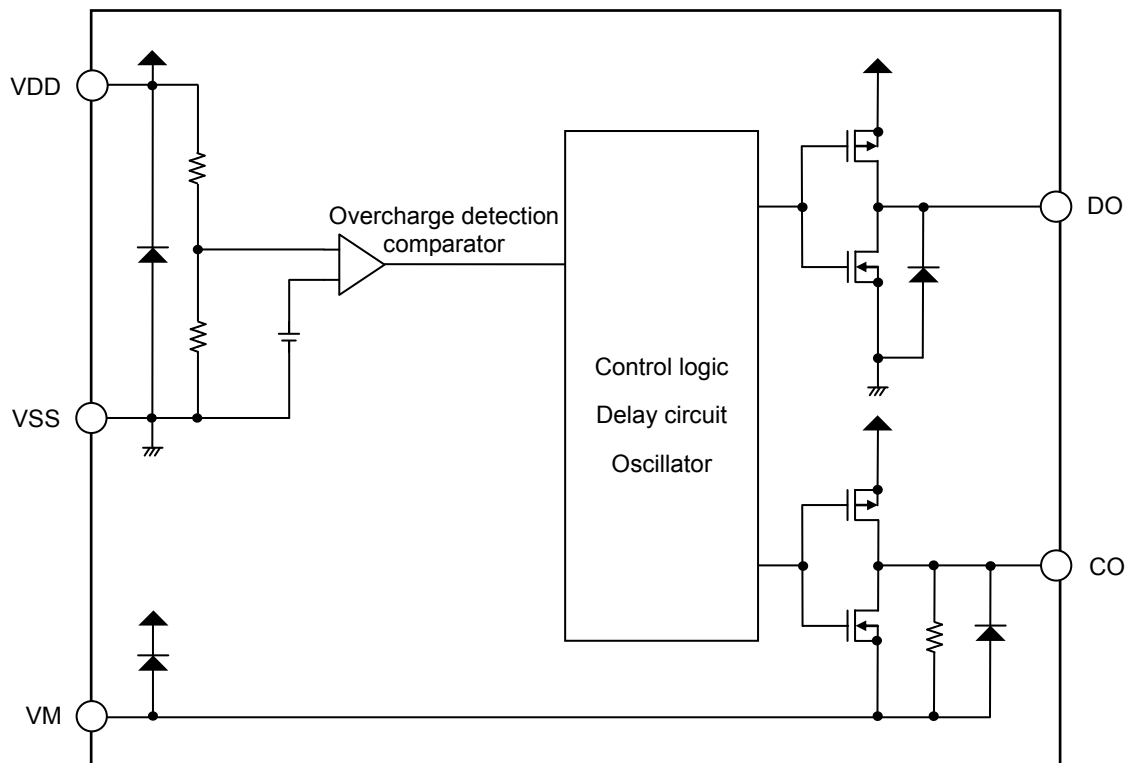
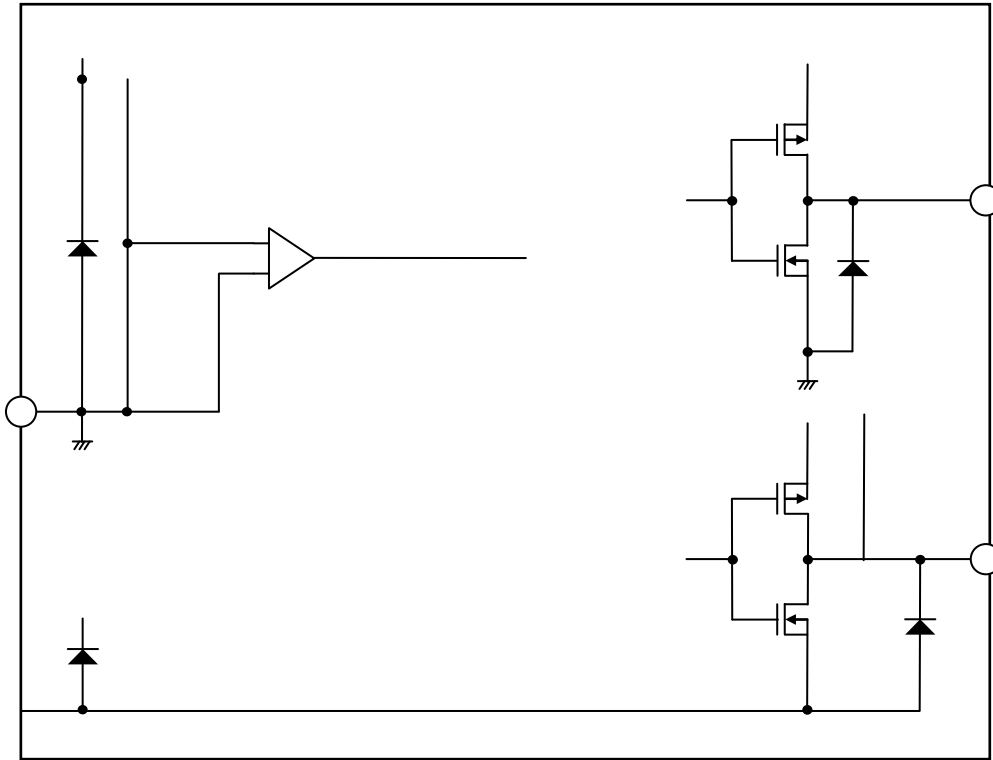
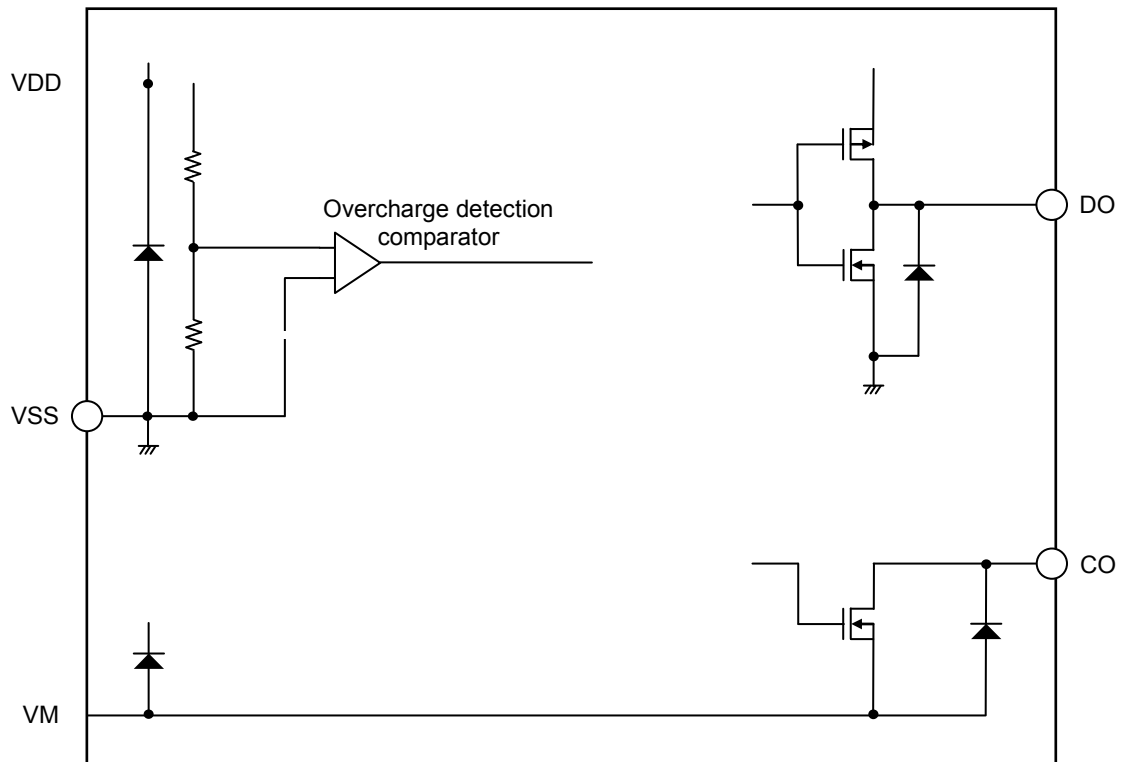


Figure 1

2. CMOS output, active "L"

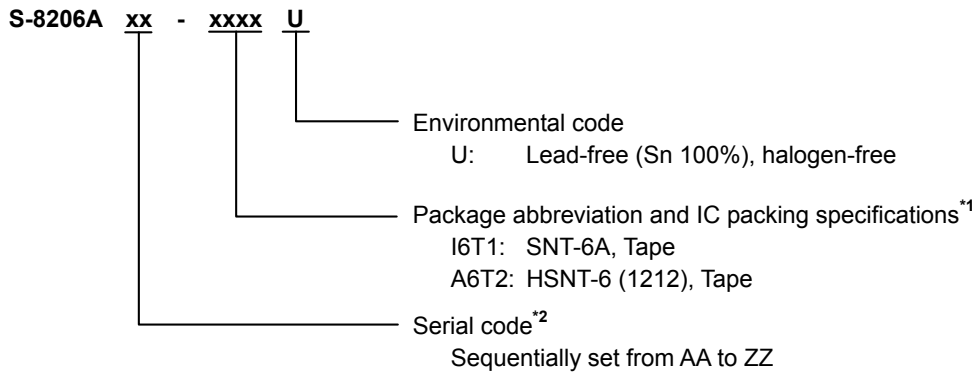


3. Nch open-drain output



■ Product Name Structure

1. Product name



*1. Refer to the tape drawing.

*2. Refer to "3. Product name list".

2. Packages

Table 1 Package Drawing Codes

Package Name	Dimension	Tape	Reel	Land
SNT-6A	PG006-A-P-SD	PG006-A-C-SD	PG006-A-R-SD	PG006-A-L-SD
HSNT-6 (1212)	PM006-A-P-SD	PM006-A-C-SD	PM006-A-R-SD	PM006-A-L-SD

3. Product name list

3.1 SNT-6A

Table 2

Product Name	Overcharge Detection Voltage [V _{CU}]	Overcharge Release Voltage [V _{CL}]	Overcharge Detection Delay Time* ¹ [t _{CU}]	Output Logic* ²	Output Form* ³
S-8206AAA-I6T1U	4.500 V	4.150 V	2 s	Active "H"	CMOS output
S-8206AAB-I6T1U	4.550 V	4.200 V	2 s	Active "H"	CMOS output
S-8206AAC-I6T1U	4.150 V	4.000 V	2 s	Active "L"	CMOS output
S-8206AAD-I6T1U	4.250 V	4.100 V	2 s	Active "L"	CMOS output
S-8206AAE-I6T1U	4.150 V	4.000 V	2 s	Active "H"	Nch open-drain output
S-8206AAF-I6T1U	4.250 V	4.100 V	2 s	Active "H"	Nch open-drain output
S-8206AAG-I6T1U	4.450 V	4.150 V	2 s	Active "H"	CMOS output
S-8206AAH-I6T1U	4.400 V	4.100 V	2 s	Active "H"	CMOS output
S-8206AAI-I6T1U	4.350 V	4.050 V	2 s	Active "H"	CMOS output

*1. Overcharge detection delay time 1 s / 2 s / 4 s is selectable.

*2. Output logic active "H" / active "L" is selectable.

*3. Output form CMOS output / Nch open-drain output is selectable.

Remark Please contact our sales office for the products with detection voltage value other than those specified above.

3.2 HSNT-6 (1212)

Table 3

Product Name	Overcharge Detection Voltage [V _{CU}]	Overcharge Release Voltage [V _{CL}]	Overcharge Detection Delay Time* ¹ [t _{CU}]	Output Logic* ²	Output Form* ³
S-8206AAA-A6T2U	4.500 V	4.150 V	2 s	Active "H"	CMOS output
S-8206AAB-A6T2U	4.550 V	4.200 V	2 s	Active "H"	CMOS output

*1. Overcharge detection delay time 1 s / 2 s / 4 s is selectable.

*2. Output logic active "H" / active "L" is selectable.

*3. Output form CMOS output / Nch open-drain output is selectable.

Remark Please contact our sales office for the products with detection voltage value other than those specified above.

■ Pin Configurations

1. SNT-6A



Figure 4

Table 4

Pin No.	Symbol	Description
1	NC ^{*1}	No connection
2	CO	Connection pin of charge control FET gate (CMOS output)
3	DO	Input pin for test signal
4	VSS	Input pin for negative power supply
5	VDD	Input pin for positive power supply
6	VM	Negative power supply pin for CO pin

- *1. The NC pin is electrically open.
The NC pin can be connected to VDD pin or VSS pin.

2. HSNT-6 (1212)

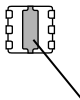


Figure 5

Table 5

Pin No.	Symbol	Description
1	NC ^{*2}	No connection
2	CO	Connection pin of charge control FET gate (CMOS output)
3	DO	Input pin for test signal
4	VSS	Input pin for negative power supply
5	VDD	Input pin for positive power supply
6	VM	Negative power supply pin for CO pin

- *1. Connect the heat sink of backside at shadowed area to the board, and set electric potential open or VDD.
However, do not use it as the function of electrode.
- *2. The NC pin is electrically open.
The NC pin can be connected to VDD pin or VSS pin.

■ **Absolute Maximum Ratings**

Table 6

(Ta = +25°C unless otherwise specified)

Item	Symbol	Applied Pin	Absolute Maximum Rating	Unit	
Input voltage between VDD pin and VSS pin	V_{DS}	VDD	$V_{SS} - 0.3$ to $V_{SS} + 6$	V	
VM pin input voltage	V_{VM}	VM	$V_{DD} - 28$ to $V_{DD} + 0.3$	V	
DO pin input voltage	V_{DO}	DO	$V_{SS} - 0.3$ to $V_{DD} + 0.3$	V	
CO pin output voltage	CMOS output	V_{CO}	CO	$V_{VM} - 0.3$ to $V_{DD} + 0.3$	V
	Nch open-drain output			$V_{VM} - 0.3$ to $V_{VM} + 28$	V
Power dissipation	SNT-6A	—	400^{*1}	mW	
	HSNT-6 (1212)	—	480^{*1}	mW	
Operation ambient temperature	T_{opr}	—	-40 to +85	°C	
Storage temperature	T_{stg}	—	-55 to +125	°C	

*1. When mounted on board
 [Mounted board]

- (1) Board size: 114.3 mm × 76.2 mm × t1.6 mm
- (2) Board name: JEDEC STANDARD51-7

Caution The absolute maximum ratings are rated values exceeding which the product could suffer physical damage. These values must therefore not be exceeded under any conditions.

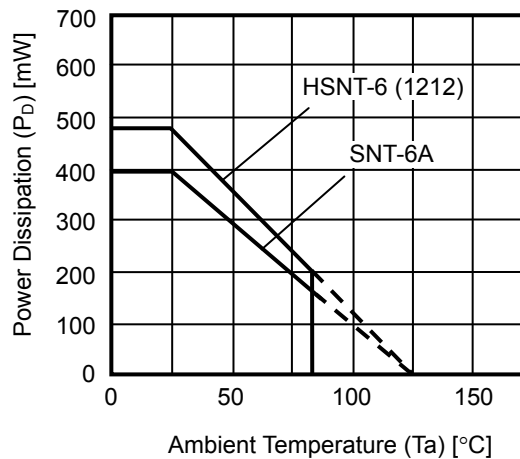


Figure 6 Power Dissipation of Package (When Mounted on Board)

■ Electrical Characteristics

1. Ta = +25°C

Table 7

(Ta = +25°C unless otherwise specified)

Item	Symbol	Condition	Min.	Typ.	Max.	Unit	Test Circuit
Detection Voltage							
Overcharge detection voltage	V _{CU}	-	V _{CU} - 0.020	V _{CU}	V _{CU} + 0.020	V	1
		Ta = -10°C to +60°C*1	V _{CU} - 0.025	V _{CU}	V _{CU} + 0.025	V	1
Overcharge release voltage	V _{CL}	V _{CL} ≠ V _{CU}	V _{CL} - 0.050	V _{CL}	V _{CL} + 0.050	V	1
		V _{CL} = V _{CU}	V _{CL} - 0.025	V _{CL}	V _{CL} + 0.020	V	1
Input Voltage							
Operation voltage between VDD pin and VSS pin	V _{DSOP}	-	1.5	-	6.0	V	-
Input Current							
Current consumption during operation	I _{OPE}	V _{DD} = 3.4 V, V _{VM} = 0 V	-	1.5	3.0	μA	2
Output Resistance							
CO pin resistance "H" 1	R _{COH1}	CMOS output	5	10	20	kΩ	3
CO pin resistance "L" 1	R _{COL1}	-	5	10	20	kΩ	3
DO pin resistance "H"	R _{DOH}	-	5	10	20	kΩ	3
DO pin resistance "L"	R _{DOL}	-	5	10	20	kΩ	3
CO pin resistance "H" 2	R _{COH2}	CMOS output, active "L"	1	4	-	MΩ	3
CO pin resistance "L" 2	R _{COL2}	CMOS output, active "H"	1	4	-	MΩ	3
Output Current							
CO pin leakage current "L"	I _{COLL}	Nch open-drain output	-	-	0.1	μA	3
Delay Time							
Overcharge detection delay time	t _{CU}	-	t _{CU} × 0.7	t _{CU}	t _{CU} × 1.3	-	4

*1. Since products are not screened at high and low temperature, the specification for this temperature range is guaranteed by design, not tested in production.

■ Test Circuits

- Caution**
1. Unless otherwise specified, the output voltage levels "H" and "L" at CO pin (V_{CO}) are judged by the threshold voltage (1.0 V) of the N-channel FET. Judge the CO pin level with respect to V_{VM} .
 2. Set SW to ON and OFF in Nch open-drain output and CMOS output, respectively.

1. Overcharge detection voltage, overcharge release voltage (Test circuit 1)

1.1 Active "H"

Overcharge detection voltage (V_{CU}) is defined as the voltage $V1$ at which V_{CO} goes from "L" to "H" when the voltage $V1$ is gradually increased from the starting condition of $V1 = 3.4$ V. Overcharge release voltage (V_{CL}) is defined as the voltage $V1$ at which V_{CO} goes from "H" to "L" when the voltage $V1$ is then gradually decreased. Overcharge hysteresis voltage (V_{HC}) is defined as the difference between V_{CU} and V_{CL} .

1.2 Active "L"

Overcharge detection voltage (V_{CU}) is defined as the voltage $V1$ at which V_{CO} goes from "H" to "L" when the voltage $V1$ is gradually increased from the starting condition of $V1 = 3.4$ V. Overcharge release voltage (V_{CL}) is defined as the voltage $V1$ at which V_{CO} goes from "L" to "H" when the voltage $V1$ is then gradually decreased. Overcharge hysteresis voltage (V_{HC}) is defined as the difference between V_{CU} and V_{CL} .

2. Current consumption during operation (Test circuit 2)

The current consumption during operation (I_{OPE}) is the current that flows through VDD pin (I_{DD}) under the set condition of $V1 = 3.4$ V.

3. CO pin resistance "H" 1 (CMOS output) (Test circuit 3)

3.1 Active "H"

The CO pin resistance "H" 1 (R_{COH1}) is the resistance between VDD pin and CO pin under the set conditions of $V1 = 5.1$ V, $V2 = 4.7$ V.

3.2 Active "L"

The CO pin resistance "H" 1 (R_{COH1}) is the resistance between VDD pin and CO pin under the set conditions of $V1 = 3.4$ V, $V2 = 3.0$ V.

4. CO pin resistance "L" 1 (Test circuit 3)

4.1 Active "H"

The CO pin resistance "L" 1 (R_{COL1}) is the resistance between VM pin and CO pin under the set conditions of $V1 = 3.4$ V, $V2 = 0.4$ V.

4.2 Active "L"

The CO pin resistance "L" 1 (R_{COL1}) is the resistance between VM pin and CO pin under the set conditions of $V1 = 5.1$ V, $V2 = 0.4$ V.

5. DO pin resistance "H" (Test circuit 3)

The DO pin resistance "H" (R_{DOH}) is the resistance between VDD pin and DO pin under the set conditions of $V1 = 3.4$ V, $V3 = 3.0$ V.

**6. DO pin resistance "L"
(Test circuit 3)**

The DO pin resistance "L" (R_{DOL}) is the resistance between VSS pin and DO pin under the set conditions of $V1 = 1.8\text{ V}$, $V3 = 0.4\text{ V}$.

**7. CO pin resistance "H" 2 (CMOS output, active "L")
(Test circuit 3)**

The CO pin resistance "H" 2 (R_{COH2}) is the resistance between VDD pin and CO pin under the set conditions of $V1 = 5.1\text{ V}$, $V2 = 0\text{ V}$.

**8. CO pin resistance "L" 2 (CMOS output, active "H")
(Test circuit 3)**

The CO pin resistance "L" 2 (R_{COL2}) is the resistance between VM pin and CO pin under the set conditions of $V1 = 5.1\text{ V}$, $V2 = 5.1\text{ V}$.

**9. CO pin leakage current "L" (Nch open-drain output)
(Test circuit 3)****9.1 Active "H"**

The CO pin leakage current "L" (I_{COLL}) is the current that flows through CO pin (I_{CO}) under the set conditions of $V1 = 5.1\text{ V}$, $V2 = 28\text{ V}$.

9.2 Active "L"

The CO pin leakage current "L" (I_{COLL}) is the current that flows through CO pin (I_{CO}) under the set conditions of $V1 = 3.4\text{ V}$, $V2 = 28\text{ V}$.

**10. Overcharge detection delay time
(Test circuit 4)****10.1 Active "H"**

The overcharge detection delay time (t_{CU}) is the time needed for V_{CO} to go to "H" just after the voltage $V1$ increases and exceeds V_{CU} under the set condition of $V1 = 3.4\text{ V}$.

10.2 Active "L"

The overcharge detection delay time (t_{CU}) is the time needed for V_{CO} to go to "L" just after the voltage $V1$ increases and exceeds V_{CU} under the set condition of $V1 = 3.4\text{ V}$.

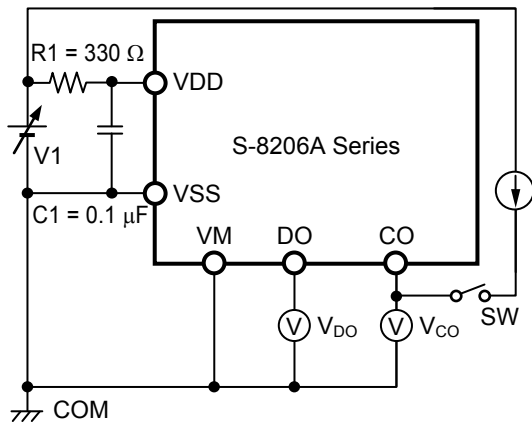


Figure 7 Test Circuit 1

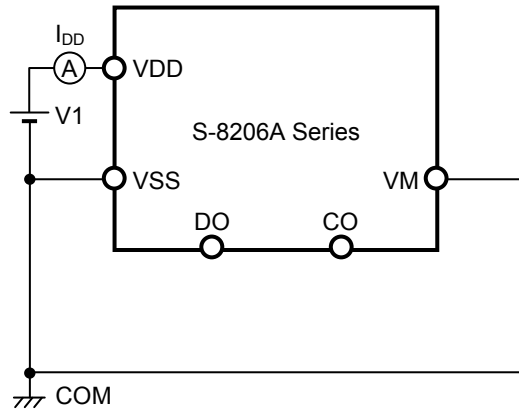


Figure 8 Test Circuit 2

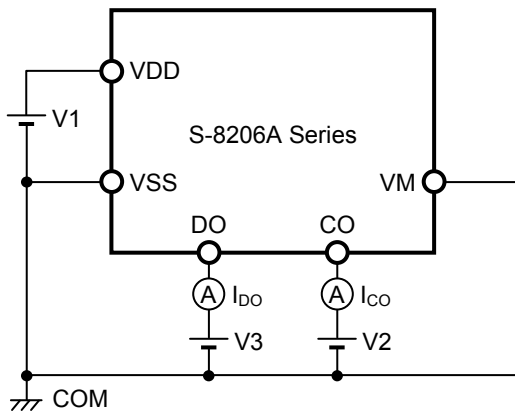


Figure 9 Test Circuit 3

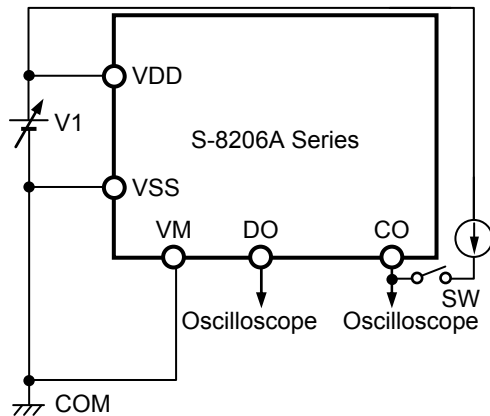


Figure 10 Test Circuit 4

■ Operation

Remark Refer to "■ Battery Protection IC Connection Example".

1. Overcharge detection status

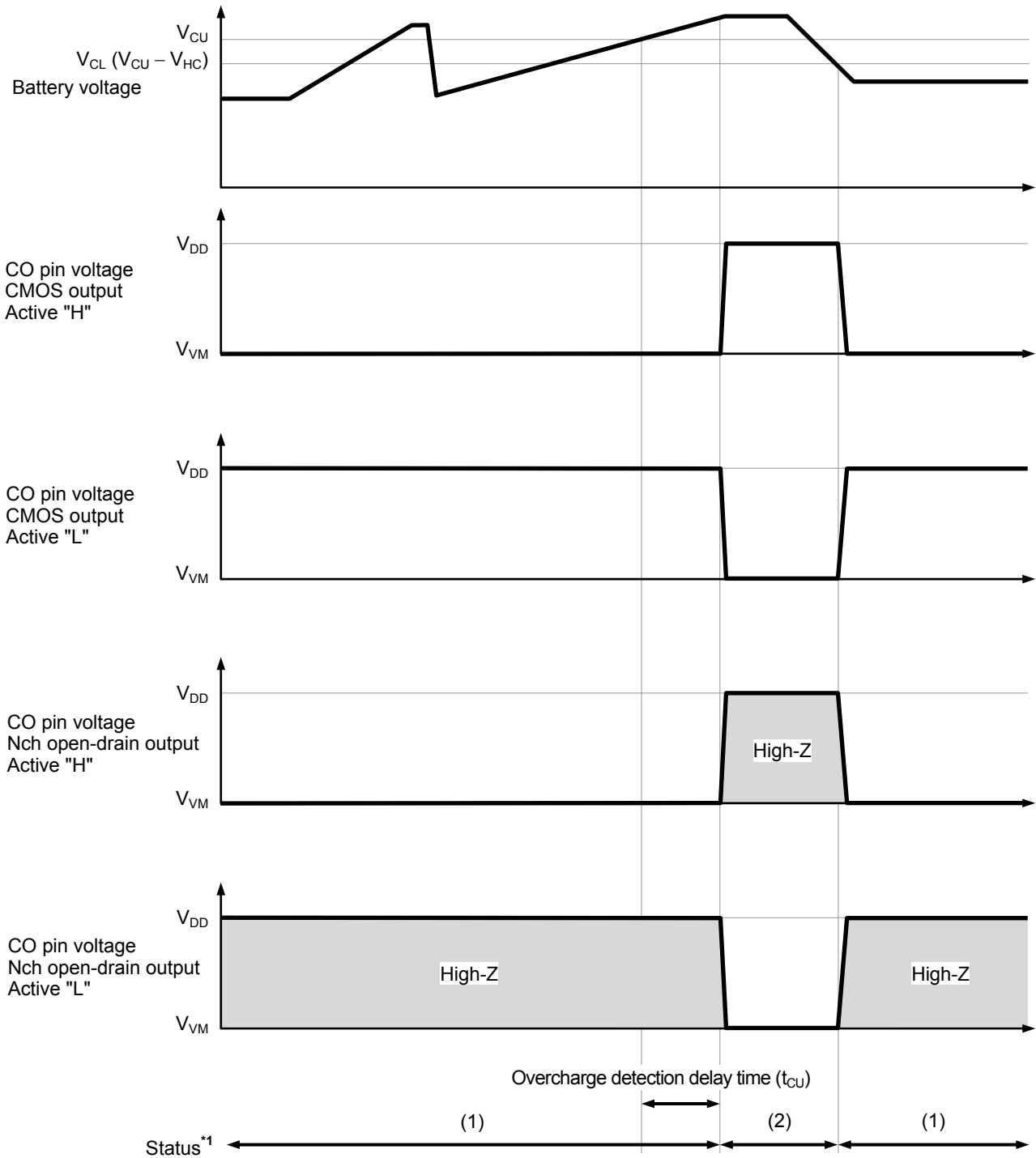
The S-8206A Series monitors the voltage of the battery connected between VDD pin and VSS pin to detect overcharge. When the battery voltage exceeds the overcharge detection voltage (V_{CU}) during charging in the normal status and the condition continues for the overcharge detection delay time (t_{CU}) or longer, the S-8206A Series outputs overcharge detection signal from the CO pin. This condition is called overcharge status. Connecting FET to the CO pin provides charge control and a second protection.

2. Test mode

t_{CU} can be shortened by forcibly setting the DO pin to V_{SS} level from external. When the DO pin is forcibly set to V_{SS} level from external, t_{CU} will be shortened to approximately 1/64.

■ **Timing Charts**

1. Overcharge detection



*1. (1): Normal status
 (2): Overcharge status

Figure 11

■ Battery Protection IC Connection Example

Figure 12 shows the connection example when CMOS output, active "H" product is used.

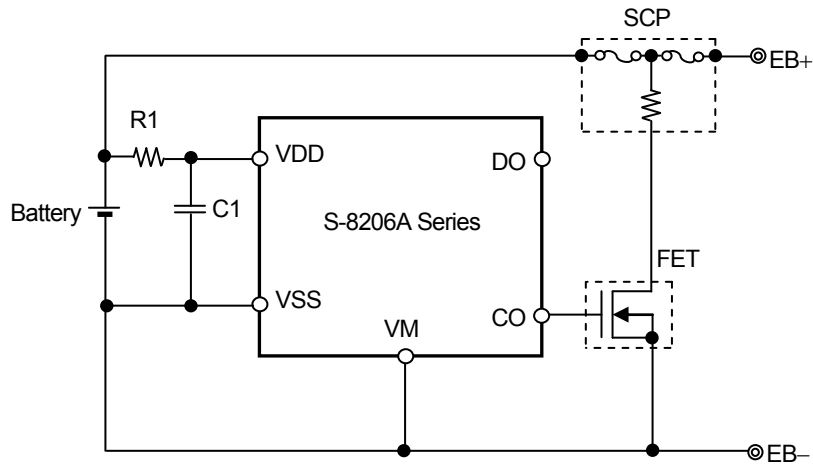


Figure 12

Table 8 Constants for External Components

Symbol	Part	Purpose	Min.	Typ.	Max.	Remark
FET	N-channel MOS FET	Charge control	-	-	-	-
R1	Resistor	ESD protection, For power fluctuation	150 Ω	330 Ω	1 kΩ	-
C1	Capacitor	For power fluctuation	0.068 μF	0.1 μF	1.0 μF	-

- Caution
1. The above constants may be changed without notice.
 2. It has not been confirmed whether the operation is normal or not in circuits other than the above example of connection. In addition, the example of connection shown above and the constant do not guarantee proper operation. Perform thorough evaluation using the actual application to set the constant.

[For SCP, contact]

Global Sales & Marketing Division, Dexerials Corporation
Gate City Osaki East Tower 8F, 1-11-2
Osaki, Shinagawa-ku, Tokyo, 141-0032, Japan
TEL +81-3-5435-3946
Contact Us: <http://www.dexerials.jp/en/>

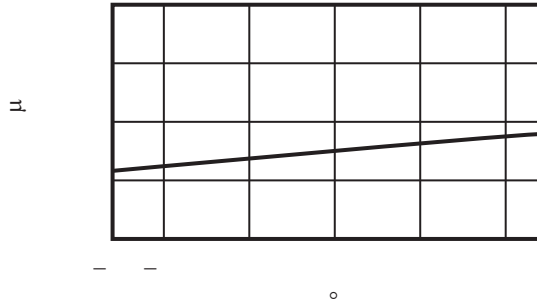
■ Precautions

- The application conditions for the input voltage, output voltage, and load current should not exceed the package power dissipation.
- Do not apply an electrostatic discharge to this IC that exceeds the performance ratings of the built-in electrostatic protection circuit.
- ABLIC Inc. claims no responsibility for any and all disputes arising out of or in connection with any infringement by products including this IC of patents owned by a third party.

■ Characteristics (Typical Data)

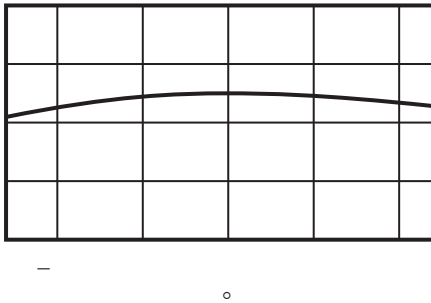
1. Current consumption

1.1 I_{OPE} vs. T_a

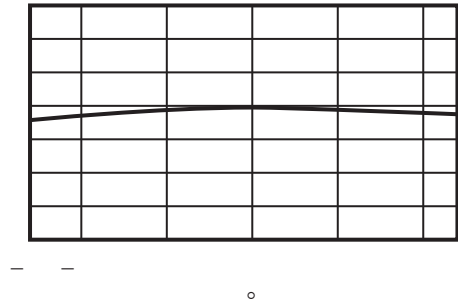


2. Detection voltage

2.1 V_{CU} vs. T_a

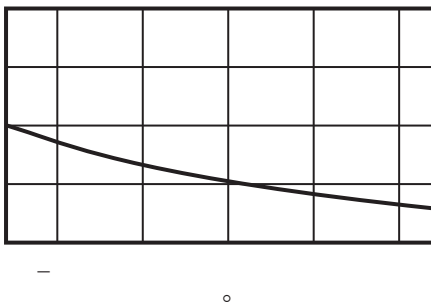


2.2 V_{CL} vs. T_a



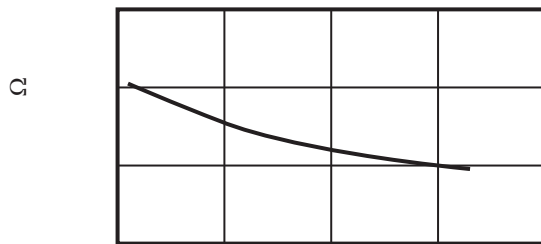
3. Delay time

3.1 t_{CU} vs. T_a

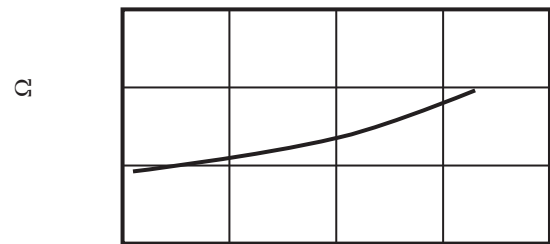


4. Output resistance

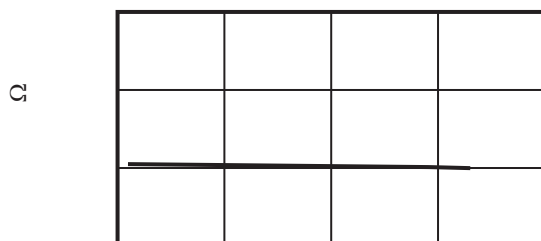
4.1 R_{COH1} vs. V_{CO}



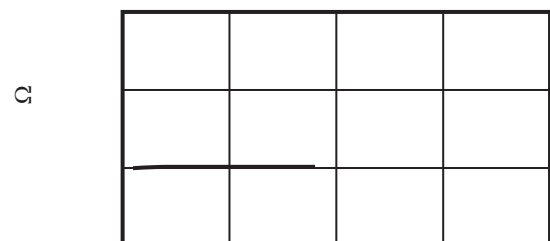
4.2 R_{COL1} vs. V_{CO}



4.3 R_{DOH} vs. V_{DO}

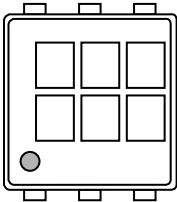


4.4 R_{DOL} vs. V_{DO}



■ Marking Specifications

1. SNT-6A

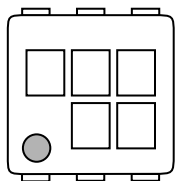


(1) to (3): Product code (refer to **Product name vs. Product code**)
 (4) to (6): Lot number

Product name vs. Product code

Product Name	Product Code		
	(1)	(2)	(3)
S-8206AAA-I6T1U	J	N	A
S-8206AAB-I6T1U	J	N	B
S-8206AAC-I6T1U	J	N	C
S-8206AAD-I6T1U	J	N	D
S-8206AAE-I6T1U	J	N	E
S-8206AAF-I6T1U	J	N	F
S-8206AAG-I6T1U	J	N	G
S-8206AAH-I6T1U	J	N	H
S-8206AAI-I6T1U	J	N	I

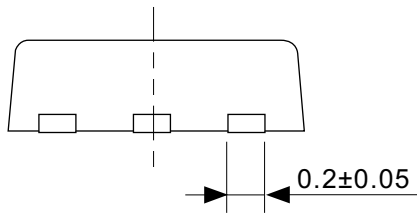
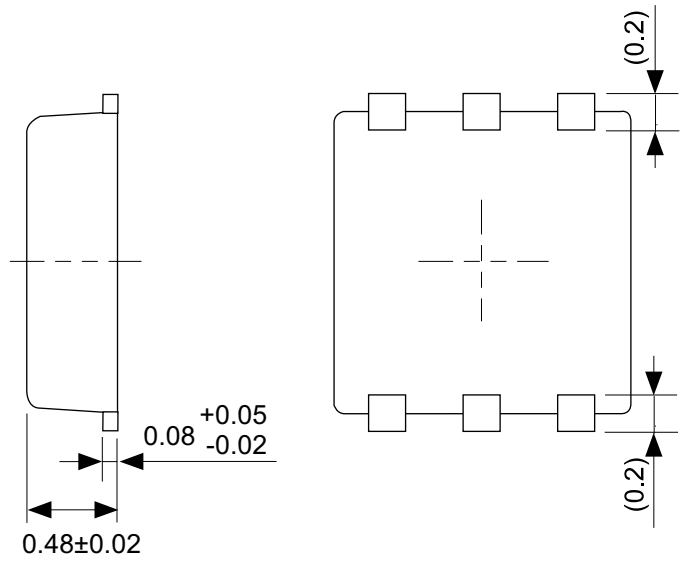
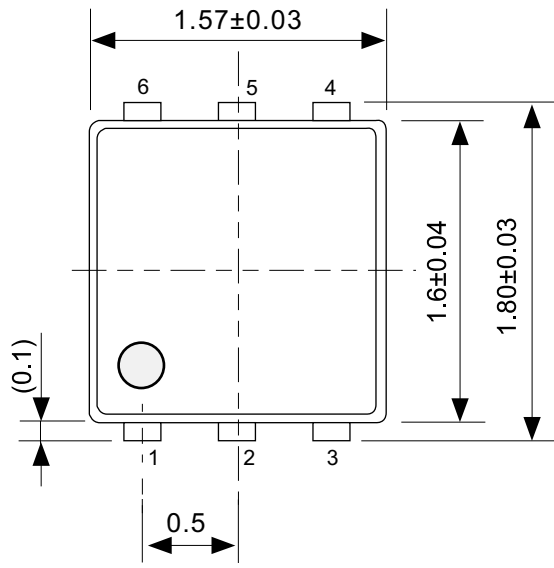
2. HSNT-6 (1212)



(1) to (3): Product code (refer to **Product name vs. Product code**)
 (4), (5): Lot number

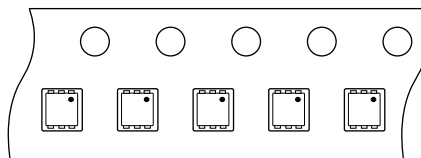
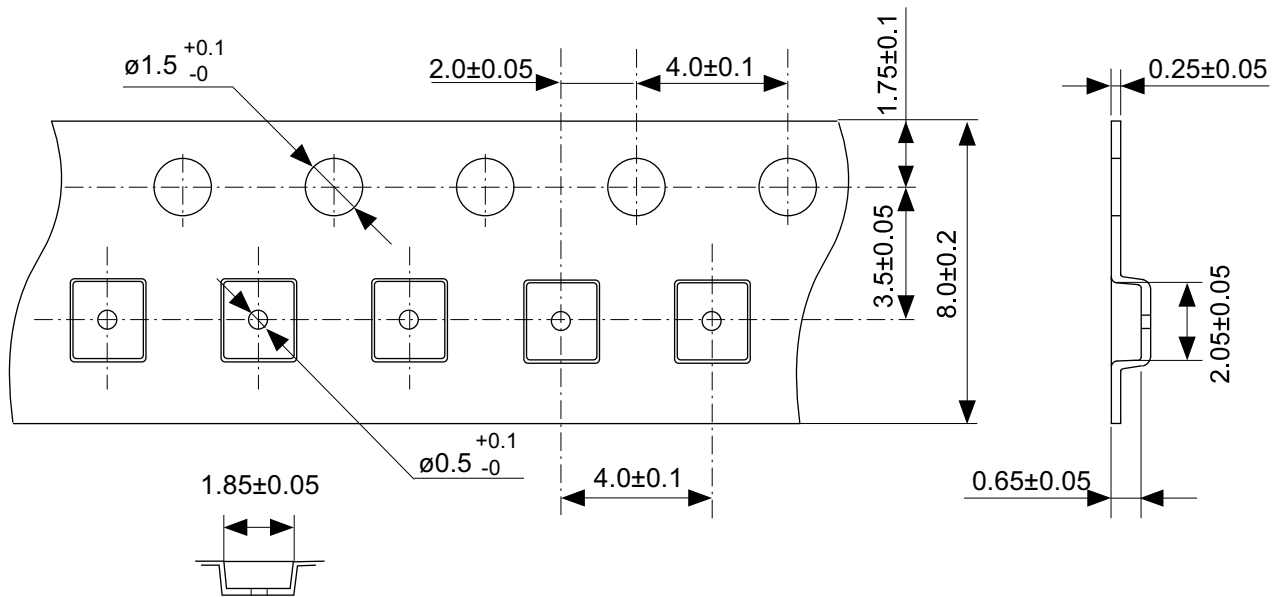
Product name vs. Product code

Product Name	Product Code		
	(1)	(2)	(3)
S-8206AAA-A6T2U	J	N	A
S-8206AAB-A6T2U	J	N	B



No. PG006-A-P-SD-2.1

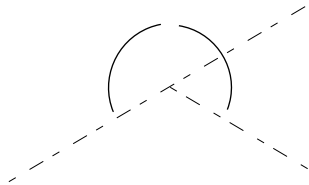
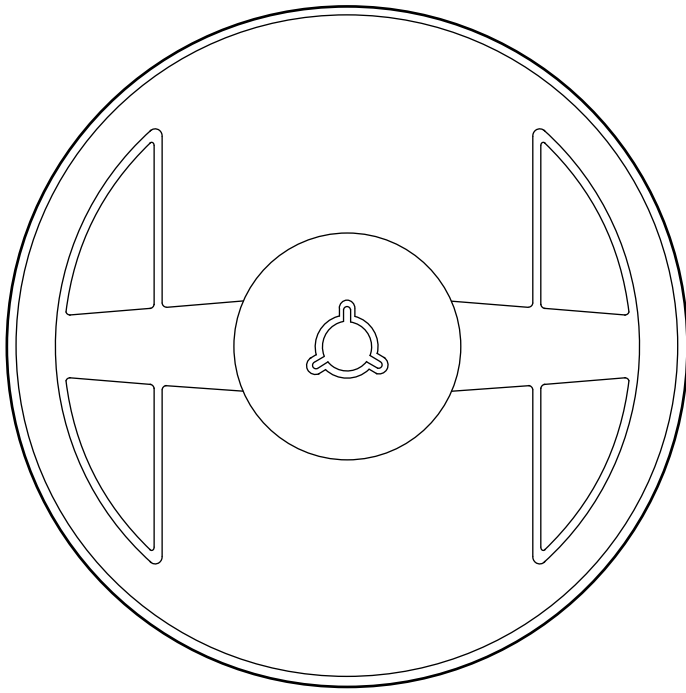
TITLE	SNT-6A-A-PKG Dimensions
No.	PG006-A-P-SD-2.1
ANGLE	
UNIT	mm
ABLIC Inc.	



Feed direction

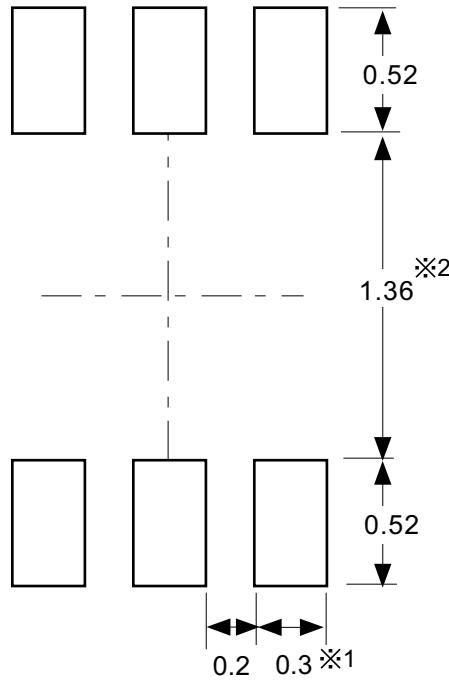
No. PG006-A-C-SD-2.0

TITLE	SNT-6A-A-Carrier Tape
No.	PG006-A-C-SD-2.0
ANGLE	
UNIT	mm
ABLIC Inc.	



TITLE	
No.	
ANGLE	
UNIT	

ABLIC Inc.



※1. ランドパターンの幅に注意してください (0.25 mm min. / 0.30 mm typ.).
 ※2. パッケージ中央にランドパターンを広げないでください (1.30 mm ~ 1.40 mm)。

- 注意
1. パッケージのモールド樹脂下にシルク印刷やハンダ印刷などしないでください。
 2. パッケージ下の配線上のソルダーレジストなどの厚みをランドパターン表面から0.03 mm以下にしてください。
 3. マスク開口サイズと開口位置はランドパターンと合わせてください。
 4. 詳細は“SNTパッケージ活用の手引き”を参照してください。

※1. Pay attention to the land pattern width (0.25 mm min. / 0.30 mm typ.).
 ※2. Do not widen the land pattern to the center of the package (1.30 mm ~ 1.40 mm).

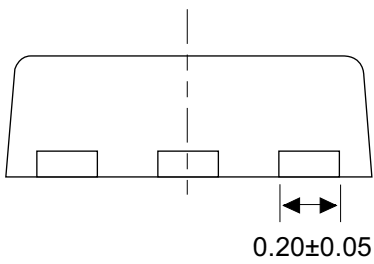
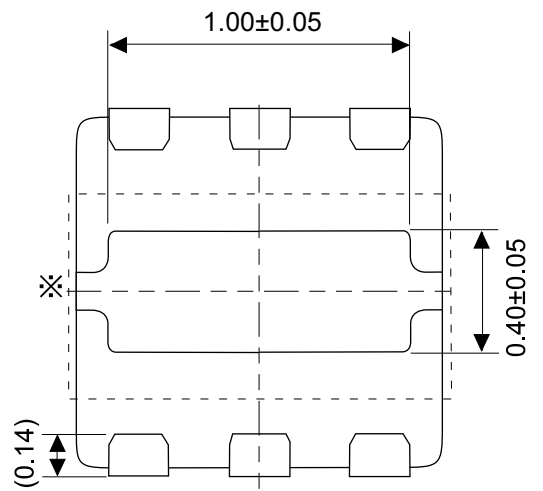
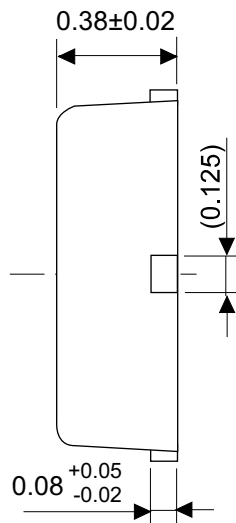
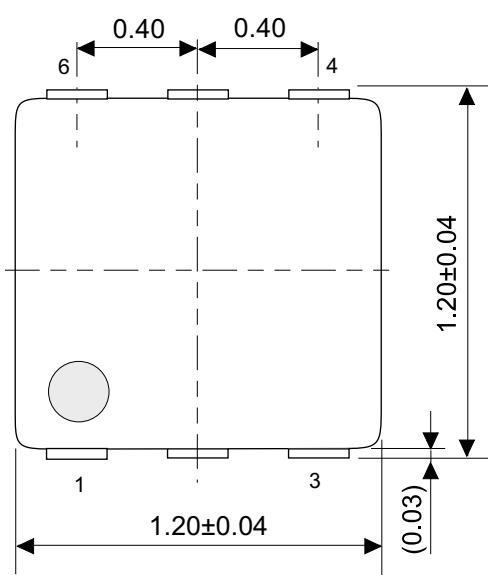
- Caution**
1. Do not do silkscreen printing and solder printing under the mold resin of the package.
 2. The thickness of the solder resist on the wire pattern under the package should be 0.03 mm or less from the land pattern surface.
 3. Match the mask aperture size and aperture position with the land pattern.
 4. Refer to "SNT Package User's Guide" for details.

※1. 间距 (0.25 mm min. / 0.30 mm typ.).
 ※2. 请勿向封装中间扩展焊盘模式 (1.30 mm ~ 1.40 mm)。

- 注意
1. 请勿在树脂型封装的下面印刷丝网、焊锡。
 2. 在封装下、布线上的阻焊膜厚度 (从焊盘模式表面起) 请控制在 0.03 mm 以下。
 3. 钢网的开口尺寸和开口位置请与焊盘模式对齐。
 4. 详细内容请参阅 "SNT 封装的应用指南"。

No. PG006-A-L-SD-4.1

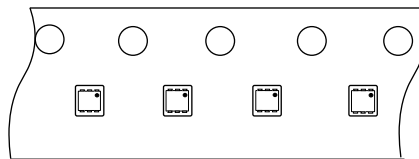
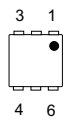
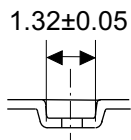
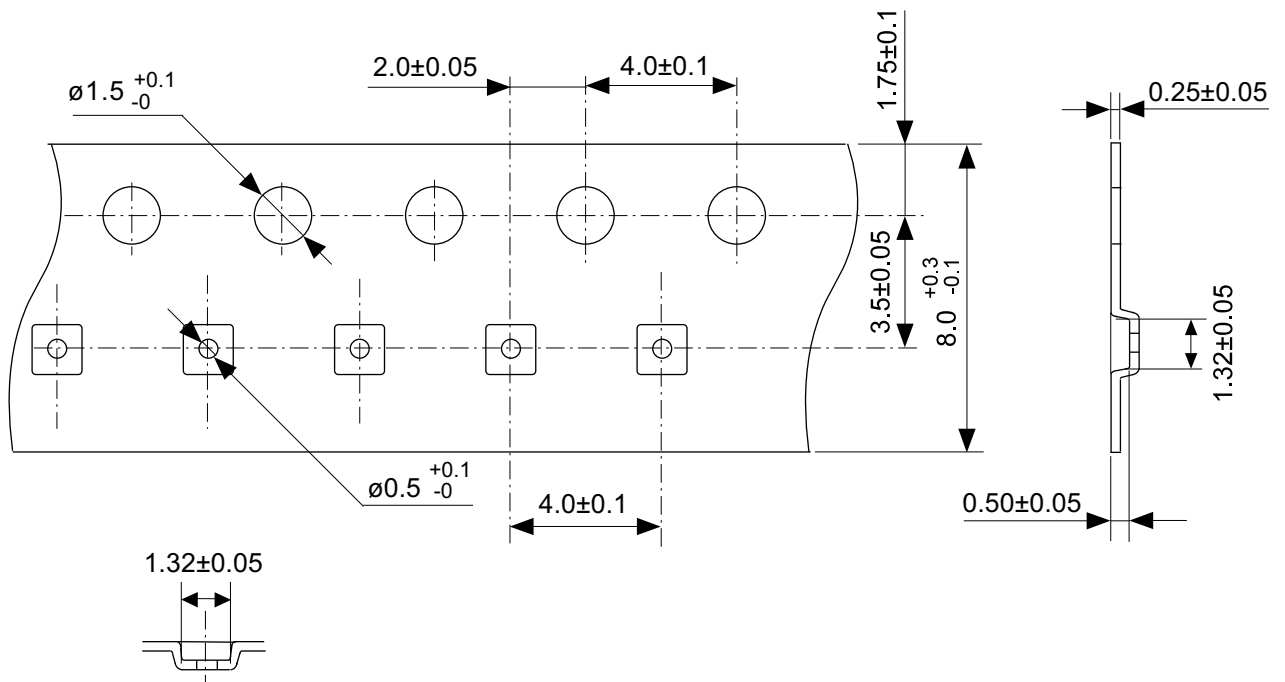
TITLE	SNT-6A-A -Land Recommendation
No.	PG006-A-L-SD-4.1
ANGLE	
UNIT	mm
ABLIC Inc.	



※ The heat sink of back side has different electric potential depending on the product.
 Confirm specifications of each product.
 Do not use it as the function of electrode.

No. PM006-A-P-SD-1.1

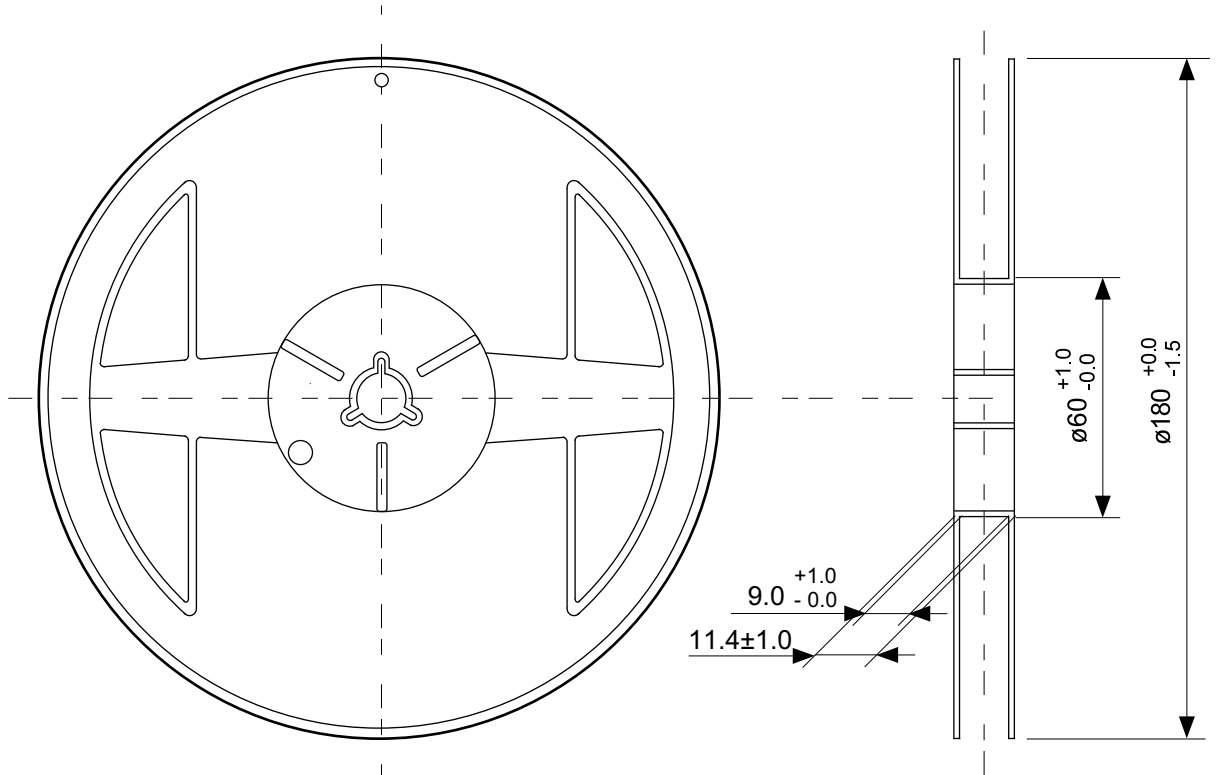
TITLE	HSNT-6-B-PKG Dimensions
No.	PM006-A-P-SD-1.1
ANGLE	
UNIT	mm
ABLIC Inc.	



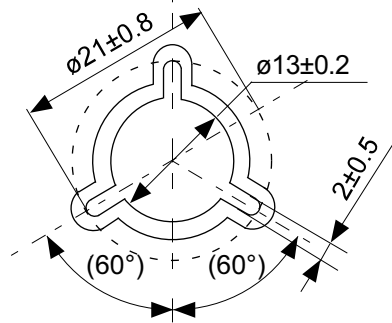
→
Feed direction

No. PM006-A-C-SD-2.0

TITLE	HSNT-6-B-Carrier Tape
No.	PM006-A-C-SD-2.0
ANGLE	
UNIT	mm
ABLIC Inc.	



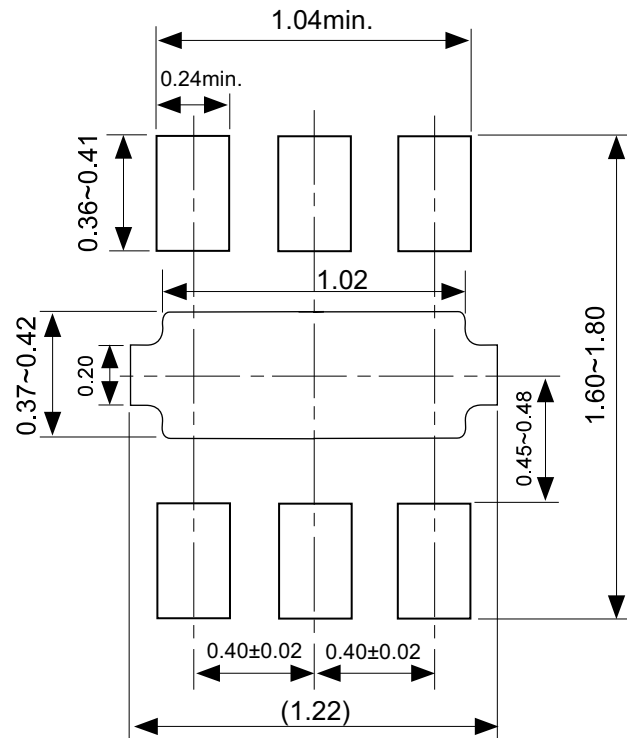
Enlarged drawing in the central part



No. PM006-A-R-SD-1.0

TITLE	HSNT-6-B-Reel		
No.	PM006-A-R-SD-1.0		
ANGLE		QTY.	5,000
UNIT	mm		
ABLIC Inc.			

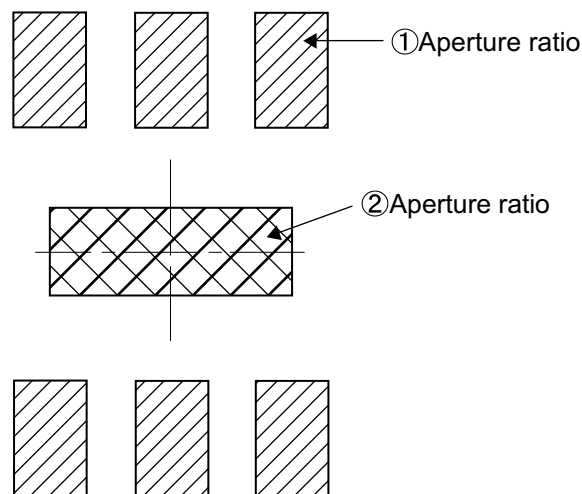
Land Pattern



Caution It is recommended to solder the heat sink to a board in order to ensure the heat radiation.

注意 放熱性を確保する為に、PKGの裏面放熱板(ヒートシンク)を基板に半田付けする事を推奨いたします。

Metal Mask Pattern



- Caution
- ① Mask aperture ratio of the lead mounting part is 100%.
 - ② Mask aperture ratio of the heat sink mounting part is 40%.
 - ③ Mask thickness: t0.10mm to 0.12 mm

- 注意
- ①リード実装部のマスク開口率は100%です。
 - ②放熱板実装のマスク開口率は40%です。
 - ③マスク厚さ: t0.10mm ~ 0.12 mm

No. PM006-A-L-SD-2.0

TITLE	HSNT-6-B -Land Recommendation
No.	PM006-A-L-SD-2.0
ANGLE	
UNIT	mm
ABLIC Inc.	

Disclaimers (Handling Precautions)

1. All the information described herein (product data, specifications, figures, tables, programs, algorithms and application circuit examples, etc.) is current as of publishing date of this document and is subject to change without notice.
2. The circuit examples and the usages described herein are for reference only, and do not guarantee the success of any specific mass-production design.
ABLIC Inc. is not responsible for damages caused by the reasons other than the products described herein (hereinafter "the products") or infringement of third-party intellectual property right and any other right due to the use of the information described herein.
3. ABLIC Inc. is not responsible for damages caused by the incorrect information described herein.
4. Be careful to use the products within their specified ranges. Pay special attention to the absolute maximum ratings, operation voltage range and electrical characteristics, etc.
ABLIC Inc. is not responsible for damages caused by failures and / or accidents, etc. that occur due to the use of the products outside their specified ranges.
5. When using the products, confirm their applications, and the laws and regulations of the region or country where they are used and verify suitability, safety and other factors for the intended use.
6. When exporting the products, comply with the Foreign Exchange and Foreign Trade Act and all other export-related laws, and follow the required procedures.
7. The products must not be used or provided (exported) for the purposes of the development of weapons of mass destruction or military use. ABLIC Inc. is not responsible for any provision (export) to those whose purpose is to develop, manufacture, use or store nuclear, biological or chemical weapons, missiles, or other military use.
8. The products are not designed to be used as part of any device or equipment that may affect the human body, human life, or assets (such as medical equipment, disaster prevention systems, security systems, combustion control systems, infrastructure control systems, vehicle equipment, traffic systems, in-vehicle equipment, aviation equipment, aerospace equipment, and nuclear-related equipment), excluding when specified for in-vehicle use or other uses. Do not apply the products to the above listed devices and equipments without prior written permission by ABLIC Inc. Especially, the products cannot be used for life support devices, devices implanted in the human body and devices that directly affect human life, etc.
Prior consultation with our sales office is required when considering the above uses.
ABLIC Inc. is not responsible for damages caused by unauthorized or unspecified use of our products.
9. Semiconductor products may fail or malfunction with some probability.
The user of the products should therefore take responsibility to give thorough consideration to safety design including redundancy, fire spread prevention measures, and malfunction prevention to prevent accidents causing injury or death, fires and social damage, etc. that may ensue from the products' failure or malfunction.
The entire system must be sufficiently evaluated and applied on customer's own responsibility.
10. The products are not designed to be radiation-proof. The necessary radiation measures should be taken in the product design by the customer depending on the intended use.
11. The products do not affect human health under normal use. However, they contain chemical substances and heavy metals and should therefore not be put in the mouth. The fracture surfaces of wafers and chips may be sharp. Be careful when handling these with the bare hands to prevent injuries, etc.
12. When disposing of the products, comply with the laws and ordinances of the country or region where they are used.
13. The information described herein contains copyright information and know-how of ABLIC Inc.
The information described herein does not convey any license under any intellectual property rights or any other rights belonging to ABLIC Inc. or a third party. Reproduction or copying of the information from this document or any part of this document described herein for the purpose of disclosing it to a third-party without the express permission of ABLIC Inc. is strictly prohibited.
14. For more details on the information described herein, contact our sales office.

2.2-2018.06