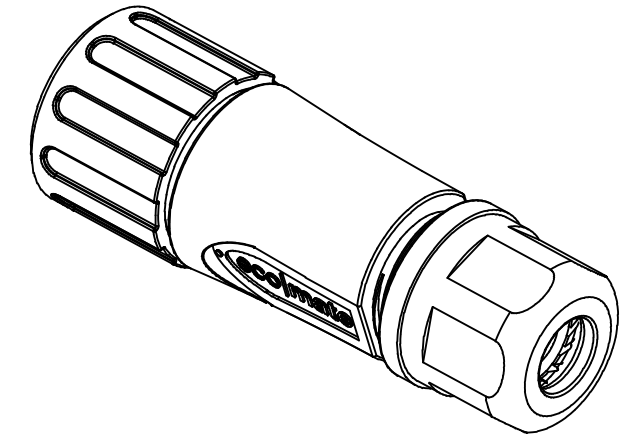
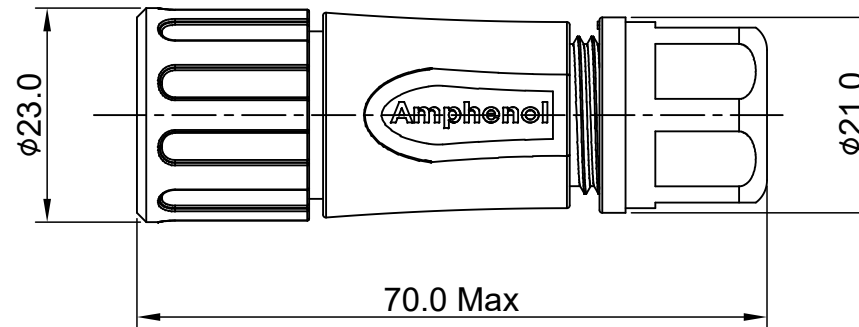
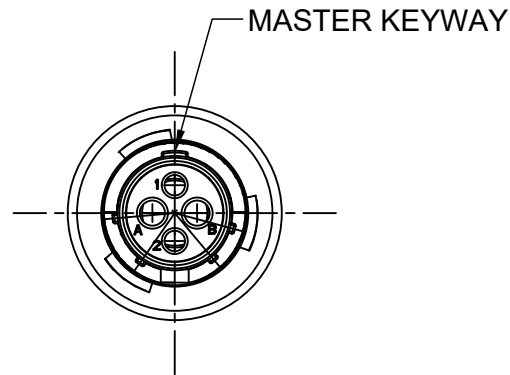


REVISIONS					
REV	ECO	DESCRIPTION	DATE	BY	APPR
A1	--	RELEASED DRAWING	Aug-3-2016	Ben	Tommy
A2	--	UPDATE NOTES	Jun-20-2017	Nick	Tommy
A3	--	UPDATE DRAWING	Mar-16-2018	White	Tommy



NOTES : (UNLESS OTHERWISE SPECIFIED)

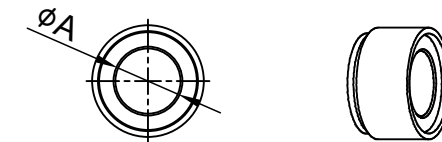
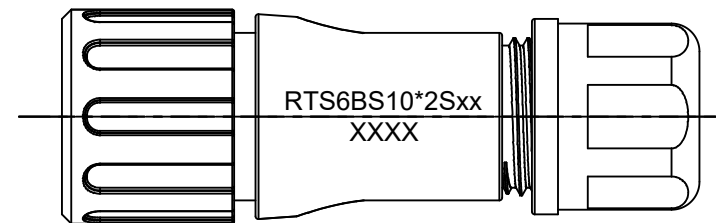
1. MATERIAL :

- SHELL : THERMOPLASTIC , UL94 V-0.
- INSERT : THERMOPLASTIC , UL94 V-0.
- COUPLING NUT : THERMOPLASTIC , UL94 V-0.
- O-RING : NBR/SILICONE RUBBER.
- WASHER : SILICONE RUBBER.
- BACK SHELL : THERMOPLASTIC , UL94 V-0.
- CLAMP NUT : THERMOPLASTIC , UL94 V-0.
- CLAMP RING : THERMOPLASTIC , UL94 V-0.
- CABLE SEAL : EPDM.

2. SPECIFICATIONS :

- 2.1 RATED CURRENT :
 - 2.1.1 16# CONTACT 13A (MAX) .
 - 2.1.2 20# CONTACT 5A (MAX).
- 2.2 RATED VOLTAGE : 500V(AC/DC).
- 2.3 OPERATING TEMPERATURE : SEE TABLE .
- 2.4 DIELECTRIC WITHSTANDING VOLTAGE : LESS THAN 2 MILLIAMPS CURRENT LEAKAGE@2000 VOLTS AC.
- 2.5 INSULATION RESISTANCE : 5000 MEGOHMS MIN.
- 2.6 IP--CLASS : IP67 AND IP69K IN THE MATED CONDITION.
- 2.7 MATING CYCLES DURABILITY : 500 CYCLES MIN.
- 2.8 RoHS COMPLIANT.

- 3. SUITABLE CONTACTS : 16# & 20# CONTACTS.
- 4. ALL DIMENSIONS ARE FOR REFERENCE USE ONLY.



DIMENSION ϕA	CABLE OD RANGE
7.0MM	4.0-6.5MM
8.8MM	5.0-8.8MM

KEY	PART NUMBER	
	-40°C ~ +105°C	-40°C ~ +125°C
N	RTS6BS10N2S	RTS6BS10N2S03

QUANTITY	PART NUMBER	DESCRIPTION	ITEM														
MATERIALS LIST																	
UNLESS OTHERWISE SPECIFIED 1) All dimensions are in metric(mm). 2) Tolerances are as follows: 1 PL DEC ± 0.30 Fractions $\pm 1/64$ 2 PL DEC ± 0.15 Angles $\pm 1^\circ$ 3 PL DEC ± 0.08 3) Note reference =		<table border="1"> <thead> <tr> <th>SIGNATURES</th> <th>DATE</th> </tr> </thead> <tbody> <tr> <td>DRAWN: White</td> <td>Mar-16-2018</td> </tr> <tr> <td>CHECKED: Tod</td> <td>Mar-16-2018</td> </tr> <tr> <td>ENGINEER:</td> <td></td> </tr> <tr> <td>APPROVAL: Tommy</td> <td>Mar-16-2018</td> </tr> </tbody> </table>		SIGNATURES	DATE	DRAWN: White	Mar-16-2018	CHECKED: Tod	Mar-16-2018	ENGINEER:		APPROVAL: Tommy	Mar-16-2018				
SIGNATURES	DATE																
DRAWN: White	Mar-16-2018																
CHECKED: Tod	Mar-16-2018																
ENGINEER:																	
APPROVAL: Tommy	Mar-16-2018																
MATERIAL SPECIFICATIONS:		<p style="text-align: center;">Amphenol</p> <p>Sine Systems - www.amphenol-sine.com 44724 Morley Drive Clinton Township, MI 48036</p>															
PROCESS SPECIFICATIONS:		<p>ECO-MATE, PLUG, BACK SHELL, SIZE 10,4 POS(2+2), SOCKET.</p>															
NEXT ASSY:		<table border="1"> <tr> <td>SIZE</td> <td>TYPE</td> <td>DWG NO:</td> <td>REVISION</td> </tr> <tr> <td>B</td> <td>C-</td> <td>RTS6BS10*2Sxx</td> <td>A3</td> </tr> </table>	SIZE	TYPE	DWG NO:	REVISION	B	C-	RTS6BS10*2Sxx	A3	<table border="1"> <tr> <td>SCALE:</td> <td>SHEET</td> <td>OF</td> </tr> <tr> <td>NONE</td> <td>1</td> <td>1</td> </tr> </table>	SCALE:	SHEET	OF	NONE	1	1
SIZE	TYPE	DWG NO:	REVISION														
B	C-	RTS6BS10*2Sxx	A3														
SCALE:	SHEET	OF															
NONE	1	1															

TITLE: ECO-MATE, PLUG, BACK SHELL, SIZE 10,4 POS(2+2), SOCKET.

DWG NO:

RTS6BS10*2Sxx

REV: A3

SH: 1

OF: 1