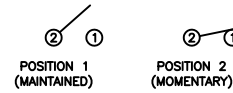


SCHEMATIC



SPECIFICATIONS

FUNCTION:
1P1T OFF-(ON)

RATINGS:
ANSI/UL 1054 and CAN/CSA C22.2 No. 55 (E194579):
10A 125VAC [UR, cUR]
NOM-003-SCFI-2000 (200801C11357):
10A 125V~ [NOM]
6A 250V~ [NOM]
EN 61058-1:2002+A2 (SE/09138-2):
6(2)A 250V~ 1E4 μ T125/55 [ENEC14]

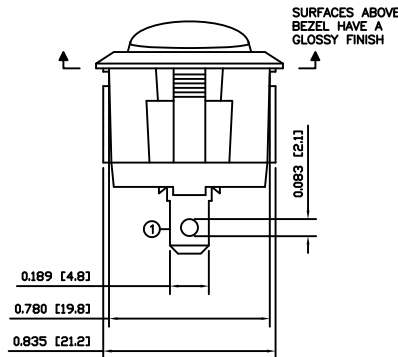
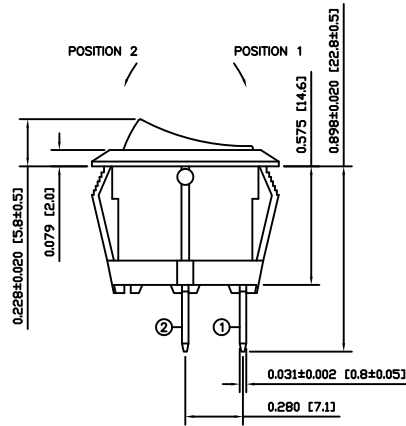
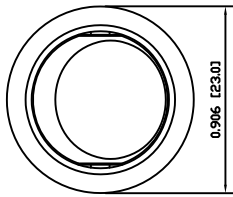
CONTACT RESISTANCE:
Initial: 35mΩ Max. at 50VAC

INSULATION RESISTANCE:
100MΩ Min. at 500VAC

DIELECTRIC STRENGTH:
1,500VAC For 1 Minute

ELECTRICAL LIFE:
6,000 Cycles [UR, cUR, NOM]
10,000 Cycles [ENEC14]

TEMPERATURE:
Operating: -20°C to 105°C [UR, cUR, NOM]
Operating: -20°C to 125°C [ENEC14]



COLORS AND MARKINGS

BODY:
Black

ACTUATOR:
Black

MARKINGS:
None

MARKING COLOR:
None

MATERIALS

BODY:
Polyamide 6/6 (PA66), UL94 V-2

ACTUATOR:
Polyamide 6/6 (PA66), UL94 V-2

SPRING:
Steel

SPRING HOLDER:
Brass

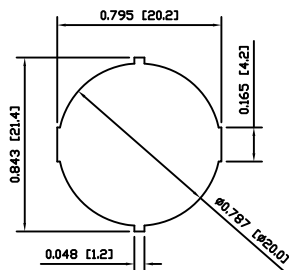
PLUNGER:
Polyamide 6/6 (PA66), UL94 V-2

MOBILE CONTACT:
Silver Plated Copper

CONTACT PADS:
Silver Alloy Clad Copper (AgSnO2In203(10)/Cu)

TERMINALS:
Silver Plated Copper

SUGGESTED PANEL CUTOUT



ACTUATOR	A	09/06/30	CAB
BODY	A	09/06/30	CAB
COLORS	A	09/06/30	CAB
MATERIALS	A	09/06/30	CAB
SPECIFICATIONS	B	11/05/05	CAB
REFERENCE	REV.	DATE	BY

THE INFORMATION CONTAINED IN THIS DOCUMENT IS PROPRIETARY TO E-SWITCH AND IS NOT TO BE COPIED OR TRANSFERRED

C	REMOVED SEMKO RATING	23471	07/24/18	MJR
B	CHANGED VDE APPROVAL TO SEMKO APPROVAL	19910	11/05/06	CAB
A	INITIAL RELEASE	18994	10/02/23	CAB
REV.	DESCRIPTION	PCR	DATE	DRAWN BY

DIMENSIONS	
INCHES [MILLIMETERS]	
GENERAL TOLERANCES	
±0.008 [±0.2] / ±1'	
SCALE	PROJECTION
DRAWING NOT TO SCALE	1st Angle

<p>RRG38431100</p>			
ITEM NUMBER	DATE	REVISION	
38-RRG38431100	MAY 6, 2011	C	