

Data Sheet

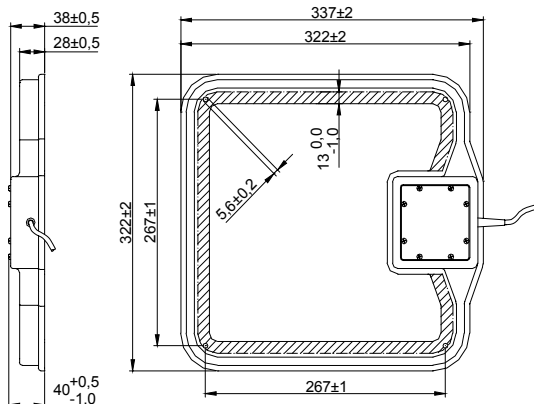
HF Reader System Series 6000 Gate Antenna



This antenna is a single-loop transmit/receive antenna with pre-set matching electronics for a transmitter frequency of 13.56MHz and impedance of 50Ω.

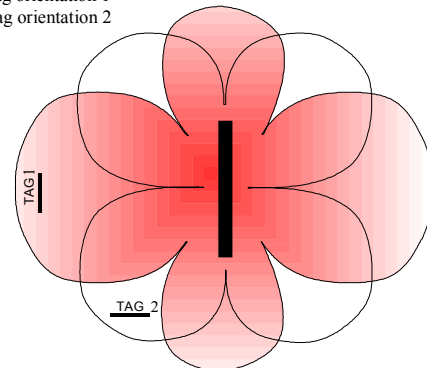
Specifications:

Part number	RI-ANT-T01A
Operating Frequency	13.56MHz
Impedance	50 Ohm ± 10 Ohm ∠ 0° ± 13°
Maximum RF power	8W
Operating Temperature	-25°C to +55°C
Storage Temperature	-25°C to +60°C
Case Material	Plastic ABS, black
Protection Class	IP65
Vibration	According to IEC-68-2-6 (10Hz to 150Hz: 0.15mm/2g)
Shock	According to IEC-68-2-27 (acceleration: 30g)
Dimensions (L x W x H)	337mm x 322mm x 38mm 337mm x 322mm x 40mm (incl. screw heads)
Weight	700g
Connector	SMA male (50 Ohm)
Cable	Type: RG58; Length: 3.6m ± 0.1m



Readout Pattern

- Tag orientation 1
- Tag orientation 2



For more information, contact the sales office or distributor nearest you. This contact information can be found on our web site at: <http://www.ti-rfid.com>

Texas Instruments reserves the right to change its products and services at any time without notice. TI provides customer assistance in various technical areas, but does not have full access to data concerning the uses and applications of customers products. Therefore, TI assumes no responsibility for customer product design or for infringement of patents and/or the rights of third parties, which may result from assistance provided by TI.