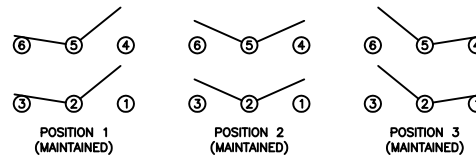


SCHMATIC



SPECIFICATIONS

FUNCTION:
2P2T ON-OFF-ON

RATINGS:
ANSI/UL 1054 and CAN/CSA C22.2 No. 55 (E194579):
16A 125VAC [cURus]
16A 250VAC [cURus]

CONTACT RESISTANCE:
Initial: 20mΩ Max.

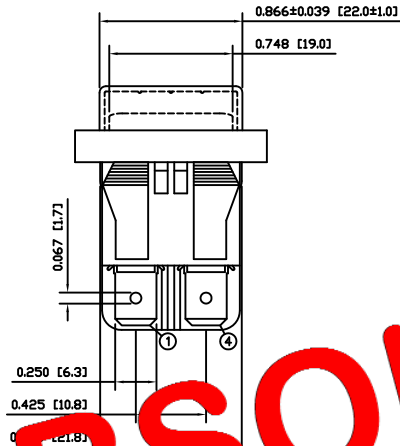
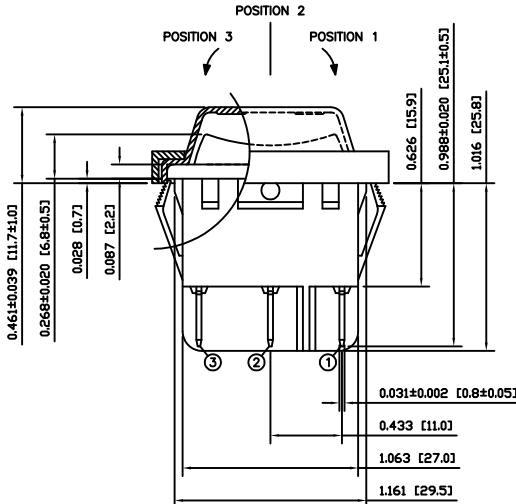
INSULATION RESISTANCE:
100MΩ Min. at 500VDC

DIELECTRIC STRENGTH:
1,000VAC For 1 Minute

ELECTRICAL LIFE:
6,000 Cycles [cURus]

TEMPERATURE:
-20°C to 65°C [cURus]

APPROVALS:
 RoHS COMPLIANT



OBSOLETE
November 2017
PCR 23077

COLORS AND MARKINGS

Black
ACTUATOR
Black
MARKING:
None
MARKING COLOR:
None
FRAME:
Black

MATERIALS

BODY:
Polyamide 6/6 (PA66), UL94 V-2

ACTUATOR:
Polyamide 6/6 (PA66), UL94 V-2

SPRING:
Piano Wire

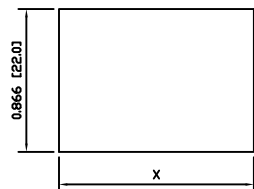
CONTACTS:
Silver Alloy

TERMINALS:
Silver Plated Copper
Silver Plated Brass

CAP:
Polyvinyl Chloride (PVC)

FRAME:
Polyamide 6/6 (PA66), UL94 V-2

SUGGESTED PANEL CUTOUT



PANEL THICKNESS	X
0.030~0.049 [0.75~1.25]	1.189 [30.2]
0.049~0.079 [1.25~2.00]	1.200 [30.5]

ACTUATOR	A	09/06/25	CAB
BODY	A	09/06/25	CAB
COLORS	A	09/06/25	CAB
MATERIALS	A	09/07/06	CAB
SPECIFICATIONS	A	09/07/02	CAB
REFERENCE	REV.	DATE	BY

THE INFORMATION CONTAINED IN THIS DOCUMENT IS PROPRIETARY TO E-SWITCH AND IS NOT TO BE COPIED OR TRANSFERRED

B	UPDATE DESCRIPTION	20365	12/22/11	BMA
A	INITIAL RELEASE	PCRD0213	09/11/23	CAB
REV.	DESCRIPTION	PCR	DATE	DRAWN BY

DIMENSIONS	
INCHES [MILLIMETERS]	
GENERAL TOLERANCES	
±0.008 [±0.2] / ±1'	
SCALE	PROJECTION
DRAWING NOT TO SCALE	

RB246E1100ACCF021

DRAWING NUMBER 14-RB2500154	DATE NOVEMBER 23, 2009	REVISION B
--------------------------------	---------------------------	---------------