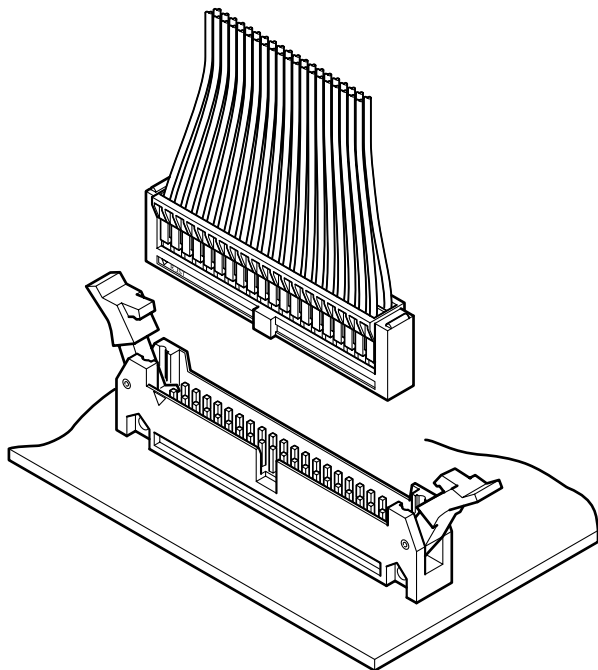


RA CONNECTOR

Disconnectable Crimp style connectors



Crimp style receptacles that are designed to mate with headers conforming to MIL-C-83503. The low insertion force contacts reduce surface finish wear and resist stress relaxation very well.



Features

• **Secure locking mechanism (RA, RX headers)**

The locking levers are engaged by inserting the receptacle into the header. This ensures a firm connection that's highly resistant to impact and vibration.

• **Housing lances**

The contact retention lances on the resilient housing allow visual confirmation of contact lock-in for easy and secure insertion.

• **Low insertion force contact**

The low insertion force contacts reduce surface finish wear and reduce the effects of stress relaxation.

• **Anti-misinsertion feature**

The guide devices of both housing and header prevent reverse connector insertion.

Specifications

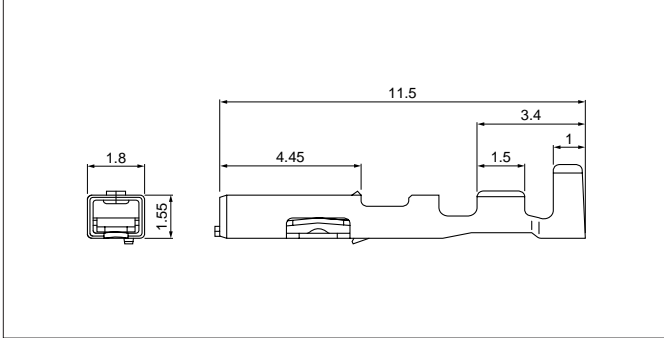
- Current rating: 1.0 A AC, DC (AWG #22)
 - Voltage rating: 300 V AC, DC
 - Temperature range: -55°C to +85°C
(including temperature rise in applying electrical current)
 - Contact resistance: Initial value/15 mΩ max.
After environmental tests/ 30 mΩ max.
 - Insulation resistance: 1,000 MΩ min.
 - Withstanding voltage: 1,000 VAC/minute
 - Applicable wire: AWG #26 to #22
 - Applicable PC board thickness: 1.6 mm
- * Refer to "General Instruction and Notice when using Terminals and Connectors" at the end of this catalog.
* Contact JST for details.
* Compliant with RoHS.

Standards

Recognized E60389

RA CONNECTOR

Contact



Model No.	Applicable wire		Insulation O.D. (mm)	Q'ty/ reel
	mm ²	AWG#		
RA-SC1290	0.13 to 0.33	26 to 22	1.3 to 1.7	8,000

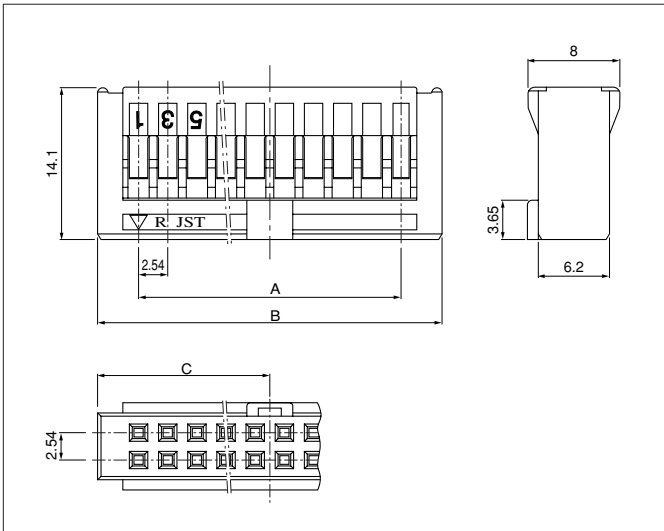
Material and Finish

Phosphor bronze, tin-plated (reflow treatment)

RoHS compliance

Note: Contact JST for gold-plated contacts.

Housing



Circuits	Model No.	Dimensions (mm)			Q'ty/ box
		A	B	C	
10	RA-1011	10.16	17.50	8.75	500
16	RA-1611	17.78	25.12	12.56	500
20	RA-2011	22.86	30.20	15.10	500
26	RA-2611	30.48	37.82	18.91	500
30	RA-3011	35.56	42.90	21.45	200
34	RA-3411	40.64	47.98	23.99	500
40	RA-4011	48.26	55.60	27.80	200
50	RA-5011	60.96	68.30	34.15	200
60	RA-6011	73.66	81.00	40.50	200

Material

Glass-filled PBT, UL94V-0, black

RoHS compliance

Header

The following headers are applicable to the above Housing.

RA header		
Circuits	Top entry type	Side entry type
10	RA-H101TD-1190	RA-H101SD-1190
16	RA-H161TD-1190	RA-H161SD-1190
20	RA-H201TD-1190	RA-H201SD-1190
26	RA-H261TD-1190	RA-H261SD-1190
30	RA-H301TD-1190	—
34	RA-H341TD-1190	RA-H341SD-1190
40	RA-H401TD-1190	RA-H401SD-1190
50	RA-H501TD-1190	RA-H501SD-1190
60	RA-H601TD-1190	RA-H601SD-1190

RoHS compliance This product displays (LF)(SN) on a label.

Note: Contact JST for gold-plated headers.

Crimping machine, Applicator

Contact	Crimping machine	Crimp applicator	Dies	Crimp applicator with dies
RA-SC1290	AP-K2N	MKS-L	MK/RA-SC12	APLMK RA-SC12
		*MKS-SC	*SC/RA-SC12	APLSC RA-SC12

Note: *Strip-crimp applicator