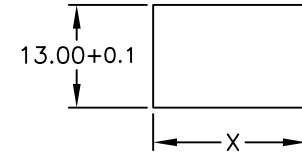
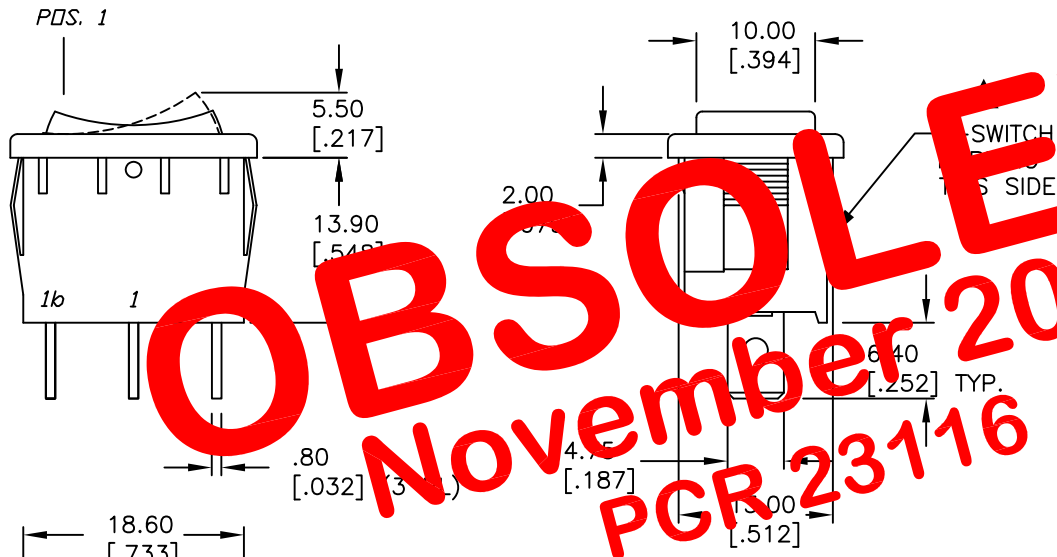


PANEL THICKNESS	X dimension
0.75-1.25 [0.030-.049]	19.2-0.1 [0.756]
1.25-2.0 [0.049-.079]	19.4-0.1 [0.764]
2.0-3.0 [0.079-.118]	19.8-0.1 [0.780]

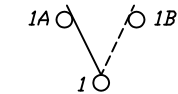


PANEL CUTOUT
NOT TO SCALE



	SWITCH FUNCTION		
PDS. 1	PDS. 2	PDS. 3	
<ON>	OFF	<ON>	
1-1a	OPEN	1-1b	

< > = MOMENTARY

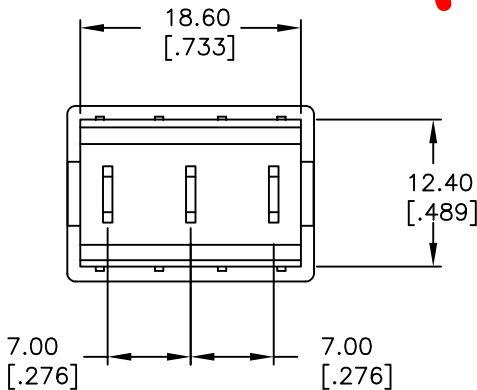


CIRCUIT: SPDT

OBSOLETE
November 2017
PCR 23116

NOTES:

1. ALL DIMENSIONS IN MM [INCH]
2. GENERAL TOLERANCE: X.X=±0.4
X.XX=±0.25
3. TERMINAL NUMBERS FOR REF ONLY
4. RATING: 15A @ 125VAC OR
6A @ 250VAC
5. MATERIALS: TERMINALS: Silver Plated Copper Alloy
CONTACTS: Coin Silver, Silver Plated
6. ELECTRIC LIFE: 10,000 cycles
7. MECHANICAL LIFE: 15,000 cycles
8. CONTACT RESISTANCE: <10 Mega-OHM
9. INSULATION RESISTANCE: >1000 Mega-OHM
10. DIELECTRIC STRENGTH: >1500 V 1 minute
>3000 V between poles
11. OPERATING TEMP: -30°C to +85°C



E-SWITCH®

REV.	ECN No.	DESCRIPTION	DATE	CHKD
B	12670	REVISED MARKING COLOR	12/26/02	CJB
A	12229	RELEASED FOR PRODUCTION	6/12/02	CJB

TITLE				
R1966I BLK BLK AF				
SCALE	DATE	DR	DWG	REV
1.5:1	6/12/02	CB	M306212	B

THE INFORMATION CONTAINED IN THIS DOCUMENT IS PROPRIETARY TO E-SWITCH AND IS NOT TO BE COPIED OR TRANSFERRED