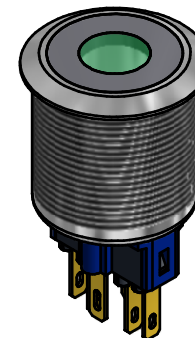
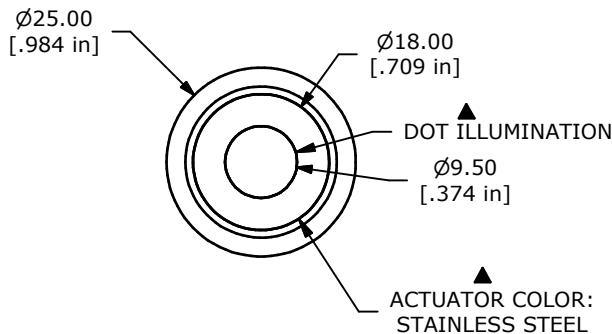
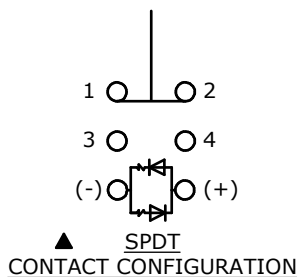


PANEL CUTOUT  
MAX. PANEL THICKNESS 12mm

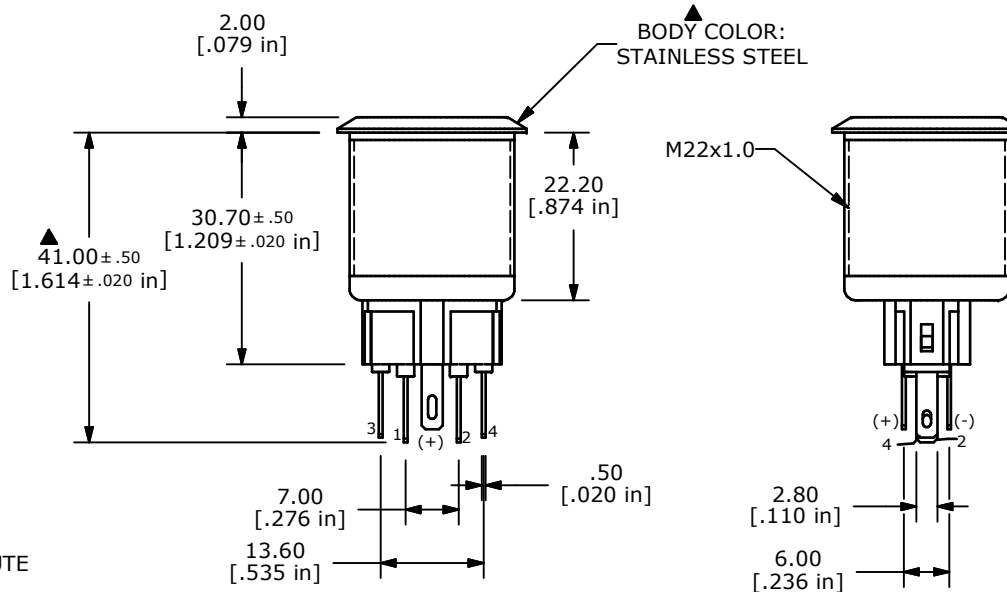
SWITCH FUNCTION	
POS. 1	POS. 2
1-2	3-4



ACTUATOR COLOR:  
STAINLESS STEEL



SPDT  
CONTACT CONFIGURATION



BODY COLOR:  
STAINLESS STEEL

M22x1.0

- NOTE:
1. ALL DIMENSIONS IN MM [INCH]
  2. GENERAL TOLERANCE: X.X = ± 0.4  
X.XX = ± 0.25
  3. TERMINAL NOS. FOR REF. ONLY
  4. FUNCTION: SPDT
  5. RATING: 2A @ 48VDC
  6. ILLUMINATION VOLTAGE: 2.8V
  7. CONTACT RESISTANCE: 50mΩ MAX. @ 1A 12VDC
  8. INSULATION RESISTANCE: 1,000MΩ @ 500VDC
  9. DIELECTRIC STRENGTH: 2,000VAC MIN. FOR 1 MINUTE
  10. ELECTRICAL LIFE: 50,000 CYCLES
  11. OPERATING TEMPERATURE: -20°C TO 55°C
  12. INGRESS PROTECTION: IP65
  13. ▲DENOTES CRITICAL PARAMETER
  13. 2002/95/EC (ROHS) COMPLIANT
  14. ILLUMINATION COLOR: GREEN (FORWARD), GREEN (REVERSE)
  15. HARDWARE INCLUDED: HEX NUT AND O-RING (NOT SHOWN)
  16. CONTACTS: SILVER PLATED



TITLE PV7F2T0SS-231

A	21282	RELEASE FOR PRODUCTION	10/25/13	EBP
REV	PCR NO	DESCRIPTION	DATE	BY

THE INFORMATION CONTAINED IN THIS DOCUMENT IS PROPRIETARY TO E-SWITCH AND IS NOT TO BE COPIED OR TRANSFERRED

SCALE	DATE	DR	DWG	REV
	10/25/2013	EBP	52-PV7F2T0SS231	A