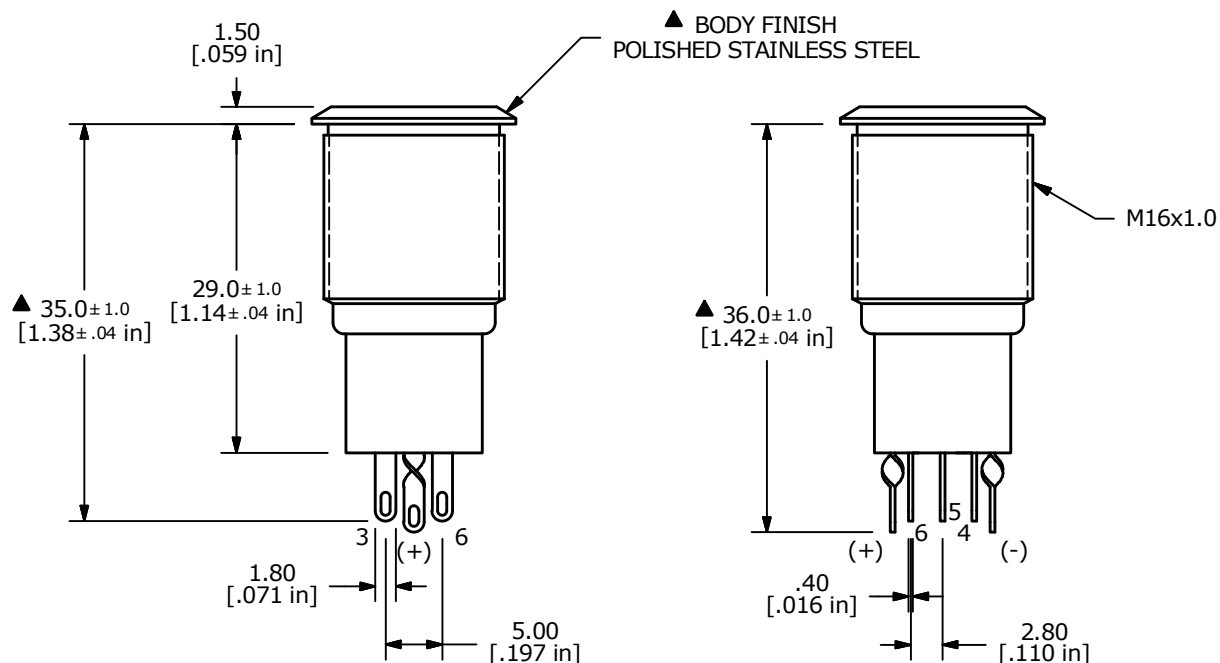
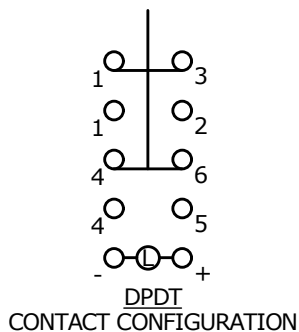
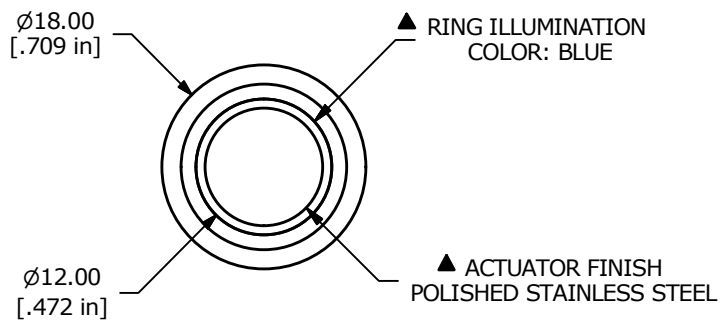


PANEL CUTOUT
MAX. PANEL THICKNESS
14.0mm [.551]

| SWITCH FUNCTION | |
|-----------------|----------|
| POS. 1 | POS. 2 |
| | |
| ON | (ON) |
| 1-3, 4-6 | 1-2, 4-5 |

(ON) = MOMENTARY



- NOTE:
- ALL DIMENSIONS IN MM [INCH]
 - GENERAL TOLERANCE: X.X=±0.4
X.XX=±0.25
 - TERMINAL NUMBERS FOR REF ONLY
 - CONTACT MATERIAL: SILVER
 - RATING: 2A 48VDC
 - ELECTRIC LIFE: 50,000 MAKE-AND-BREAK CYCLES AT FULL LOAD.
 - INSULATION RESISTANCE: 1,000 MΩ MIN.
 - DIELECTRIC STRENGTH: 2,000 VAC MIN. FOR 1 MINUTE
 - CONTACT RESISTANCE: 50mΩ MAX. @ 1A 12VDC
 - OPERATING TEMP.: -20°C to 55°C
 - ▲ DENOTES CRITICAL PARAMETER.
 - LAMP VOLTAGE: 20mA, 24V
 - ▲13. ILLUMINATION COLOR: BLUE
 - HARDWARE SUPPLIED: O-RING AND HEXNUT
 - ▲15. INGRESS RATING: IP65
 - 2011/65/EU (ROHS) COMPLIANT



| REV | PCR NO | DESCRIPTION | DATE | BY |
|-----|--------|----------------------------|---------|-----|
| D | 23365 | UPDATED RATING TO 2A 48VDC | 5/14/18 | MJR |
| C | 22888 | UPDATED RATING TO 1A 24VDC | 6/27/17 | MJR |

| | | | | |
|----------------------|---------------|--------|----------------------|-------|
| TITLE PV3WF2H0SS-345 | | | | |
| SCALE 3:2 | DATE 3/7/2012 | DR BMA | DWG 52-PV3WF2H0SS345 | REV D |

THE INFORMATION CONTAINED IN THIS DOCUMENT IS PROPRIETARY TO E-SWITCH AND IS NOT TO BE COPIED OR TRANSFERRED