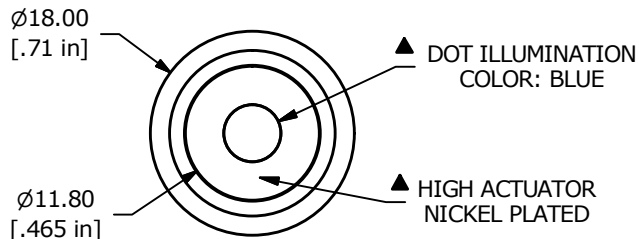
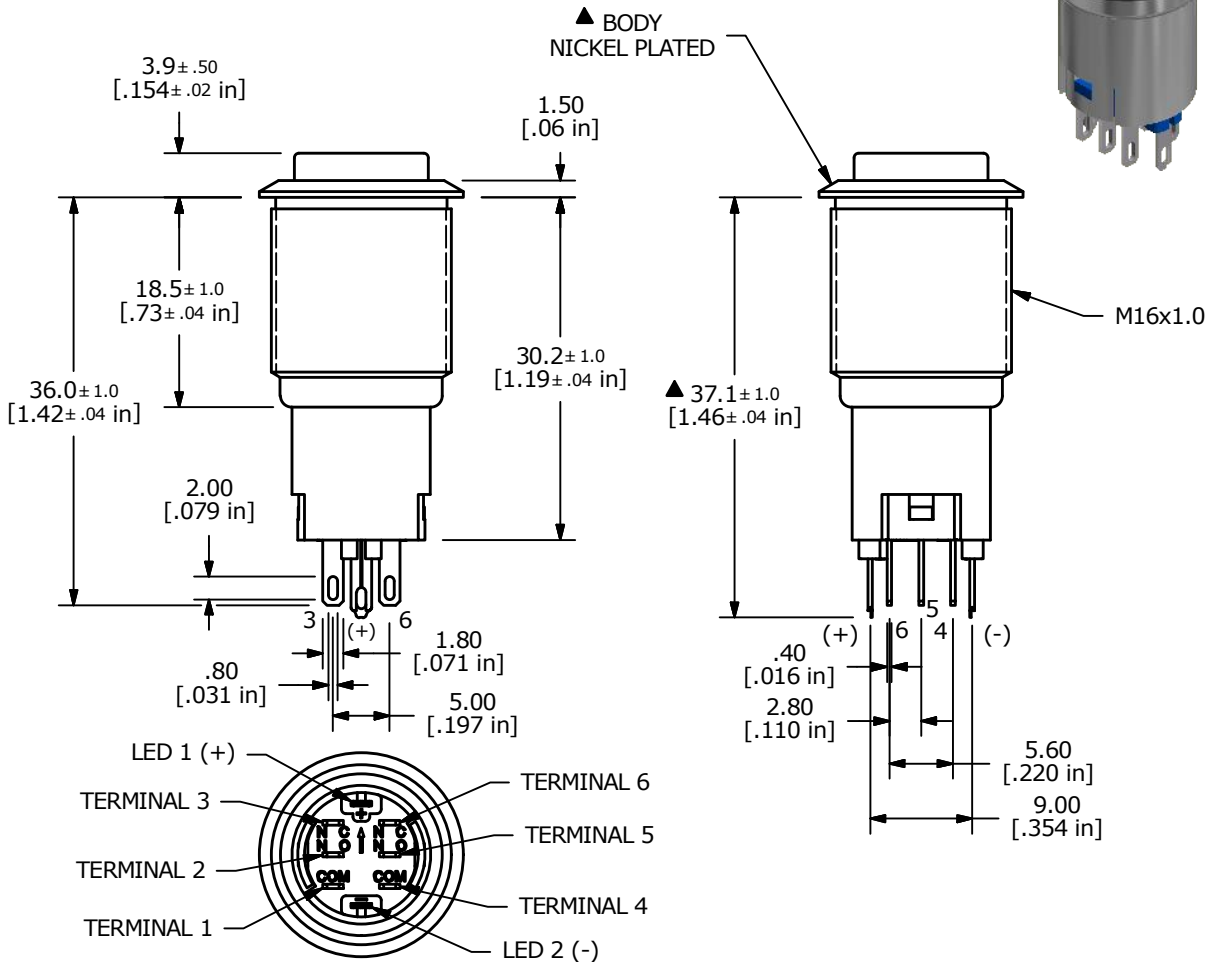
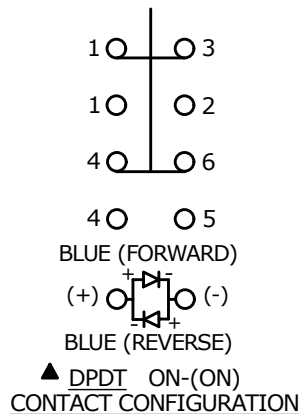


PANEL CUTOUT  
MAX. PANEL THICKNESS  
14.0mm [.55]



SWITCH FUNCTION	
POS. 1	POS. 2
ON	(ON)
1-3; 4-6	1-2; 4-5

(ON) = MOMENTARY



- NOTE:
- ALL DIMENSIONS IN MM [INCH]
  - GENERAL TOLERANCE: X.X = ±0.4  
X.XX = ±0.25
  - TERMINAL NUMBERS FOR REF ONLY
  - CONTACT MATERIAL: SILVER
  - RATING: 2A 48VDC
  - ELECTRIC LIFE: 50,000 MAKE-AND-BREAK CYCLES AT FULL LOAD.
  - INSULATION RESISTANCE: 1,000 MΩ MIN.
  - DIELECTRIC STRENGTH: 2,000 VAC MIN. FOR 1 MINUTE
  - CONTACT RESISTANCE: 50mΩ MAX. @ 1A 12VDC
  - OPERATING TEMP.: -20°C to 55°C
  - ▲ DENOTES CRITICAL PARAMETER.
  - HARDWARE SUPPLIED: O-RING AND HEXNUT
  - INGRESS RATING: IP40
  - 2011/65/EU (ROHS) COMPLIANT
  - LAMP VOLTAGE: 12V



REV	PCR NO	DESCRIPTION	DATE	BY
F	23363	UPDATED RATING TO 2A 48VDC	5/11/18	MJR
E	22886	UPDATED RATING TO 1A 24VDC	6/19/17	MJR

TITLE PV3H2H0NN-244				
SCALE 3:2	DATE 1/30/2012	DR MW	DWG 52-PV3H2H0NN244	REV F

THE INFORMATION CONTAINED IN THIS DOCUMENT IS PROPRIETARY TO E-SWITCH AND IS NOT TO BE COPIED OR TRANSFERRED