



### Features

- Input Voltage: 36 V to 75 V
- Dual Output (15 V / 15 V)  
*(Independently Regulated!)*
- Separate Output Returns  
*(Accommodates ±15 V or +30 V)*
- Internal Power-Up Sequencing
- Flexible On/Off Control
- Output Current Limit
- Fixed Frequency Operation
- Over-Temperature Shutdown
- Under-Voltage Lockout
- 1500 VDC Isolation
- Space-Saving Solderable Case  
1.2 sq. in. PCB Area (suffix N)
- Surface Mount Option
- Safety Approvals (Pending):  
UL 60950, cUL 60950

### Description

The PT4711 Excalibur™ power module is a 45-watt rated DC/DC converter that produces two regulated output supply voltages from a standard (–48 V) telecom central office supply.

Both of the outputs from this module are truly independent. Each is separately regulated and has its own negative return. This allows the flexibility of configuring the output for up to three voltage options. This includes a complimentary dual ±15-V, or a single +30-V or –30-V output.

The PT4711 incorporates many features to simplify system integration. These include a flexible On/Off enable control, input under-voltage lock-out, and over-temperature protection. All outputs are short-circuit protected, and internally sequenced for simultaneous power-up and power-down.

The module is packaged in a space-saving solderable copper case, requires no heat sink, and can occupy as little as 1.2 in<sup>2</sup> of PCB area.

### Ordering Information

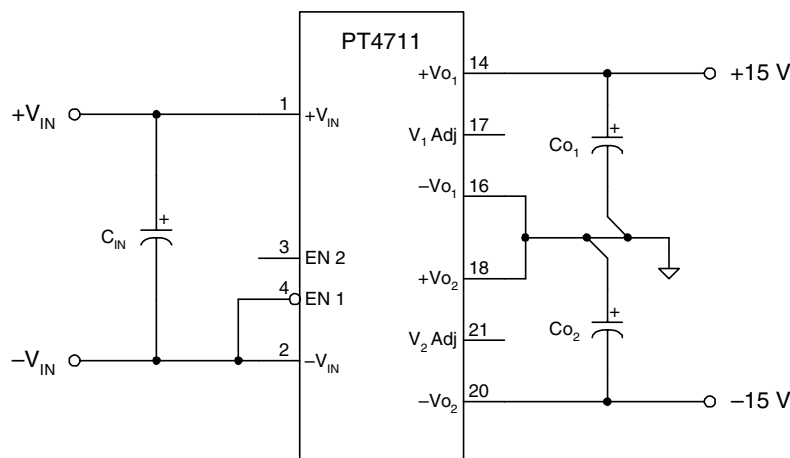
PT4711□ = 15 V / 15 V

### PT Series Suffix (PT1234 x)

Case/Pin Configuration	Order Suffix	Package Code
Vertical	N	(ENM)
Horizontal	A	(ENN)
SMD	C	(ENP)

*(Reference the applicable package code drawing for the dimensions and PC layout)*

### Typical Application



$C_{O1}, C_{O2}$ : Recommended 150  $\mu$ F  
 $C_{IN}$ : Optional 47  $\mu$ F electrolytic  
 EN1 & EN2 pins: See On/Off Enable Logic

## Pin Configuration

Pin Function	Pin Function	Pin Function
1 +V <sub>in</sub>	8 Pin Not Present	15 Not Connected
2 -V <sub>in</sub>	9 Pin Not Present	16 -V <sub>O1</sub>
3 EN 2	10 Pin Not Present	17 V <sub>O1</sub> Adjust
4 EN 1	11 Pin Not Present	18 +V <sub>O2</sub>
5 Do Not Connect	12 Pin Not Present	19 Not Connected
6 Do Not Connect	13 Pin Not Present	20 -V <sub>O2</sub>
7 Do Not Connect	14 +V <sub>O1</sub>	21 V <sub>O2</sub> Adjust

Note: Shaded functions indicates those pins that are at primary-side potential. All other pins are referenced to the secondary.

## On/Off Enable Logic

Pin 3	Pin 4	Output Status
×	1	Off
1	0	On
0	×	Off

### Notes:

Logic 1 = Open collector

Logic 0 = -V<sub>in</sub> (pin 2) potential

For positive Enable function, connect pin 4 to pin 2 and use pin 3.

For negative Enable function, leave pin 3 open and use pin 4.

## Pin Descriptions

**+V<sub>in</sub>:** The positive input supply for the module with respect to -V<sub>in</sub>. When powering the module from a -48-V telecom central office supply, this input is connected to the primary system ground.

**-V<sub>in</sub>:** The negative input supply for the module, and the 0-VDC reference for the EN 1, and EN 2 inputs. When powering the module from a +48-V supply, this input is connected to the input source return.

**EN 1:** The negative logic input that activates the module output. This pin must be connected to -V<sub>in</sub> to enable the module's outputs. A high impedance disables the module's outputs.

**EN 2:** The positive logic input that activates the module output. If not used, this pin should be left open circuit. Connecting this input to -V<sub>in</sub> disables the module's outputs.

**+V<sub>O1</sub> 1:** This is the positive DC output voltage with respect to -V<sub>O1</sub>. The output voltage produced across ±V<sub>O1</sub> is electrically isolated from ±V<sub>in</sub> and independently regulated from that produced at ±V<sub>O2</sub>. If the +V<sub>O1</sub> node is connected to the secondary ground, a negative output voltage will be produced at -V<sub>O1</sub>.

**-V<sub>O1</sub> 1:** The negative output supply voltage with respect to +V<sub>O1</sub>. If this node is connected to the secondary ground, a positive voltage is produced at +V<sub>O1</sub>.

**+V<sub>O2</sub> 2:** This is the positive DC output voltage with respect to -V<sub>O2</sub>. The output voltage produced across ±V<sub>O2</sub> is electrically isolated from ±V<sub>in</sub> and independently regulated from that produced at ±V<sub>O1</sub>. If +V<sub>O2</sub> node is connected to the secondary ground, a negative output voltage will be produced at -V<sub>O2</sub>.

**-V<sub>O2</sub> 2:** The negative output supply voltage with respect to +V<sub>O2</sub>. If this node is connected to the secondary ground, a positive voltage is produced at +V<sub>O2</sub>.

**±V<sub>O1</sub> Adjust:** Using a single resistor, this pin allows the output voltage produced at ±V<sub>O1</sub> to be adjusted higher or lower by up to 10%. If not used this pin should be left open circuit.

**±V<sub>O2</sub> Adjust:** Using a single resistor, this pin allows the output voltage produced at ±V<sub>O2</sub> to be adjusted higher or lower by up to 10%. If not used this pin should be left open circuit.

**PT4711 Electrical Specifications** (Unless otherwise stated, the operating conditions are:  $T_a = 25^\circ\text{C}$ ,  $V_{in} = 48\text{ V}$ , and  $I_o = I_{o,max}$ )

Characteristics	Symbols	Conditions	PT4711			Units	
			Min	Typ	Max		
Output Current	$I_{o1}, I_{o2}$	Both outputs	0	—	1.5	A	
Input Voltage Range	$V_{in}$	Continuous Surge (1 minute)	36 —	— —	75 80	V	
Set-Point Voltage	$V_{o1}, V_{o2}$		14.55	15.0	15.45	V	
Temperature Variation	$\Delta\text{Reg}_{temp}$	$-40^\circ\text{C} \leq T_a \leq 85^\circ\text{C}$ , $I_o = I_{o,min}$	$V_{o1}, V_{o2}$	—	$\pm 0.5$	$\%V_o$	
Line Regulation	$\Delta\text{Reg}_{line}$	All outputs, Over $V_{in}$ range	—	$\pm 0.05$	$\pm 0.25$	$\%V_o$	
Load Regulation	$\Delta\text{Reg}_{load}$	All outputs, $0 \leq I_o \leq I_{o,max}$	—	$\pm 0.2$	$\pm 0.5$	$\%V_o$	
Cross Regulation	$\Delta\text{Reg}_{cross}$	$I_{o1} = I_{o1,max}$ , $0 \leq I_{o2} \leq I_{o2,max}$ $I_{o2} = I_{o2,max}$ , $0 \leq I_{o1} \leq I_{o1,max}$	—	$\pm 10$	—	mV	
Total Output Voltage Variation	$\Delta V_o, tot$	Includes set-point, line, load, $-40^\circ\text{C} \leq T_a \leq 85^\circ\text{C}$	$V_{o1}, V_{o2}$	14.25	—	15.75	V
Efficiency	$\eta$		—	86	—	%	
$V_o$ Ripple (pk-pk)	$V_n$	Measured from each output to COM, 0 to 20 MHz bandwidth	$V_{o1}, V_{o2}$	—	15	—	mV <sub>pp</sub>
Transient Response	$t_{tr}$ $V_{os}$	0.1 A/ $\mu\text{s}$ load step, 50% to 75% $I_{o,max}$ $V_o$ over/undershoot	— —	100 2	— —	$\mu\text{Sec}$ $\%V_o$	
Output Adjust Range	$V_{ox, adj}$	Each $V_o$ adjusted independently	—	$\pm 10$	—	$\%V_o$	
Current Limit Threshold	$I_{oLIM}$	Shutdown, auto restart	$V_{o1}, V_{o2}$	—	2.5	—	A
Switching Frequency	$f_s$	Over $V_{in}$ and $I_o$ ranges	550	600	650	kHz	
Under Voltage Lockout	$V_{on}$ $V_{off}$	$V_{in}$ increasing $V_{in}$ decreasing	— —	34 32	— —	V	
Enable Control (pins 3 & 4) High-Level Input Voltage Low-Level Input Voltage Low-Level Input Current	$V_{IH}$ $V_{IL}$ $I_{IL}$	Referenced to $-V_{in}$ (pin 2) Pin connected to $-V_{in}$ (pin 2)	4 -0.2 —	— — -0.16	Open (1) 0.8 (1) —	V V mA	
Standby Input Current	$I_{in, standby}$	pins 3 & 4 open circuit	—	5	20	mA	
Internal Input Capacitance	$C_{int}$		—	1	—	$\mu\text{F}$	
External Output Capacitance	$C_o$	Each output to COM	$V_{o1}, V_{o2}$	0	—	500	$\mu\text{F}$
Primary/Secondary Isolation	$V_{iso}$ $C_{iso}$ $R_{iso}$		1500 — 10	— 2,200 —	— — —	V pF M $\Omega$	
Secondary Working Voltage	$\Delta V_{sec}$	Between any two output pins	—	—	35 (2)	V	
Operating Temperature Range	$T_a$	Over $V_{in}$ Range	-40	—	85 (3)	$^\circ\text{C}$	
Solder Reflow Temperature	$T_{reflow}$	Surface temperature of module pins or case	—	—	215 (4)	$^\circ\text{C}$	
Storage Temperature	$T_s$	—	-40	—	125	$^\circ\text{C}$	
Mechanical Shock		Per Mil-STD-883D, Method 2002.3 1 msec, 1/2 Sine, mounted	—	500	—	G's	
Mechanical Vibration		Mil-STD-883D, Method 2007.2 20-2000 Hz	Suffix A Suffix N, C	— —	15 (5) 20 (5)	— —	G's
Weight	—	Vertical/Horizontal	—	50	—	grams	
Shutdown Temperature	OTP		—	115	125	$^\circ\text{C}$	
Flammability	—	Meets UL 94V-O	—	—	—	—	

**Notes:** (1) The Enable inputs (pins 3 & 4) have internal pull-ups. Leaving pin 3 open-circuit and connecting pin 4 to  $-V_{in}$  allows the converter to operate when input power is applied. The maximum open-circuit voltage is 5 V.

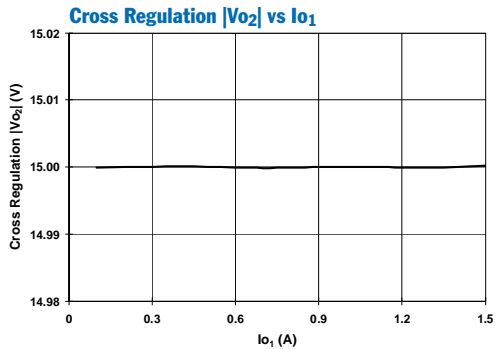
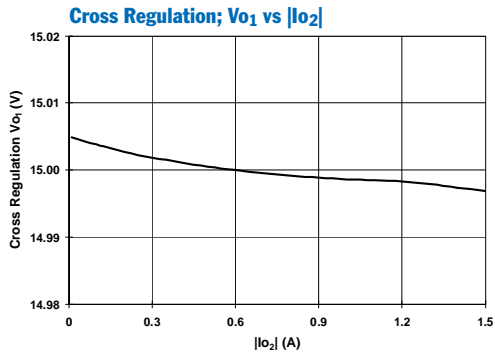
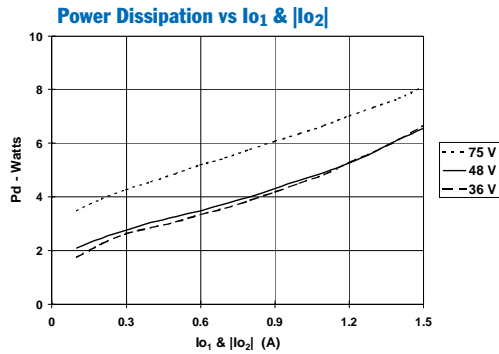
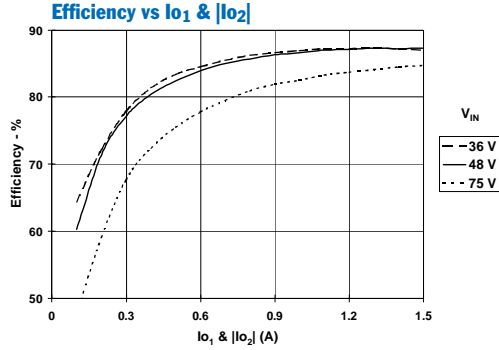
(2) The maximum voltage that may exist between any two output pins.

(3) See SOA curves or consult factory for appropriate derating.

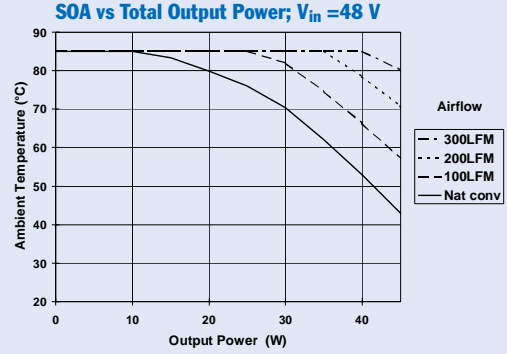
(4) During solder reflow of SMD package version, do not elevate the module case, pins, or internal component temperatures above a peak of  $215^\circ\text{C}$ . For further guidance refer to the application note, "Reflow Soldering Requirements for Plug-in Power Surface Mount Products," (SLTA051).

(5) Only the case pins on through-hole pin configurations (N & A) must be soldered. For more information see the applicable package outline drawing.

**Performance Characteristics;  $V_{in} = 48\text{ V}$**  (See Note A)  
(Refer to typical application for output configuration)



**PT4711 Safe Operating Area (SOA)** (See Note B)  
(All outputs proportionally loaded from 0 to 100 % of full load)



**Note A:** All Characteristic data in the above graphs has been developed from actual products tested at 25°C. This data is considered typical data for the ISR.  
**Note B:** SOA curves represent operating conditions at which the internal components are at or below the manufacturer's maximum rated operating temperatures.

## Operating Features of the PT4711 Dual-Output DC/DC Converter

### Over-Current Protection

Each of the two outputs from the PT4711 DC/DC converter incorporates protection against an output load fault. When a fault impedance is applied to one output, the module initially limits the output current of that output to approximately 150% of the maximum current rating. If the fault persists for more than 20 ms the converter shuts down, forcing the voltage at both regulated outputs to simultaneously fall to zero. Following shutdown the converter periodically attempts to recover by executing a soft-start power-up. The converter will continue in a cycle of successive shutdowns and restarts until the load fault is removed.

### Over-Temperature Protection

The PT4711 DC/DC converter has an internal temperature sensor, which monitors the temperature of the module's internal components. If the sensed temperature exceeds a nominal 115°C, the converter will shut down. The converter will automatically restart when the sensed temperature returns to about 100°C.

### Under-Voltage Lock-Out

The Under-Voltage Lock-Out (UVLO) circuit prevents operation of the converter whenever the input voltage to the module is insufficient to maintain output regulation. The UVLO has approximately 2 V of hysteresis. This is to prevent oscillation with a slowly changing input voltage. Below the UVLO threshold the module is off and the enable control inputs, EN1 and EN2 are inoperative.

### Primary-Secondary Isolation

The PT4711 DC/DC converter incorporates electrical isolation between the input terminals (primary) and the output terminals (secondary). All converters are production tested to a withstand voltage of 1500 VDC. The isolation complies with UL/cUL 60950 and EN60950, and the requirements for operational isolation. This allows the converter to be configured for either a positive or negative input voltage source.

The regulation control circuitry for these modules is located on the secondary (output) side of the isolation barrier. Control signals are passed between the primary and secondary sides of the converter. The data sheet 'Pin Descriptions' and 'Pin-Out Information' provides guidance as to which reference (primary or secondary) that must be used for each of the external control pin.

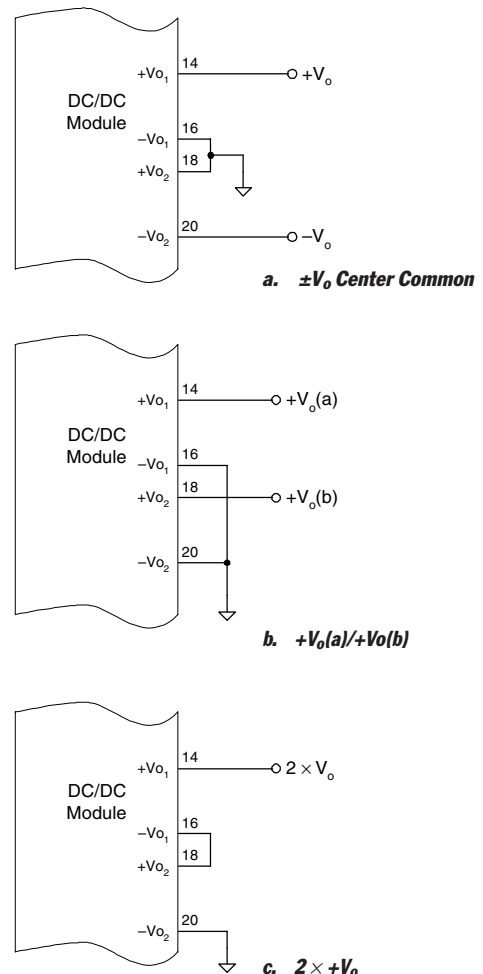
### Input Current Limiting

The converter is not internally fused. For safety and overall system protection, the maximum input current to the converter must be limited. Active or passive current limiting can be used. Passive current limiting can be a fast acting fuse. A 125-V fuse, rated no more than 5 A, is recommended. Active current limiting can be implemented with a current limited "Hot-Swap" controller.

### Output Voltage Configurations

Both outputs from the PT4711 DC/DC converter are independently regulated and isolated from each other. This allows flexibility to how the output voltages may be configured (up to the maximum allowed working voltage between the two outputs; see specification table). Figure 1-1 shows the most common ways that the outputs of the converter may be configured. They include  $\pm V_o$  (Fig. 1-1a),  $V_o(a)/V_o(b)$  (Fig. 1-1b), and  $2 \times V_o$  (Fig. 1-1c).

Figure 1-1; PT4711 Output Voltage Configurations



## Using the On/Off Enable Controls on the PT4711 Dual-Output DC/DC Converter

The PT4711 is a dual-output DC/DC converter incorporates two output enable controls. EN1 (pin 4) is the *Negative Enable* input, and EN2 (pin 3) is the *Positive Enable* input. Both inputs are electrically referenced to  $-V_{in}$  (pin 2) on the primary or input side of the converter. A pull-up resistor is not required, but may be added if desired. Voltages of up to 70 V can be safely applied to the either of the *Enable* pins.

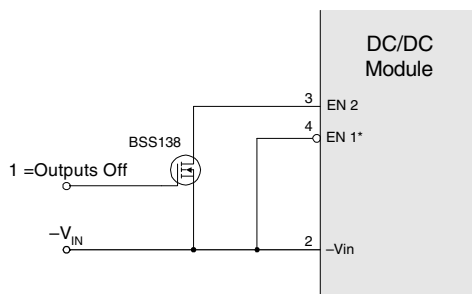
### Automatic (UVLO) Power-Up

Connecting EN1 (pin 4) to  $-V_{in}$  (pin 2) and leaving EN2 (pin 3) open-circuit configures the converter for automatic power up. (See data sheet “Typical Application”). The converter control circuitry incorporates an “Under Voltage Lockout” (UVLO) function, which disables the converter until the minimum specified input voltage is present at  $\pm V_{in}$ . (See data sheet Specifications). The UVLO circuitry ensures a clean transition during power-up and power-down, allowing the converter to tolerate a slow-rising input voltage. For most applications EN1 and EN2, can be configured for automatic power-up.

### Positive Output Enable (Negative Inhibit)

To configure the converter for a positive enable function, connect EN1 (pin 4) to  $-V_{in}$  (pin 2), and apply the system On/Off control signal to EN2 (pin 3). In this configuration, a low-level input voltage ( $-V_{in}$  potential) applied to pin 3 disables the converter outputs. Figure 1 is an example of this configuration.

Figure 1; Positive Enable Configuration

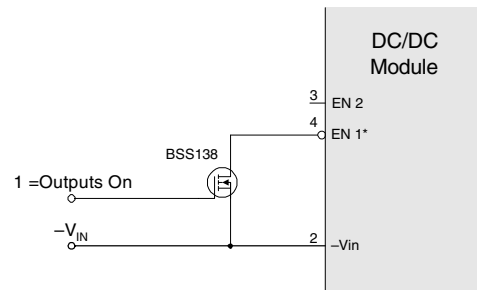


### Negative Output Enable (Positive Inhibit)

To configure the converter for a negative enable function, EN2 (pin 3) is left open circuit, and the system On/Off control signal is applied to EN1 (pin 4). A low-level input voltage ( $-V_{in}$  potential) must then be applied to

pin 4 in order to enable the outputs of the converter. An example of this configuration is detailed in Figure 2. *Note: The converter will only produce an output voltage if a valid input voltage is applied to  $\pm V_{in}$ .*

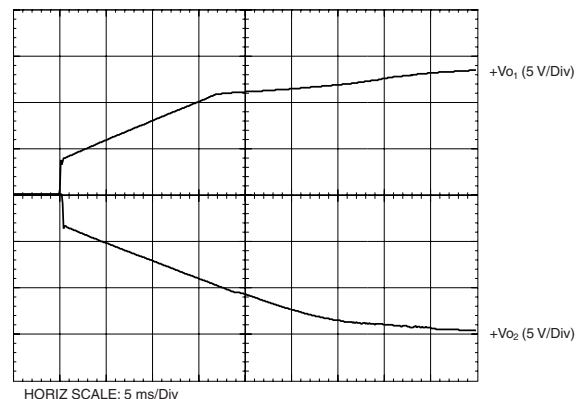
Figure 2; Negative Enable Configuration



### On/Off Output Voltage Sequencing

Both outputs from the PT4711 converter are internally sequenced to power up in unison. Figure 3-3 shows the output waveforms after the module’s output has been enabled. The converter produces a fully regulated output within 75 ms. The waveforms were measured with the output voltages configured per Figure 1-1a (for  $\pm 15$ -V output). A constant current load of 1.5 A was applied to both outputs, with an input source of 48 VDC.

Figure 3-3; PT4711 Power-up Sequence

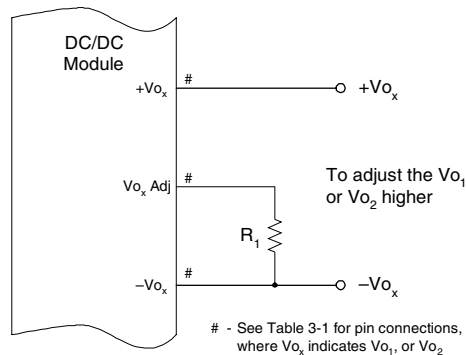


## Adjusting the Output Voltages of the PT4711 Dual-Output DC/DC Converters

The PT4711 dual-output DC/DC converter produces two independently regulated output voltages. The magnitude of each output may be trimmed higher or lower than the nominal set-point by up to 10%. The adjustment method uses a single external resistor.<sup>1</sup> The value of the resistor determines the magnitude of adjustment, and the location of the resistor determines the direction of adjustment (increase or decrease). The resistor values can be calculated using a formula (see below). Alternatively the resistor value may be selected directly from the values given in Table 2-2. The placement of each resistor is as follows.

**Adjust Up:** To increase the magnitude of the output voltage, add a resistor  $R_1$  between the appropriate  $V_{Ox} Adj$  (' $V_{O1} Adj$ ' or ' $V_{O2} Adj$ ') and the respective  $-V_{Ox}$  voltage rail. See Figure 2-1(a) and Table 2-1 for the resistor placement and pin connections.

Figure 2-1a



**Notes:**

1. Use only a single 1% (or better) tolerance resistor in either the  $R_1$  or ( $R_2$ ) location to adjust a specific output. Place the resistor as close to the ISR as possible.
2. Never connect capacitors to any of the ' $V_{Ox} Adj$ ' pins. Any capacitance added to these control pins will affect the stability of the respective regulated output.

**Adjust Down:** To decrease the magnitude of the output voltage, add a resistor ( $R_2$ ), between the appropriate  $V_{Ox} Adj$  ( $V_{O1} Adj$  or  $V_{O2} Adj$ ,) and the respective  $+V_{Ox}$  voltage rail. See Figure 2-1(b) and Table 2-1 for the resistor placement and pin connections.

Figure 2-1b

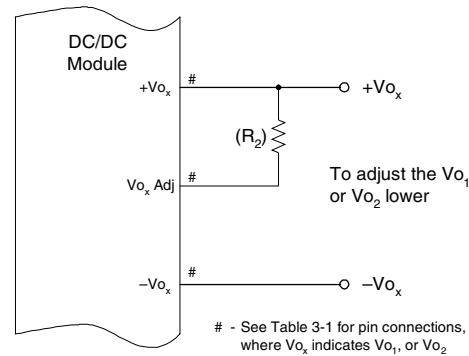


Table 2-1; Adjust Resistor Pin Connections

	To Adjust Up Connect $R_1$		To Adjust Down Connect ( $R_2$ )	
	from $V_{Ox} Adj$	to $-V_{Ox}$	from $V_{Ox} Adj$	to $+V_{Ox}$
$V_{O1}$	17	16	17	14
$V_{O2}$	21	20	21	18

**Calculation of Resistor Adjust Values**

The adjust resistor value may also be calculated using an equation. Note that the equation for  $R_1$  [Adjust Up] is different to that for ( $R_2$ ) [Adjust Down].

$$R_1 \text{ [Adjust Up]} = \frac{35.75}{(V_a - V_o)} - 20 \text{ k}\Omega$$

$$(\mathbf{R_2}) \text{ [Adjust Down]} = \frac{14.3 (V_a - 2.5)}{(V_o - V_a)} - 20 \text{ k}\Omega$$

Where:  $V_o$  = Original output voltage ( $V_{Ox}$ )  
 $V_a$  = Adjusted output voltage ( $V_{ax}$ )

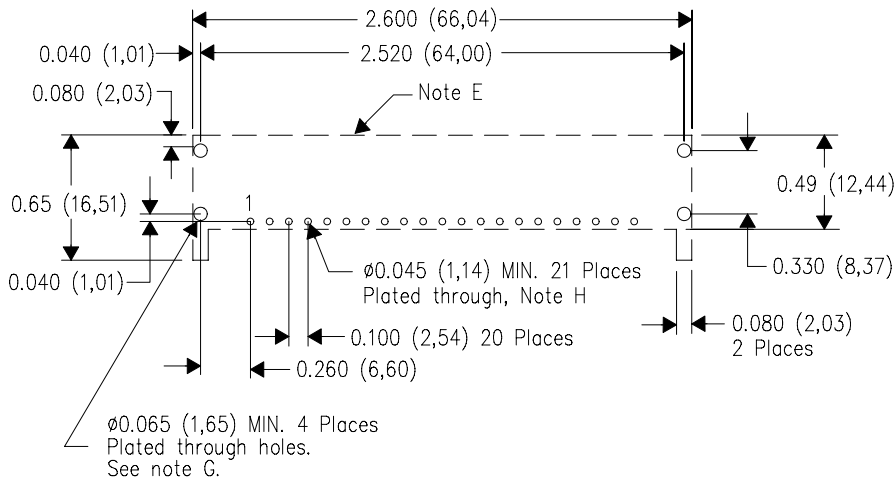
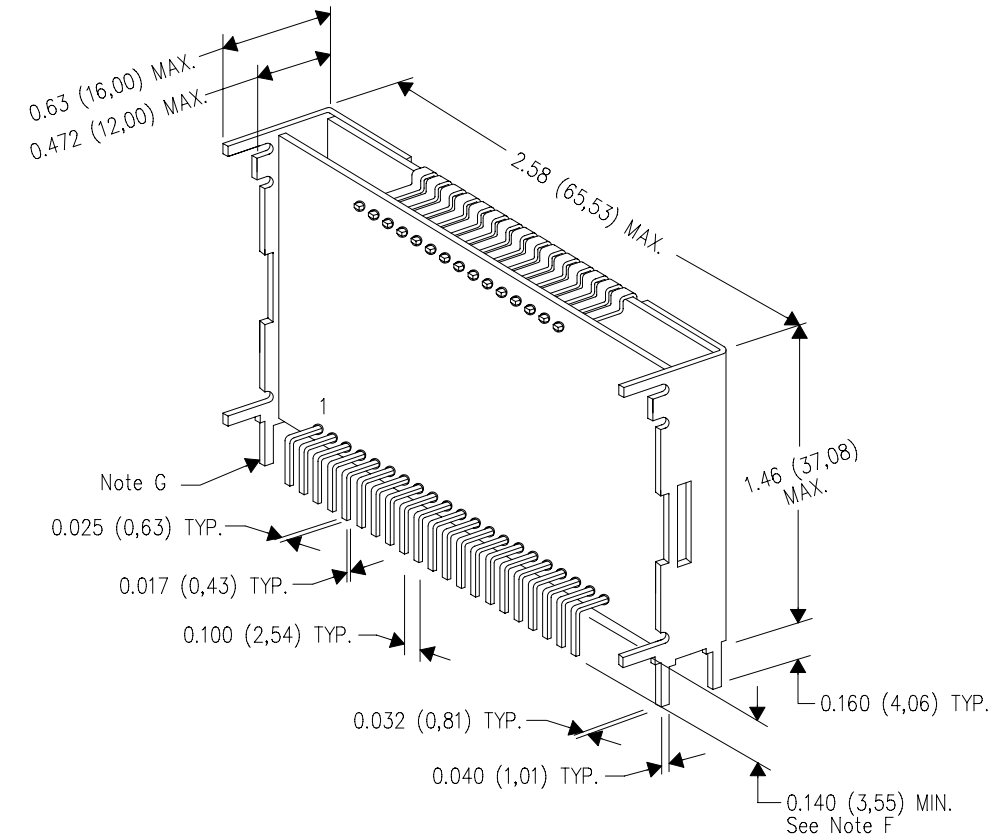
**Table 2-2****ADJUSTMENT RESISTOR VALUES FOR  $V_{o1}$  &  $V_{o2}$** 

Adj. Resistor	$R_1/R_2$	
% Adjust	$V_a$ (req'd)	
-10%	13.50 V	(84.9) k $\Omega$
- 9%	13.65 V	(98.1) k $\Omega$
- 8%	13.80 V	(115) k $\Omega$
- 7%	13.95 V	(136) k $\Omega$
- 6%	14.10 V	(164) k $\Omega$
- 5%	14.25 V	(204) k $\Omega$
- 4%	14.40 V	(264) k $\Omega$
- 3%	14.55 V	(363) k $\Omega$
- 2%	14.70 V	(562) k $\Omega$
- 1%	14.85 V	(1.16) M $\Omega$
0%	15.00 V	
+ 1%	15.15 V	218 k $\Omega$
+ 2%	15.30 V	99.2 k $\Omega$
+ 3%	15.45 V	59.4 k $\Omega$
+ 4%	15.60 V	39.6 k $\Omega$
+ 5%	15.75 V	27.7 k $\Omega$
+ 6%	15.90 V	19.7 k $\Omega$
+ 7%	16.05 V	14.0 k $\Omega$
+ 8%	16.20 V	9.8 k $\Omega$
+ 9%	16.35 V	6.5 k $\Omega$
+10%	16.50 V	3.8 k $\Omega$

$R_1$  = Black,  $R_2$  = (Blue)



Suffix N



PC LAYOUT

4203486/B 02/03

- NOTES:
- A. All linear dimensions are in inches (mm).
  - B. This drawing is subject to change without notice.
  - C. 2 place decimals are  $\pm 0.030$  ( $\pm 0,76$ mm).
  - D. 3 place decimals are  $\pm 0.010$  ( $\pm 0,25$ mm).
  - E. Recommended mechanical keep out area.
  - F. Electrical pin length mounted on printed circuit board, from seating plane to pin end.
  - G. The case is electrically uncommitted. The recommended connection is to secondary ground.
  - H. Some pins may not be present, see product specifications.

SCALE  
1X

A  
SIZE

4203486

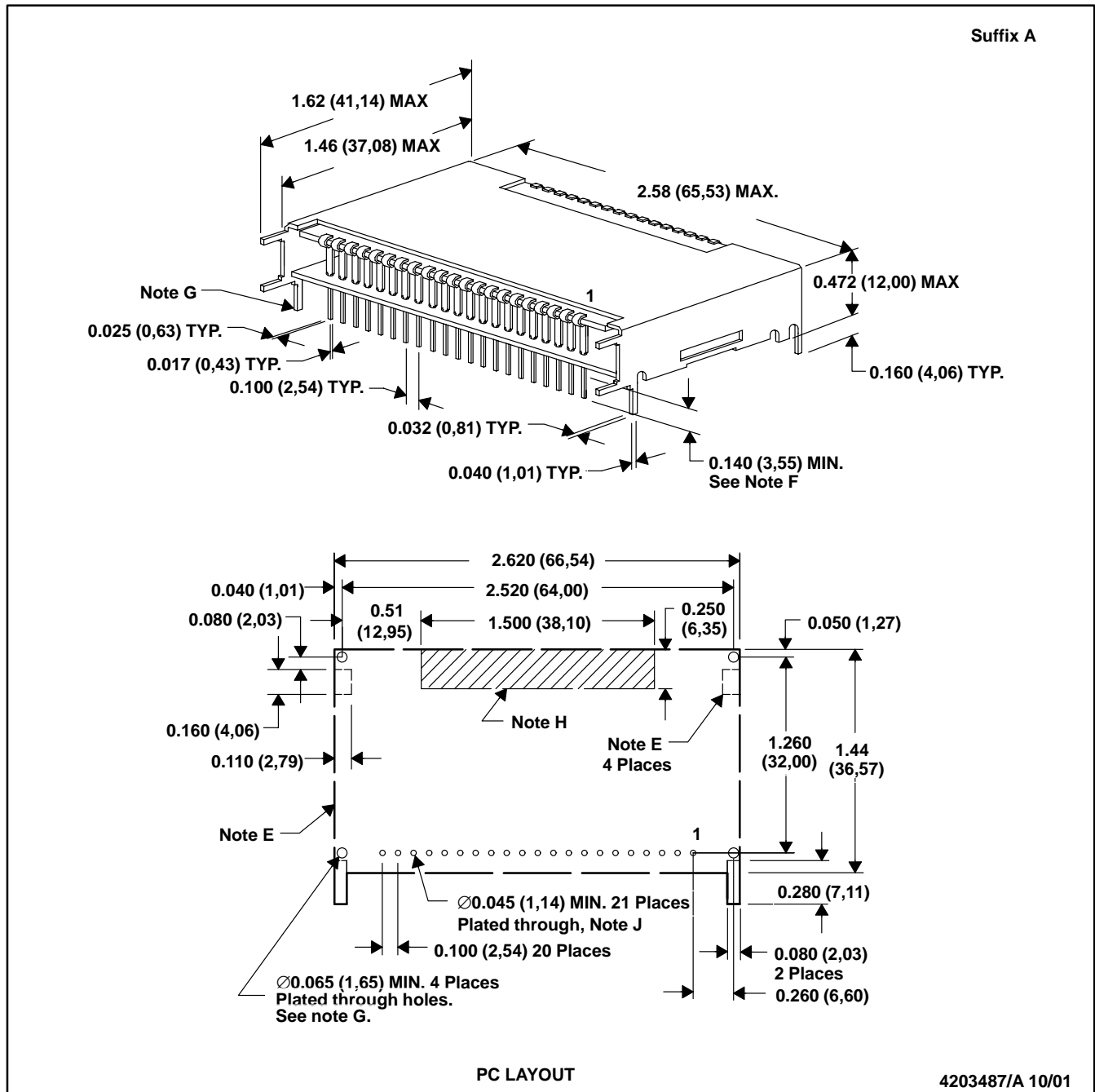
B  
REV

SHEET  
2 / 3

ENN (R-MSIP-T21)

METAL SINGLE-IN-LINE MODULE

Suffix A

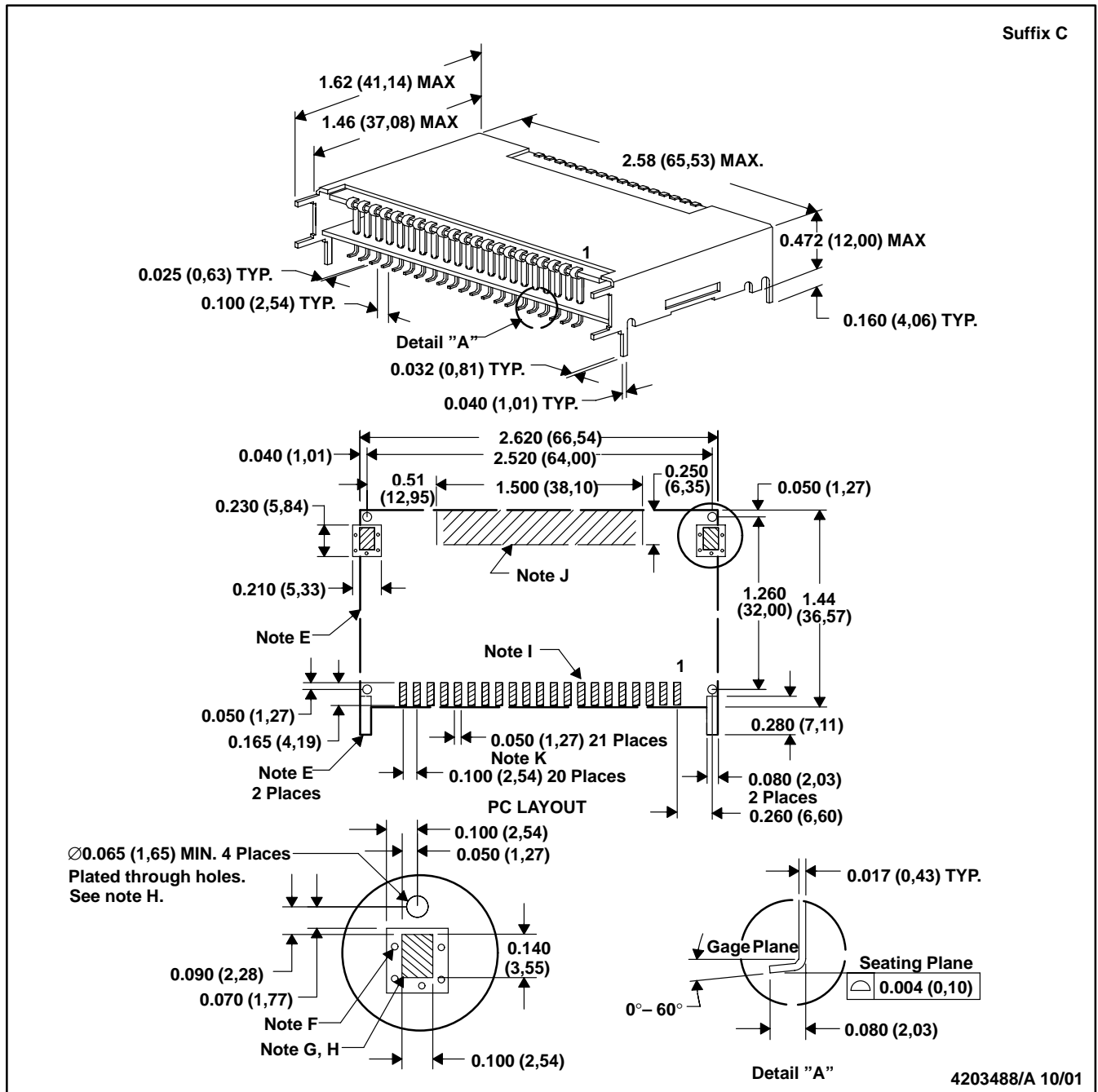


- NOTES:
- A. All linear dimensions are in inches (mm).
  - B. This drawing is subject to change without notice.
  - C. 2 place decimals are  $\pm 0.030$  ( $\pm 0,76$ mm).
  - D. 3 place decimals are  $\pm 0.010$  ( $\pm 0,25$ mm).
  - E. Recommended mechanical keep out area.
  - F. Electrical pin length mounted on printed circuit board, from seating plane to pin end.
  - G. The case is electrically uncommitted. The recommended connection is to secondary ground.
  - H. No copper, power or signal traces in this area.
  - J. Some pins may not be present, see product specifications.

ENP (R-MSIP-G21)

METAL SINGLE-IN-LINE MODULE

Suffix C



- NOTES:
- A. All linear dimensions are in inches (mm).
  - B. This drawing is subject to change without notice.
  - C. 2 place decimals are  $\pm 0.030$  ( $\pm 0,76$ mm).
  - D. 3 place decimals are  $\pm 0.010$  ( $\pm 0,25$ mm).
  - E. Recommended mechanical keep out area.
  - F. Vias are recommended to improve copper adhesion.
  - G. Solder mask openings to copper island for solder joints to mechanical pins.
  - H. The case is electrically uncommitted. The recommended connection is to secondary ground.
  - I. Power pin connections should utilize two or more vias per input, ground and output pin.
  - J. No copper, power or signal traces in this area.
  - K. Some pins may not be present, see product specifications.

## IMPORTANT NOTICE

Texas Instruments Incorporated and its subsidiaries (TI) reserve the right to make corrections, modifications, enhancements, improvements, and other changes to its products and services at any time and to discontinue any product or service without notice. Customers should obtain the latest relevant information before placing orders and should verify that such information is current and complete. All products are sold subject to TI's terms and conditions of sale supplied at the time of order acknowledgment.

TI warrants performance of its hardware products to the specifications applicable at the time of sale in accordance with TI's standard warranty. Testing and other quality control techniques are used to the extent TI deems necessary to support this warranty. Except where mandated by government requirements, testing of all parameters of each product is not necessarily performed.

TI assumes no liability for applications assistance or customer product design. Customers are responsible for their products and applications using TI components. To minimize the risks associated with customer products and applications, customers should provide adequate design and operating safeguards.

TI does not warrant or represent that any license, either express or implied, is granted under any TI patent right, copyright, mask work right, or other TI intellectual property right relating to any combination, machine, or process in which TI products or services are used. Information published by TI regarding third-party products or services does not constitute a license from TI to use such products or services or a warranty or endorsement thereof. Use of such information may require a license from a third party under the patents or other intellectual property of the third party, or a license from TI under the patents or other intellectual property of TI.

Reproduction of information in TI data books or data sheets is permissible only if reproduction is without alteration and is accompanied by all associated warranties, conditions, limitations, and notices. Reproduction of this information with alteration is an unfair and deceptive business practice. TI is not responsible or liable for such altered documentation.

Resale of TI products or services with statements different from or beyond the parameters stated by TI for that product or service voids all express and any implied warranties for the associated TI product or service and is an unfair and deceptive business practice. TI is not responsible or liable for any such statements.

Following are URLs where you can obtain information on other Texas Instruments products and application solutions:

<b>Products</b>		<b>Applications</b>	
Amplifiers	<a href="http://amplifier.ti.com">amplifier.ti.com</a>	Audio	<a href="http://www.ti.com/audio">www.ti.com/audio</a>
Data Converters	<a href="http://dataconverter.ti.com">dataconverter.ti.com</a>	Automotive	<a href="http://www.ti.com/automotive">www.ti.com/automotive</a>
DSP	<a href="http://dsp.ti.com">dsp.ti.com</a>	Broadband	<a href="http://www.ti.com/broadband">www.ti.com/broadband</a>
Interface	<a href="http://interface.ti.com">interface.ti.com</a>	Digital Control	<a href="http://www.ti.com/digitalcontrol">www.ti.com/digitalcontrol</a>
Logic	<a href="http://logic.ti.com">logic.ti.com</a>	Military	<a href="http://www.ti.com/military">www.ti.com/military</a>
Power Mgmt	<a href="http://power.ti.com">power.ti.com</a>	Optical Networking	<a href="http://www.ti.com/opticalnetwork">www.ti.com/opticalnetwork</a>
Microcontrollers	<a href="http://microcontroller.ti.com">microcontroller.ti.com</a>	Security	<a href="http://www.ti.com/security">www.ti.com/security</a>
		Telephony	<a href="http://www.ti.com/telephony">www.ti.com/telephony</a>
		Video & Imaging	<a href="http://www.ti.com/video">www.ti.com/video</a>
		Wireless	<a href="http://www.ti.com/wireless">www.ti.com/wireless</a>

Mailing Address: Texas Instruments  
Post Office Box 655303 Dallas, Texas 75265