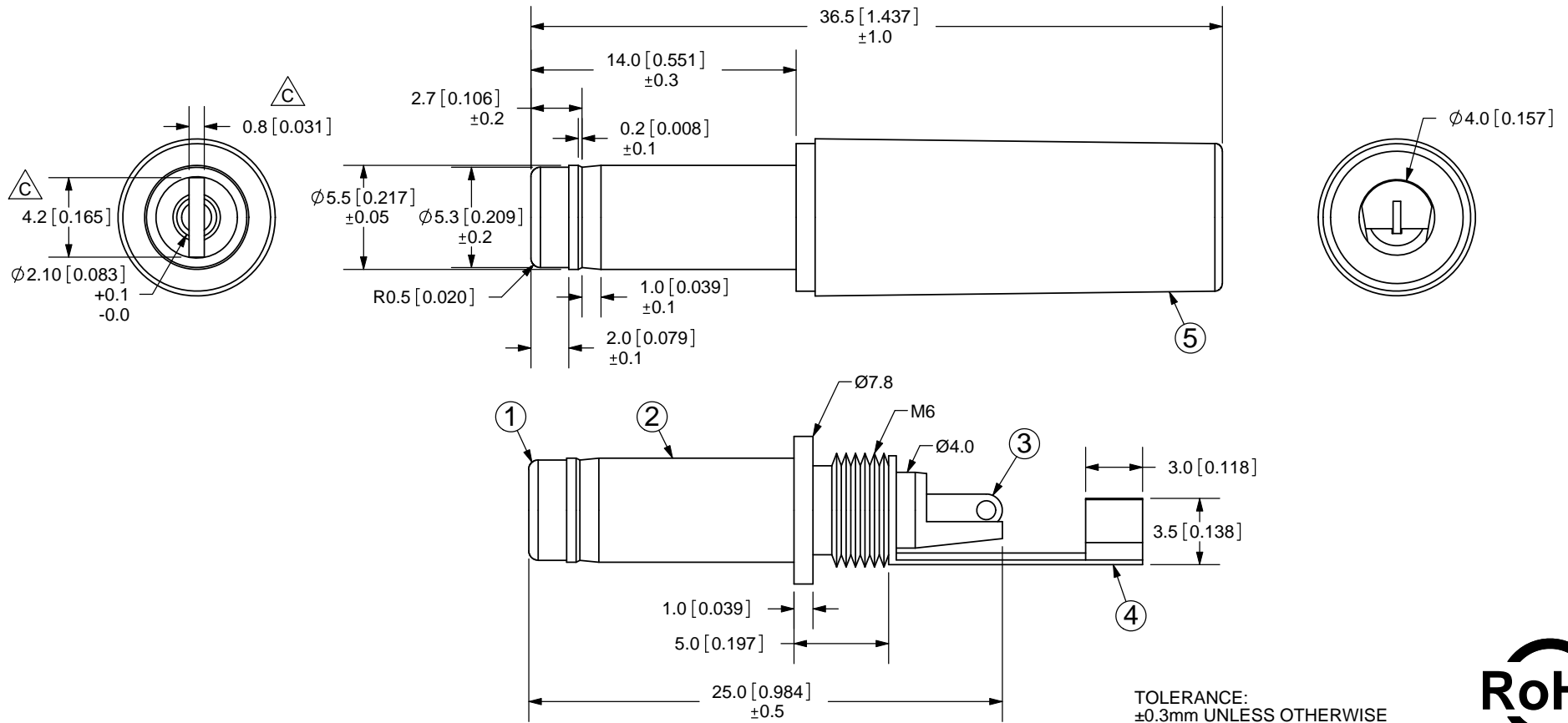
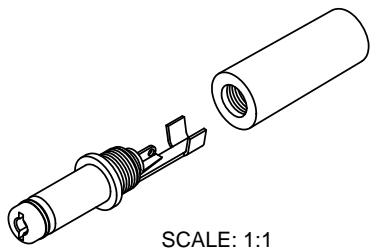


REV.	DESCRIPTION	DATE
A	NEW DRAWING	12/30/2009
B	operating temp added	3/25/2010
C	updated drawing to show tip slot, corrected material table	5/25/2010



TOLERANCE:
±0.3mm UNLESS OTHERWISE
SPECIFIED




SCALE: 1:1

SPECIFICATIONS:

RATING: 16V DC @ 8A
 CONTACT RESISTANCE: 30m OHMS MAX
 INSULATION RESISTANCE: 100M OHMS MIN: 500V DC
 VOLTAGE WITHSTAND: 500V AC R.M.S. FOR 1 MINUTE
 OPERATING TEMP: -25° ~ +70°C
 LIFE: 5,000 CYCLES

	MATERIAL	PLATING
①	TIP INSULATOR	PBT
②	PIN	Brass
③	BARREL	P-Bronze
④	TERMINALS	Brass
⑤	COVER	ABS



20050 SW 112th Ave.
 Tualatin, OR 97062
 Phone: 503-612-2300
 800-275-4899
 Fax: 503-612-2383
 Website: www.cui.com

TITLE: DC POWER JACK		REV: C
PART NO. PP3-002AH		UNITS: MM [INCHES]
DRAWN BY: ZRJ	APPROVED BY:	SCALE: 3:1