



Features

- Formerly **J.W. Miller**® model
- Available in E6 values
- Inductance value to 1000 μ H
- RoHS compliant*

Applications

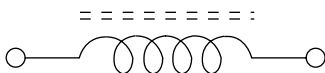
- Input/output of DC/DC converters
- Power supplies for:
 - Portable communication equipment
 - Camcorders
 - LCD TVs

PM7032S Series - Shielded SMD Power Inductor

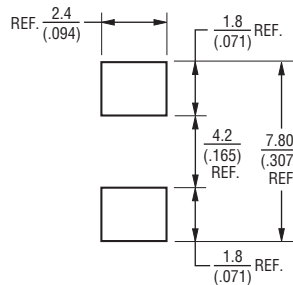
Electrical Specifications

Bourns Part No.	Inductance 100 kHz		Q Typ.	Test Frequency (MHz)	SRF Min. (MHz)	RDC Max. (Ω)	Irms Max. (A)	Isat Typ. (A)
	(μ H)	Tol. %						
PM7032S-2R2M-RC	2.2	± 20	12	7.96	70	0.022	2.65	2.60
PM7032S-3R3M-RC	3.3	± 20	16	7.96	55	0.027	2.40	2.20
PM7032S-4R7M-RC	4.7	± 20	16	7.96	43	0.042	2.00	2.00
PM7032S-6R8M-RC	6.8	± 20	17	7.96	37	0.054	1.60	1.80
PM7032S-100M-RC	10	± 20	25	2.52	35	0.068	1.40	1.60
PM7032S-150M-RC	15	± 20	22	2.52	32	0.095	1.10	1.20
PM7032S-220M-RC	22	± 20	20	2.52	29	0.135	0.96	1.05
PM7032S-330M-RC	33	± 20	23	2.52	20	0.200	0.76	0.86
PM7032S-470M-RC	47	± 20	26	2.52	18	0.280	0.67	0.77
PM7032S-680M-RC	68	± 20	22	2.52	16	0.380	0.60	0.70
PM7032S-101M-RC	100	± 20	28	0.796	12	0.540	0.45	0.50
PM7032S-151M-RC	150	± 20	35	0.796	10	0.800	0.37	0.38
PM7032S-221M-RC	220	± 20	47	0.796	7.5	1.300	0.30	0.32
PM7032S-331M-RC	330	± 20	46	0.796	6.1	1.900	0.22	0.24
PM7032S-471M-RC	470	± 20	34	0.796	5.1	2.400	0.20	0.20
PM7032S-681M-RC	680	± 20	58	0.796	3.8	3.750	0.16	0.15
PM7032S-102M-RC	1000	± 20	120	0.252	3.1	5.400	0.15	0.14

Electrical Schematic



Recommended Layout



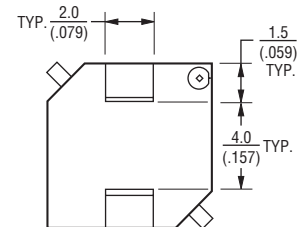
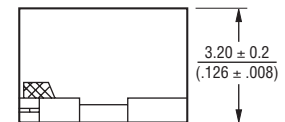
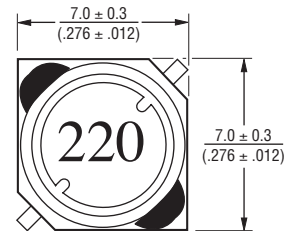
General Specifications

Test Voltage 0.5 V
 Reflow Soldering .. 230 °C, 50 sec. max.
 Operating Temperature
 -40 °C to +125 °C
 (Temperature rise included)
 Storage Temperature .. -40 °C to +125 °C
 Resistance to Soldering Heat
 260 °C for 10 sec.
 Moisture Sensitivity Level 2
 ESD Classification (HBM) N/A

Materials

Core Ferrite DR and RI
 Wire Enameled copper wire 130
 Terminal Cu/Ni/Sn
 Rated Current
 Ind. drop 10 % typ. at Isat
 Temperature Rise 30 °C max.
 at rated Irms
 Packaging 1000 pcs. per reel

Product Dimensions



DIMENSIONS: $\frac{\text{MM}}{\text{(INCHES)}}$

*RoHS Directive 2002/95/EC Jan. 27, 2003 including annex and RoHS Recast 2011/65/EU June 8, 2011.

Specifications are subject to change without notice.

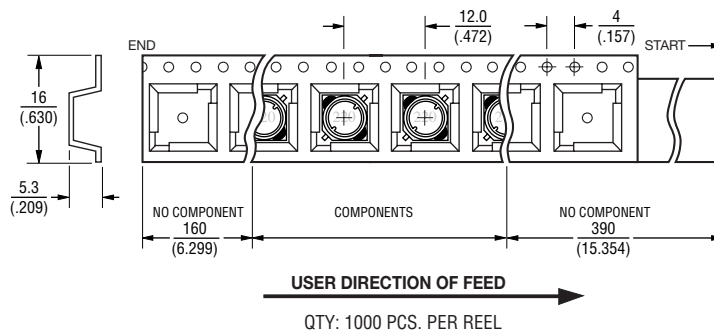
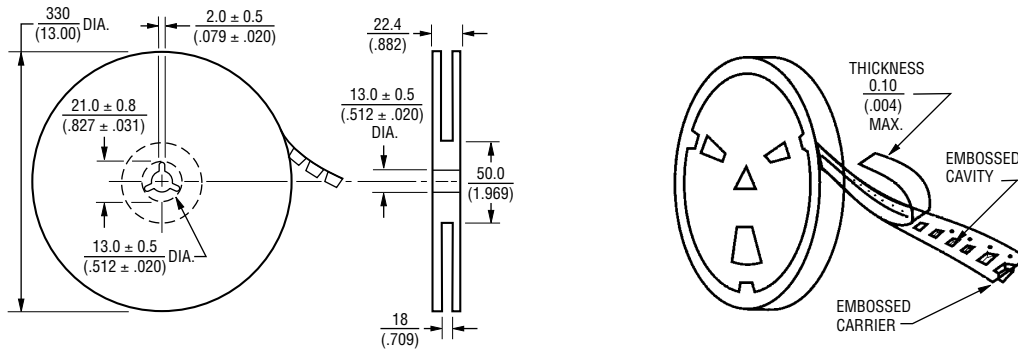
The device characteristics and parameters in this data sheet can and do vary in different applications and actual device performance may vary over time.

Users should verify actual device performance in their specific applications.

PM7032S Series - Shielded SMD Power Inductor

BOURNS®

Packaging Specifications



DIMENSIONS: $\frac{\text{MM}}{\text{(INCHES)}}$

REV. 03/18

Specifications are subject to change without notice.

The device characteristics and parameters in this data sheet can and do vary in different applications and actual device performance may vary over time. Users should verify actual device performance in their specific applications.