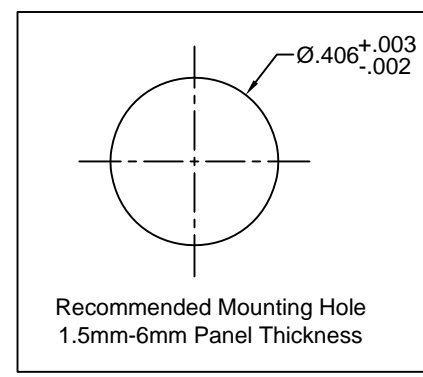
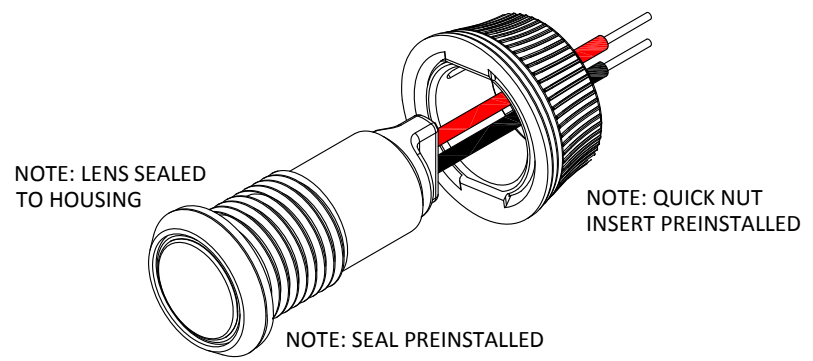
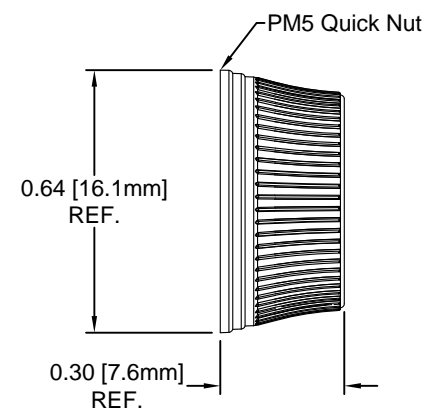
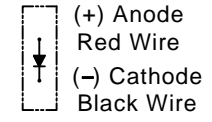
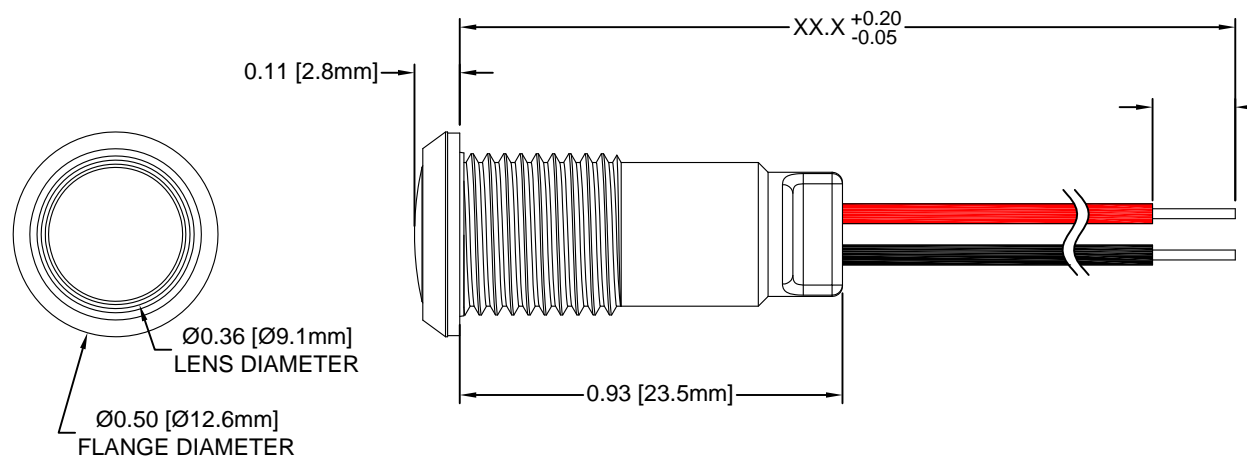


REV.	DESCRIPTION	DATE	APPROVED
A	Engineering Release.	04/29/14	J. C.
B	Updated LED Optical Characteristics.	09/15/15	J. C.



EXAMPLE:
PM5-KNGDW6.5

Series

LED Color

Wire Length in 0.5" Increments

NOTES:

1. ROHS COMPLIANT
2. MOUNTING HARDWARE SHIPPED NON-ASSEMBLED

STANDARD TOLERANCE (UNLESS OTHERWISE SPECIFIED)		BIVAR [®] 4 THOMAS, IRVINE, CA. 92618 TEL: (949) 951-8808 FAX: (949) 951-3974	
DECIMALS	ANGULAR		
.X ± .1	X° ± 1°	TITLE: Quick-Mount Panel Mount Indicator w/ Wire PART NO: PM5-KNXXXWXX.X REVISION: B	
.XX ± .02			
.XXX ± .010			
DESIGNED: Alex Wright	DATE: 03/24/14	CAGE CODE : 32559	
CHECKED: Brian Oliver	DATE: 03/24/14	SHEET # 1 OF 2	
CAD GENERATED DOCUMENT. DO NOT MEASURE DRAWING.			


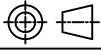
REV.	DESCRIPTION	DATE	APPROVED
	SEE SHEET #1		

Assembly Part Number	LED Part Number	Peak Wave Length λ_p (nm)	Emitted Color	Electro-Optical Data @ 20mA		Viewing Angle
				Typ Vf (VDC)	Assembly Iv (mcd)	
				TYP	TYP	
PM5-KNADWXX.X	5AD	605	AMBER	2.0	9	120
PM5-KNBWDWXX.X	5BWD0.345	430	BLUE	3.2	350	120
PM5-KNGDWXX.X	5SGD	568	GREEN	2.1	11	120
PM5-KNRDWXX.X	5SRD	645	RED	1.7	14	120
PM5-KNYDWXX.X	5SYD	590	YELLOW	2.0	105	120

Assembly Part Number	LED Part Number	Color Temperature	Emitted Color	Electro-Optical Data @ 20mA		Viewing Angle
				Typ Vf (VDC)	Assembly Iv (mcd)	
				TYP	TYP	
PM5-KNWDWXX.X	5UWD0.660N	5000K	NEUTRAL WHITE	3.2	394	120

ABSOLUTE MAXIMUM RATINGS (Ta = 25°C)

MAXIMUM REVERSE VOLTAGE _____ 5V
 MAXIMUM POWER DISSIPATION _____ 150 mW
 OPERATING TEMPERATURE RANGE _____ -30°C ~ 85°C
 STORAGE TEMPERATURE _____ -40°C ~ 85°C

STANDARD TOLERANCE (UNLESS OTHERWISE SPECIFIED) DECIMALS ANGULAR		 4 THOMAS, IRVINE, CA. 92618 TEL: (949) 951-8808 FAX: (949) 951-3974		
				TITLE: Quick-Mount Panel Mount Indicator w/ Wire
DESIGNED: Alex Wright	DATE: 03/24/14	PART NO: PM5-KNXXXWXX.X		REVISION: B
CHECKED: Brian Oliver	DATE: 03/24/14	CAGE CODE : 32559		SHEET # 2 OF 2
CAD GENERATED DOCUMENT. DO NOT MEASURE DRAWING.				