

SUMMARY



Image is for illustrative purpose only

Wires

Low	2
High	0
Coax	0
Triax	0
Quad	0
Fiber	0
Fluidic	0

Series	P
Termination type	Female print 90° PCB
IP rating	50
Cable Ø	0.00 - 0.00 mm
Matching parts	PAG.M0.2GL.AC39A
Status	active
Alternative part	

Download

- [Request a quote](#)
- [PCB Eagle Pattern](#)
- [PCB Altium Pattern](#)
- [Catalog](#)

TECHNICAL DETAILS

Mechanics

Shell Style/Model	PK*: Fixed receptacle with two nuts (back panel mounting), 90° print contacts
Keying	1 key (alpha=0; Plug: male contact; Receptacle: female contact)
Housing Material	PSU (Polysulfone), gray
Cable Fixing	∅ 0 - 0 mm
Variant	A : Blue front nut
Weight	4.90 g

Performance

Configuration	1P.M02 : 2 Low Voltage
Insulator	
Rated Current	10 Amps

Specifications

Contact Type: Print (elbow)
Max. Matings: 2000
Contact Dia.: 1.3 mm (0.0512in)

LEMO products and services are provided "as is". LEMO makes no warranties or representations with regard to LEMO product & services or use of them, express, implied or statutory, including for accuracy, completeness, or security. The user is fully responsible for his products and applications using LEMO components.

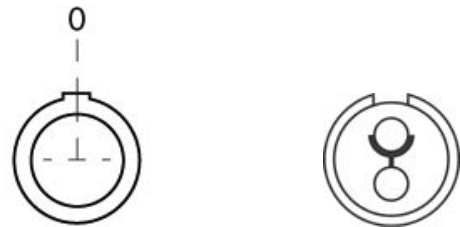
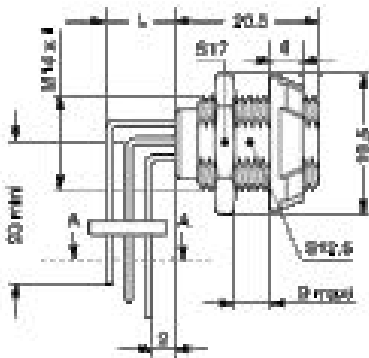
R (max): 3.5 mOhm
Test voltage (kV rms) Contact-contact: 1.2
Air clearance min. (mm) or Creepage distance min. (mm): 1.3

Others

F ret (min): 50 N
F ret (max): 150 N
IP Rating: 50

DRAWINGS

Draws



Dimensions

	A	L	N
mm.	19.5	5.2- 12.9	20.5
in.	0,77	0,20	0,81

RECOMMENDED BY LEMO

Tools

None

Cables

LEMO products and services are provided "as is". LEMO makes no warranties or representations with regard to LEMO product & services or use of them, express, implied or statutory, including for accuracy, completeness, or security. The user is fully responsible for his products and applications using LEMO components.

LEMO products and services are provided "as is". LEMO makes no warranties or representations with regard to LEMO product & services or use of them, express, implied or statutory, including for accuracy, completeness, or security. The user is fully responsible for his products and applications using LEMO components.