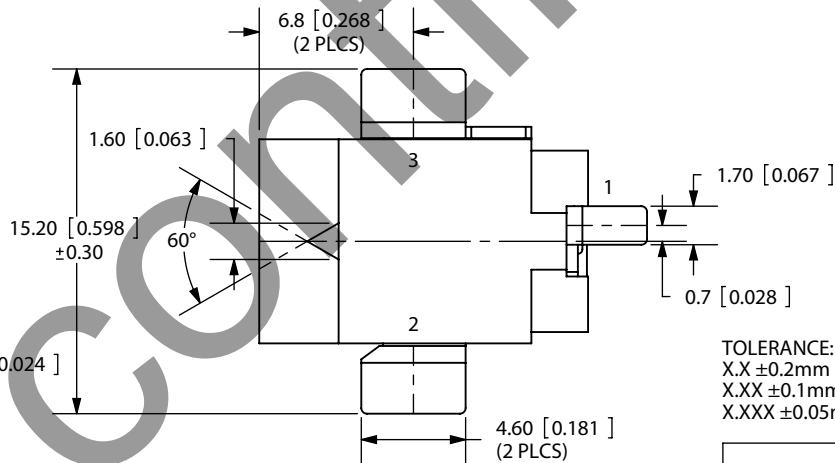
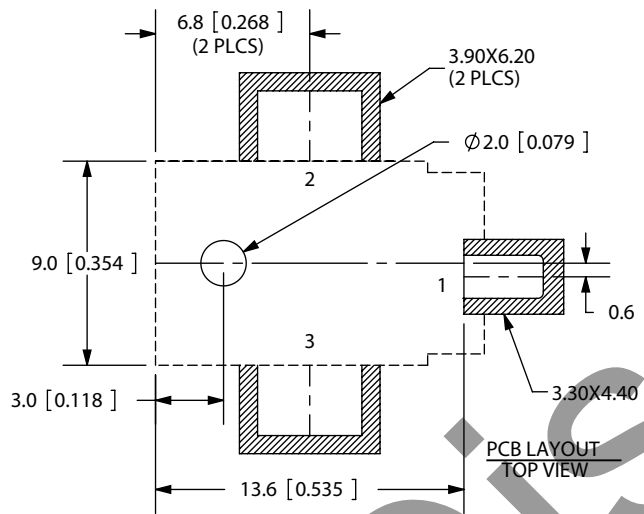
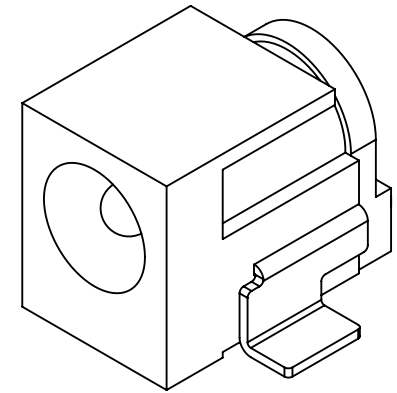
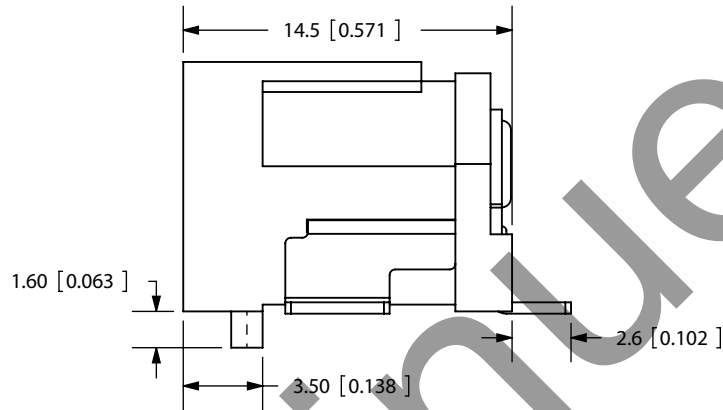
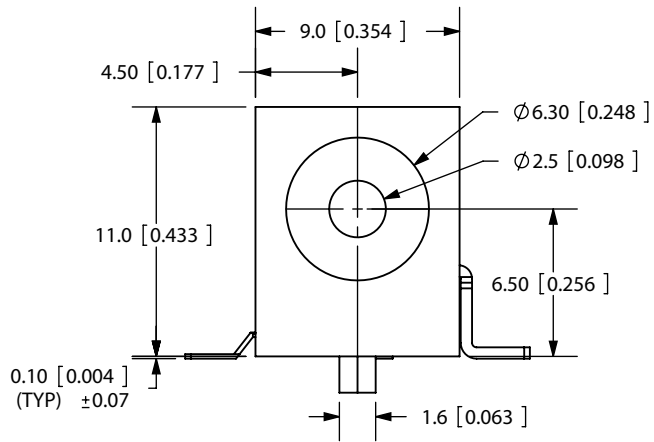


REV.	DESCRIPTION	DATE
A	NEW DRAWING	2/2/2007



TOLERANCE:  
 X.X ±0.2mm  
 X.XX ±0.1mm  
 X.XXX ±0.05mm



**SPECIFICATIONS:**  
 RATING: 16V DC @ 2.5A  
 CONTACT RESISTANCE: 50m OHMS MAX  
 INSULATION RESISTANCE: 100M OHMS MIN: 500V DC  
 VOLTAGE WITHSTAND: 500V AC R.M.S. FOR 1 MINUTE  
 LIFE: 5,000 CYCLES  
 OPERATING TEMP: -25° ~ +85°C

MODEL NO.	PJ-036B-SMT
SCHMATIC	

CENTER PIN DIAMETER 2.5mm Dia.

	MATERIAL	PLATING
TERMINAL 1	Brass	Silver
TERMINAL 2	Copper Alloy	Silver
TERMINAL 3	Brass	Silver
CENTER PIN	Copper	Nickel
BODY	PA6T	

20050 SW 112th Ave.  
 Tualatin, OR 97062  
 Phone: 503-612-2300  
 800-275-4899  
 Fax: 503-612-2383  
 Website: www.cui.com

TITLE: 2.5mm SURFACE MOUNT POWER JACK		REV: A
PART NO. PJ-036B-SMT		UNITS: MM [INCHES]
DRAWN BY: ZRJ	APPROVED BY:	SCALE: 3:1