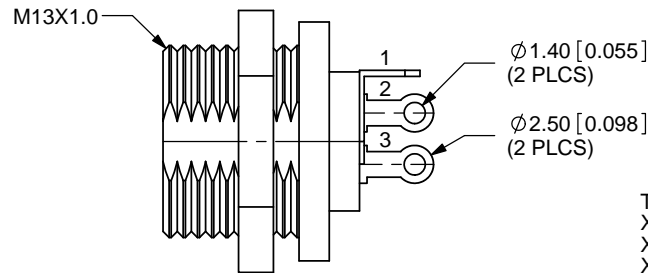
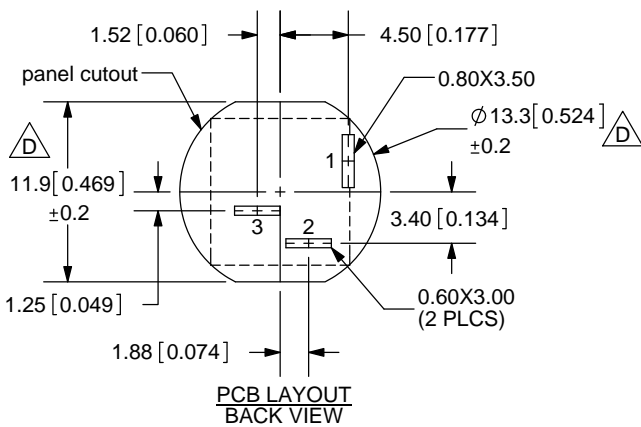
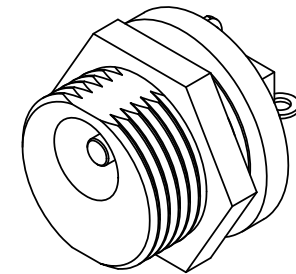
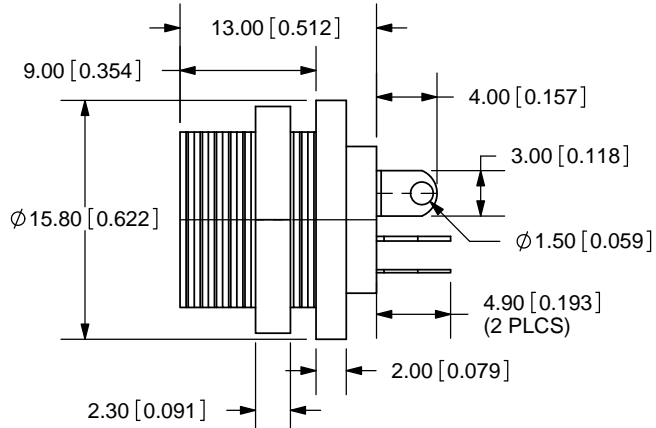
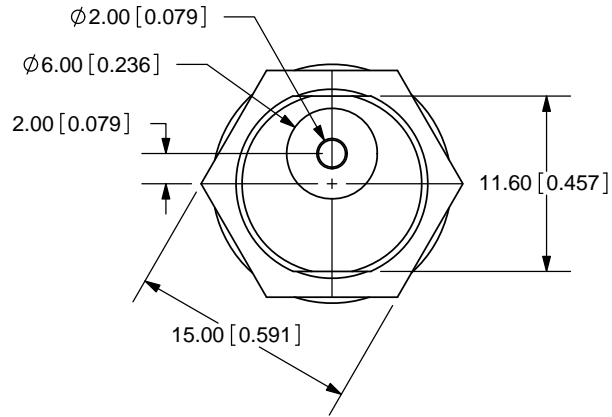


REV.	DESCRIPTION	DATE
B	update to pin positions	5/1/2008
C	model revised	5/12/2008
D	hole cutout dimensions added	6/27/2011



TOLERANCE:
 X.X ±0.2mm
 X.XX ±0.1mm
 X.XXX ±0.05mm



SPECIFICATIONS:
 RATING: 12V DC @ 2A
 CONTACT RESISTANCE: 30m OHMS MAX
 INSULATION RESISTANCE: 100M OHMS MIN: 500V DC
 VOLTAGE WITHSTAND: 500V AC R.M.S. FOR 1 MINUTE
 LIFE: 5,000 CYCLES



20050 SW 112th Ave.
 Tualatin, OR 97062
 Phone: 503-612-2300
 800-275-4899
 Fax: 503-612-2383
 Website: www.cui.com

MODEL NO.	PJ-011A
SCHMATIC	

CENTER PIN DIAMETER 2.0mm Dia.

	MATERIAL	PLATING
CENTER PIN	Copper	Nickel
TERMINAL 1	Brass	Silver
TERMINAL 2	Phosphor Bronze	Silver
TERMINAL 3	Brass	Silver
NUT	Brass	Nickel
INSULATOR	Bakelite	
HOUSING	POM	

TITLE:	DC POWER JACK	REV:	D
PART NO.	PJ-011A	UNITS:	MM [INCHES]
DRAWN BY:	ZRJ	APPROVED BY:	
SCALE:			2:1

PC FILE NAME:
PJ-011A

COPYRIGHT 2011 BY CUI INC.