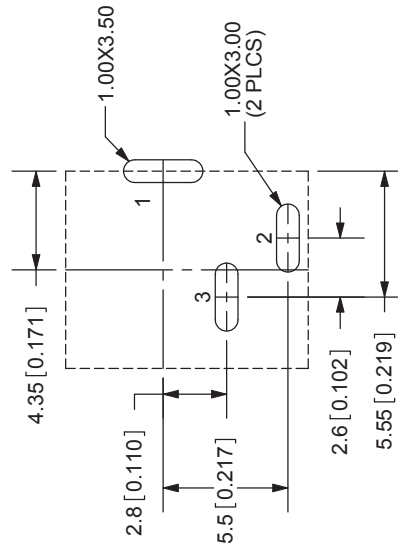
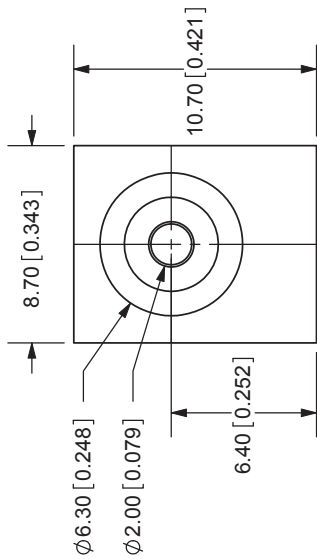
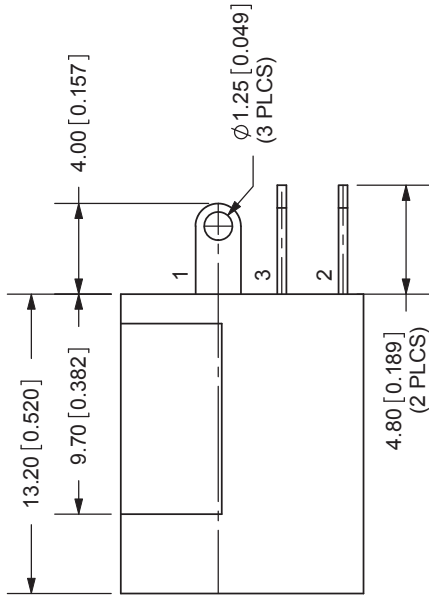


REV.	DESCRIPTION	DATE
A	NEW DRAWING	5/17/2006
B	hand soldering note added	4/23/2009



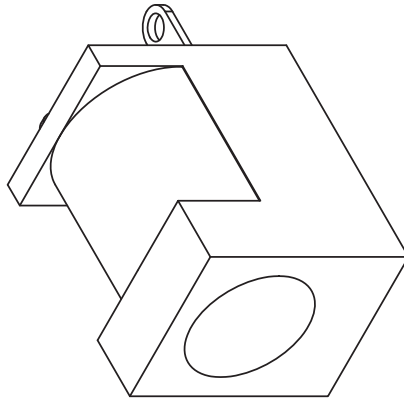
PCB LAYOUT
BACK VIEW

MODEL NO.	PJ-006A
SCHEMATIC	
CENTER PIN DIAMETER 2.0mm	

NOTE:
1. FOR HAND SOLDERING ONLY

SPECIFICATIONS:
 RATING: 16V DC @ 2A
 CONTACT RESISTANCE: 30m OHMS MAX
 INSULATION RESISTANCE: 100M OHMS MIN: 500V DC
 VOLTAGE WITHSTAND: 500V AC R.M.S. FOR 1 MINUTE
 LIFE: 5,000 CYCLES
 OPERATING TEMP: -20° ~ +85°C

CENTER PIN	MATERIAL	PLATING
TERMINAL 1	Copper	Nickel
TERMINAL 2	Brass	Silver
TERMINAL 3	Phosphor Bronze	Silver
HOUSING	Brass	Silver
	PBT	



TOLERANCE:
±0.3mm UNLESS OTHERWISE
SPECIFIED



20050 SW 112th Ave.
 Tualatin, OR 97062
 Phone: 503-612-2300
 800-275-4899
 Fax: 503-612-2383
 Website: www.cui.com

TITLE:	DC POWER JACK	REV:	B
PART NO:	PJ-006A	UNITS:	MM [INCHES]
DRAWN BY:	ZRJ	APPROVED BY:	
		SCALE:	3:1