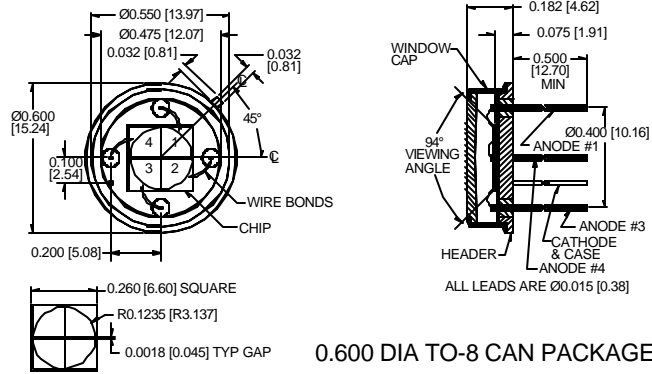


PHOTONIC DETECTORS INC.

Silicon Photodiode, Blue Enhanced Photoconductive Quadrant Type PDB-C204



PACKAGE DIMENSIONS INCH (mm)



FEATURES

- High speed
- Low capacitance
- Blue enhanced
- Low dark current

DESCRIPTION

The **PDB-C204** is a silicon, pin planar diffused, blue enhanced quadrant cell photodiode. Ideal for high speed photoconductive applications. Packaged in a 0.600 dia TO-8 metal can with a flat window cap.

APPLICATIONS

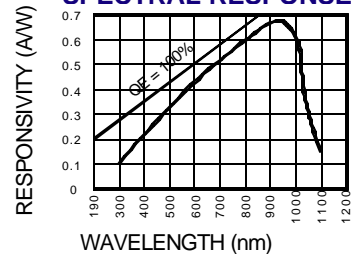
- Optical Alignment
- Position sensing
- Edge sensing
- Instrumentation

ABSOLUTE MAXIMUM RATING (TA=25°C unless otherwise noted)

SYMBOL	PARAMETER	MIN	MAX	UNITS
V _{BR}	Reverse Voltage		100	V
T _{STG}	Storage Temperature	-55	+150	°C
T _O	Operating Temperature Range	-40	+125	°C
T _S	Soldering Temperature*		+240	°C
I _L	Light Current		0.5	mA

*1/16 inch from case for 3 secs max

SPECTRAL RESPONSE



ELECTRO-OPTICAL CHARACTERISTICS PER ELEMENT (TA=25°C unless otherwise noted)

SYMBOL	CHARACTERISTIC	TEST CONDITIONS	MIN	TYP	MAX	UNITS
I _{SC}	Short Circuit Current	H = 100 fc, 2850 K	100	125		mA
I _D	Dark Current	H = 0, V _R = 10 V		2.5	5	nA
R _{SH}	Shunt Resistance	H = 0, V _R = 10 mV	150	200		MΩ
TC R _{SH}	R _{SH} Temp. Coefficient	H = 0, V _R = 10 mV		-8		% / °C
C _J	Junction Capacitance	H = 0, V _R = 10 V		40		pF
λ _{range}	Spectral Application Range	Spot Scan	320		1100	nm
λ _p	Spectral Response - Peak	Spot Scan		950		nm
V _{BR}	Breakdown Voltage	I = 10 mA	50	100		V
NEP	Noise Equivalent Power	V _R = 10 V @ Peak		.75x10 ⁻¹⁴		W/√Hz
t _r	Response Time	RL = 1 KΩ V _R = 10 V		5	15	nS

Information in this technical data sheet is believed to be correct and reliable. However, no responsibility is assumed for possible inaccuracies or omission. Specifications are subject to change without notice.