

# MP1C Series



This float switch is designed specially to maintain the air cushion in autoclaves and is available in two different versions 1" or 1"1/4.diameter. Thanks to its small diameter it can be introduced into the tank through a coupling and mounted either horizontally or vertically (with counterweight).The level switch action point is determined by the cable length with the entry point (if horizontal) or to the application point (if vertical).When the tank water level rises , the switch gives the starting up command to the compressor contactor or to the compressed air valve, which then stops the pump with an auxiliary contact. When the water / air level stabilises at the desired position, the switch stops the compressor and starts the pump.

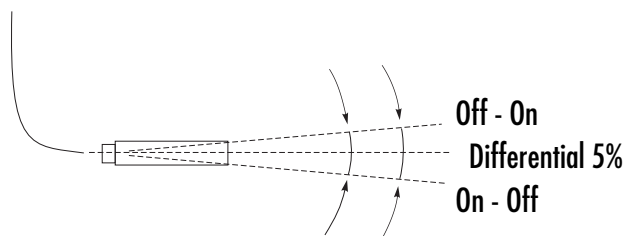


Technical Specifications		MP1C-3	MP1C-5
Contact Form		C/O	
Material		High Density Polyethylene	
Temp Range	°C	0 / +55	
	°F	+ 32 / +131	
Cable		3 metre	5 metre
Standard cable covering		PVC 3x1 A05 VVF Rf60	
Max. working pressure		10 bar	
Electrical Specifications			
Power Rating	Max	3VA	
Switching Voltage	Max	60Vac	
Switching Current	Max. Resistive	0.25 A	

It is necessary to use an auxiliary relay, when switching any significant load.

- For compressor receivers or pressurised tanks
- Installation through G1" or G1"1/4
- Supplied with gland & counterweight
- Mount through side or top of tank

## MECHANICAL



Minimum Cable Pivot length 120mm

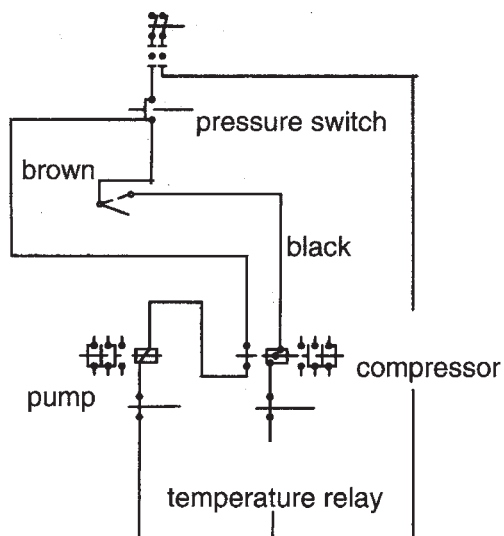
Cynergy3 Components Ltd  
7 Cobham Road  
Ferndown Industrial Estate  
Wimborne  
Dorset BH21 7PE  
Tel: +44 (0) 1202 897969

sales@cynergy3.com

ISO 9001 CERTIFIED

© 2011 Cynergy3 Components, All Rights Reserved. Specifications are subject to change without prior notice. Cynergy3 Components and the Cynergy3 Components logo are trademarks of Cynergy3 Components Limited.

www.cynergy3.com



1" Ø 28,5 mm

1" 1/4 Ø 37,5 mm

