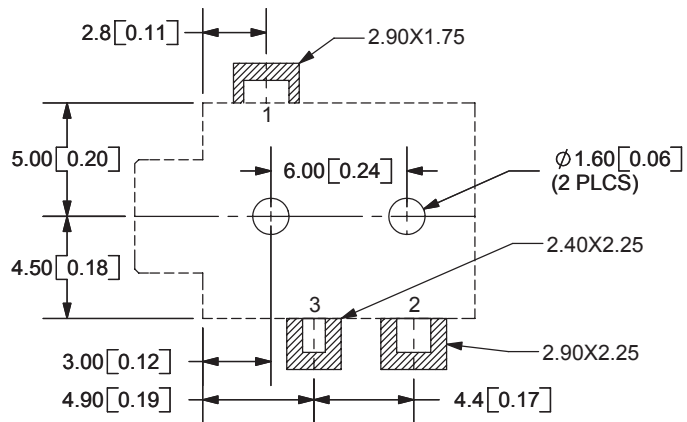
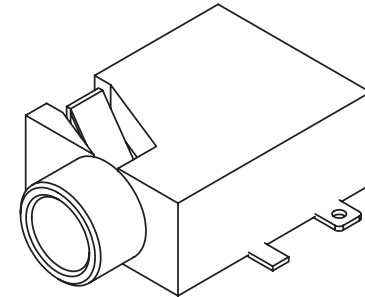
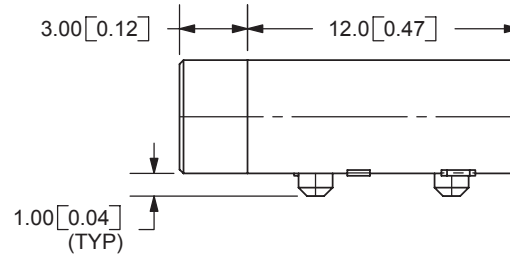
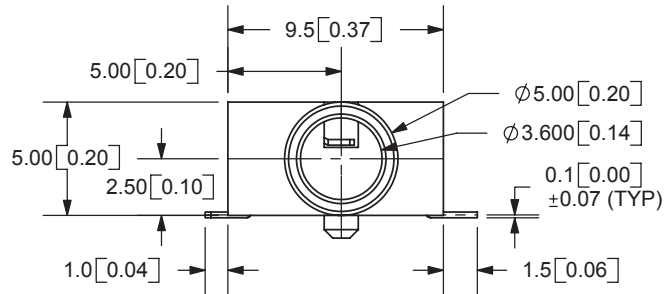
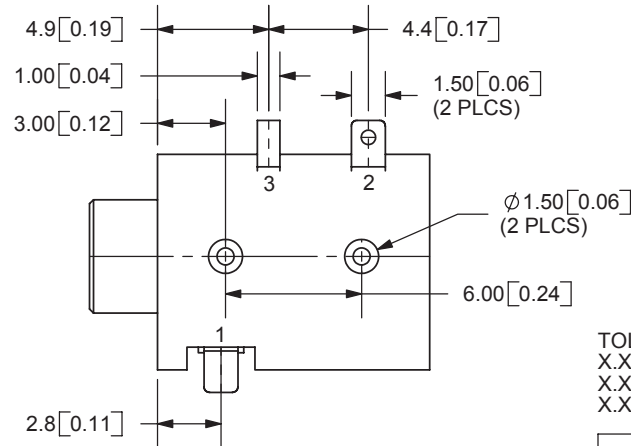


| REV. | DESCRIPTION | DATE |
|------|-------------------------|------------|
| A | NEW DRAWING | 11/21/2005 |
| B | added TR package option | 11/7/2012 |



PCB LAYOUT
TOP VIEW



Note:
Add suffix "-TR" to the model number for
tape & reel packaging

TOLERANCE:
X.X ±0.2mm
X.XX ±0.1mm
X.XXX ±0.05mm



20050 SW 112th Ave.
Tualatin, OR 97062
Phone: 503-612-2300
800-275-4899
Fax: 503-372-1266
Website: www.cui.com

SPECIFICATIONS:
RATING: 16V DC @ 300mA
CONTACT RESISTANCE: 30m OHMS MAX
INSULATION RESISTANCE: 50M OHMS MIN: 500V DC
VOLTAGE WITHSTAND: 500V AC R.M.S. FOR 1 MINUTE
LIFE: 5,000 CYCLES
OPERATING TEMP: -25° ~ +85°C

| | |
|-----------|--------------|
| MODEL NO. | MJ1-3510-SMT |
| SCHEMATIC | |

| | MATERIAL | PLATING |
|------------|--------------|---------|
| TERMINAL 1 | Copper Alloy | Gold |
| TERMINAL 2 | Copper Alloy | Gold |
| TERMINAL 3 | Brass | Gold |
| HOUSING | PA6T | |

| | | | |
|-----------|-------------------------------------|--------------|-------------|
| TITLE: | 3.5mm SURFACE MOUNT AUDIO JACK-MONO | REV: | B |
| PART NO. | MJ1-3510-SMT | UNITS: | MM [INCHES] |
| DRAWN BY: | ZRJ | APPROVED BY: | |
| | | SCALE: | 3:1 |

PC FILE NAME:
MJ1-3510-SMT

COPYRIGHT 2012 BY CUI INC.