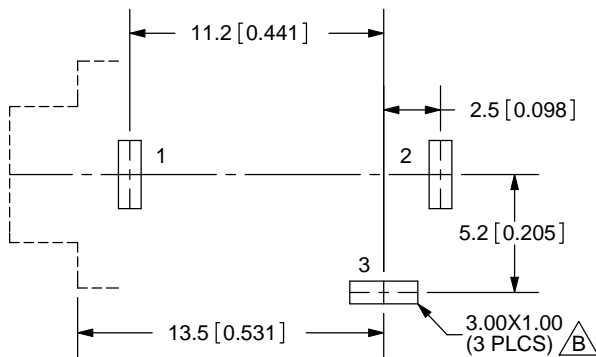
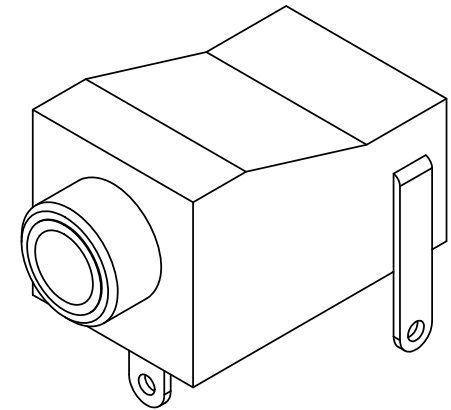
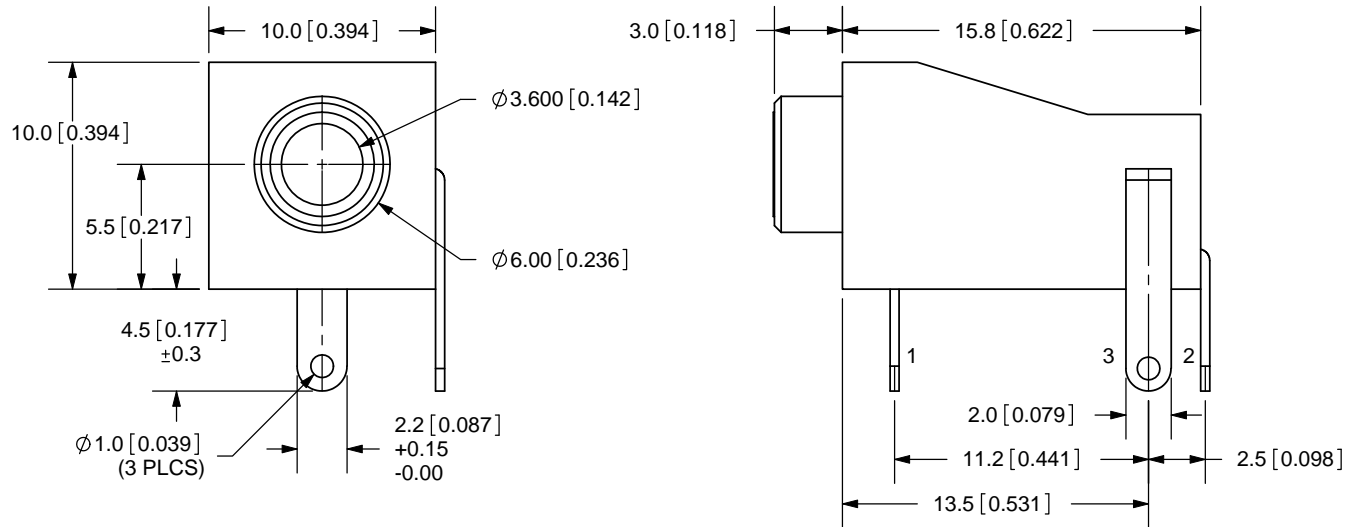


REV.	DESCRIPTION	DATE
A	NEW DRAWING	11/17/2005
B	added PCB slot dimensions	10/7/2010



PCB LAYOUT  
TOP VIEW

TOLERANCE:  
X.X ±0.2mm  
X.XX ±0.1mm  
X.XXX ±0.05mm



MODEL NO.	MJ-3536N
DIA.	NON-THREAD
	M6X0.5
SCHEMATIC	

**SPECIFICATIONS:**  
 RATING: 12V DC @ 1A  
 CONTACT RESISTANCE: 30m OHMS MAX  
 INSULATION RESISTANCE: 50M OHMS MIN: 100V DC  
 VOLTAGE WITHSTAND: 500V AC R.M.S. FOR 1 MINUTE  
 LIFE: 5,000 CYCLES

	MATERIAL	PLATING
BUSHING	Brass	Nickel
TERMINAL 1	Brass	Tin
TERMINAL 2	Copper Alloy	Tin
TERMINAL 3	Brass	Tin
HOUSING	PBT	



20050 SW 112th Ave.  
 Tualatin, OR 97062  
 Phone: 503-612-2300  
 800-275-4899  
 Fax: 503-612-2383  
 Website: www.cui.com

TITLE: 3.5mm AUDIO JACK - MONO	REV: B
PART NO. MJ-3536N	UNITS: MM [INCHES]
DRAWN BY: ZRJ	APPROVED BY:
	SCALE: 3:1

PC FILE NAME:  
MJ-3536N

COPYRIGHT 2010 BY CUI INC.