



**Hot-Swappable, 21-Bit, DC-Balanced LVDS
Deserializers**

General Description

The MAX9234/MAX9236/MAX9238 deserialize three LVDS serial-data inputs into 21 single-ended LVCMOS/LVTTL outputs. A parallel-rate LVDS clock received with the LVDS data streams provides timing for deserialization. The outputs have a separate supply, allowing 1.8V to 5V output logic levels. All these devices are hot-swappable and allow “on-the-fly” frequency programming.

The MAX9234/MAX9236/MAX9238 feature DC balance, which allows isolation between a serializer and deserializer using AC-coupling. Each deserializer decodes data transmitted by one of the MAX9209/MAX9211/MAX9213/MAX9215 serializers.

The MAX9234 has a rising-edge output strobe. The MAX9236/MAX9238 have a falling-edge output strobe. The MAX9234/MAX9236/MAX9238 operate in DC-balanced mode only.

The MAX9234/MAX9236 operate with a parallel input clock of 8MHz to 34MHz, while the MAX9238 operates from 16MHz to 66MHz. The transition time of the single-ended outputs is increased on the low-frequency version parts (MAX9234/MAX9236) for reduced EMI. The LVDS inputs meet ISO 10605 ESD specification, ±25kV for Air-Gap Discharge and ±8kV Contact Discharge.

The MAX9234/MAX9236/MAX9238 are available in 48-pin TSSOP packages and operate over the -40°C to +85°C temperature range.

Applications

- Automotive Navigation Systems
- Automotive DVD Entertainment Systems
- Digital Copiers
- Laser Printers

Features

- ◆ DC Balance Allows AC-Coupling for Wider Input Common-Mode Voltage Range
- ◆ On-the-Fly Frequency Programming
- ◆ Operating Frequency Range
8MHz to 34MHz (MAX9234/MAX9236)
16MHz to 66MHz (MAX9238)
- ◆ Falling-Edge Output Strobe (MAX9236/MAX9238)
- ◆ Slower Output Transitions for Reduced EMI (MAX9234/MAX9236)
- ◆ High-Impedance Outputs when PWRDWN Is Low Allow Output Busing
- ◆ 5V-Tolerant PWRDWN Input
- ◆ PLL Requires No External Components
- ◆ Up to 1.386Gbps Throughput
- ◆ Separate Output Supply Pins Allow Interface to 1.8V, 2.5V, 3.3V, and 5V Logic
- ◆ LVDS Inputs Meet ISO 10605 ESD Requirements
- ◆ LVDS Inputs Conform to ANSI TIA/EIA-644 LVDS Standard
- ◆ Low-Profile, 48-Lead TSSOP Package
- ◆ +3.3V Main Power Supply
- ◆ -40°C to +85°C Operating Temperature Range

Ordering Information

PART	TEMP RANGE	PIN-PACKAGE
MAX9234EUM+	-40°C to +85°C	48 TSSOP
MAX9234EUM/V+	-40°C to +85°C	48 TSSOP
MAX9236EUM+	-40°C to +85°C	48 TSSOP
MAX9238EUM+	-40°C to +85°C	48 TSSOP

+ Denotes a lead(Pb)-free/RoHS-compliant package.

/V Denotes an automotive qualified part.

Note: Devices are also available in a tape-and-reel packaging. Specify tape and reel by adding “T” to the part number when ordering.

Functional Diagram and Pin Configuration appear at end of data sheet.

For pricing, delivery, and ordering information, please contact Maxim Direct at 1-888-629-4642, or visit Maxim’s website at www.maximintegrated.com.

MAX9234/MAX9236/MAX9238

Hot-Swappable, 21-Bit, DC-Balanced LVDS Deserializers

ABSOLUTE MAXIMUM RATINGS

V _{CC} to GND	-0.5V to +4.0V
V _{CC0} to GND	-0.5V to +6.0V
RxIN ₋ , RxCLK IN ₋ to GND	-0.5V to +4.0V
PWRDWN to GND	-0.5V to 6.0V
RxOUT ₋ , RxCLK OUT to GND	-0.5V to (V _{CC0} + 0.5V)
Continuous Power Dissipation (T _A = +70°C)	
48-Pin TSSOP (derate 16mW/°C above +70°C)	1282mW
Storage Temperature Range	-65°C to +150°C
Junction Temperature	+150°C

ESD Protection	
Human Body Model (R _D = 1.5kΩ, C _S = 100pF)	
All Pins to GND	±5kV
IEC 61000-4-2 (R _D = 330Ω, C _S = 150pF)	
Contact Discharge (RxIN ₋ , RxCLK IN ₋) to GND	±8kV
Air-Gap Discharge (RxIN ₋ , RxCLK IN ₋) to GND	±15kV
ISO 10605 (R _D = 2kΩ, C _S = 330pF)	
Contact Discharge (RxIN ₋ , RxCLK IN ₋) to GND	±8kV
Air Discharge (RxIN ₋ , RxCLK IN ₋) to GND	±25kV
Lead Temperature (soldering, 10s)	+300°C
Soldering Temperature (reflow)	+260°C

Stresses beyond those listed under "Absolute Maximum Ratings" may cause permanent damage to the device. These are stress ratings only, and functional operation of the device at these or any other conditions beyond those indicated in the operational sections of the specifications is not implied. Exposure to absolute maximum rating conditions for extended periods may affect device reliability.

DC ELECTRICAL CHARACTERISTICS

(V_{CC} = +3.0V to +3.6V, V_{CC0} = +3.0V to +5.5V, PWRDWN = high, differential input voltage |V_{ID}| = 0.05V to 1.2V, input common-mode voltage V_{CM} = |V_{ID}/2| to 2.4V - |V_{ID}/2|, T_A = -40°C to +85°C, unless otherwise noted. Typical values are at V_{CC} = V_{CC0} = +3.3V, |V_{ID}| = 0.2V, V_{CM} = 1.25V, T_A = +25°C.) (Notes 1, 2)

PARAMETER	SYMBOL	CONDITIONS		MIN	TYP	MAX	UNITS	
SINGLE-ENDED INPUT (PWRDWN)								
High-Level Input Voltage	V _{IH}			2.0		5.5	V	
Low-Level Input Voltage	V _{IL}			-0.3		+0.8	V	
Input Current	I _{IN}	V _{IN} = high or low		-70		+70	μA	
Input Clamp Voltage	V _{CL}	I _{CL} = -18mA				-1.5	V	
SINGLE-ENDED OUTPUTS (RxOUT₋, RxCLK OUT)								
High-Level Output Voltage	V _{OH}	I _{OH} = -100μA		V _{CC0} - 0.1		V		
		I _{OH} = -2mA	MAX9234/ MAX9236	RxCLK OUT	V _{CC0} - 0.25			
			MAX9238	RxOUT ₋	V _{CC0} - 0.40			
Low-Level Output Voltage	V _{OL}	I _{OL} = 100μA		0.1		V		
		I _{OL} = 2mA	MAX9234/ MAX9236	RxCLK OUT	0.2			
			MAX9238	RxOUT ₋	0.26			
High-Impedance Output Current	I _{OZ}	PWRDWN = low, V _{OUT₋} = -0.3V to V _{CC0} + 0.3V		-20		+20	μA	
Output Short-Circuit Current (Note: Short one output at a time.)	I _{OS}	V _{CC0} = 3.0V to 3.6V, V _{OUT} = 0V	MAX9234/ MAX9236	RxCLK OUT	-10	-40	mA	
			MAX9238	RxOUT ₋	-5	-20		
		V _{CC0} = 4.5V to 5.5V, V _{OUT} = 0V	MAX9234/ MAX9236	RxCLK OUT	-28	-75		
			MAX9238	RxOUT ₋	-14	-37		
			MAX9238		-28	-75		

MAX9234/MAX9236/MAX9238

Hot-Swappable, 21-Bit, DC-Balanced LVDS Deserializers

DC ELECTRICAL CHARACTERISTICS (continued)

($V_{CC} = +3.0V$ to $+3.6V$, $V_{CC0} = +3.0V$ to $+5.5V$, $\overline{PWRDWN} = \text{high}$, differential input voltage $|V_{ID}| = 0.05V$ to $1.2V$, input common-mode voltage $V_{CM} = |V_{ID}/2|$ to $2.4V - |V_{ID}/2|$, $T_A = -40^\circ C$ to $+85^\circ C$, unless otherwise noted. Typical values are at $V_{CC} = V_{CC0} = +3.3V$, $|V_{ID}| = 0.2V$, $V_{CM} = 1.25V$, $T_A = +25^\circ C$.) (Notes 1, 2)

PARAMETER	SYMBOL	CONDITIONS		MIN	TYP	MAX	UNITS
LVDS INPUTS							
Differential Input-High Threshold	V_{TH}					50	mV
Differential Input-Low Threshold	V_{TL}			-50			mV
Input Current	I_{IN+}, I_{IN-}	$\overline{PWRDWN} = \text{high or low}$		-25		+25	μA
Power-Off Input Current	I_{INO+}, I_{INO-}	$V_{CC} = V_{CC0} = 0V$ or open, $\overline{PWRDWN} = 0V$ or open		-40		+40	μA
Input Resistor 1	R_{IN1}	$\overline{PWRDWN} = \text{high or low}$ (Figure 1)		42		78	$k\Omega$
		$V_{CC} = V_{CC0} = 0V$ or open (Figure 1)					
POWER SUPPLY							
Worst-Case Supply Current	I_{CCW}	$C_L = 8pF$, worst-case pattern; $V_{CC} =$ $V_{CC0} = 3.0V$ to $3.6V$, Figure 2	MAX9234/ MAX9236	8MHz		42	mA
				16MHz		57	
				34MHz		98	
			MAX9238	16MHz		63	
				34MHz		106	
				66MHz		177	
Power-Down Supply Current	I_{CCZ}	$\overline{PWRDWN} = \text{low}$				50	μA

MAX9234/MAX9236/MAX9238

Hot-Swappable, 21-Bit, DC-Balanced LVDS Deserializers

AC ELECTRICAL CHARACTERISTICS

($V_{CC} = V_{CCO} = +3.0V$ to $+3.6V$, $100mV_{P-P}$ at $200kHz$ supply noise, $C_L = 8pF$, $\overline{PWRDWN} = \text{high}$, differential input voltage $|V_{ID}| = 0.1V$ to $1.2V$, input common mode voltage $V_{CM} = |V_{ID}|/2$ to $2.4V - |V_{ID}|/2$, $T_A = -40^\circ C$ to $+85^\circ C$, unless otherwise noted. Typical values are at $V_{CC} = V_{CCO} = +3.3V$, $|V_{ID}| = 0.2V$, $V_{CM} = 1.25V$, $T_A = +25^\circ C$.) (Notes 3, 4, 5)

PARAMETER	SYMBOL	CONDITIONS		MIN	TYP	MAX	UNITS	
Output Rise Time	CLHT	0.1V _{CCO} to 0.9V _{CCO} , Figure 3	MAX9234/ MAX9236	RxOUT	3.52	5.04	6.24	ns
				RxCLK OUT	2.2	3.15	3.9	
			MAX9238		2.2	3.15	3.9	
Output Fall Time	CHLT	0.9V _{CCO} to 0.1V _{CCO} , Figure 3	MAX9234/ MAX9236	RxOUT	1.95	3.18	4.35	ns
				RxCLK OUT	1.3	2.12	2.9	
			MAX9238		1.3	2.12	2.9	
RxIN Skew Margin	RSKM	Figure 4 (Note 6)		8MHz	6600	7044	ps	
				16MHz	2560	3137		
				34MHz	900	1327		
			MAX9238	66MHz	330	685		
RxCLK OUT High Time	RCOH	Figures 5a, 5b	0.35 x RCOP				ns	
RxCLK OUT Low Time	RCOL	Figures 5a, 5b	0.35 x RCOP				ns	
RxOUT Setup to RxCLK OUT	RSRC	Figures 5a, 5b	0.30 x RCOP				ns	
RxOUT Hold from RxCLK OUT	RHRC	Figures 5a, 5b	0.45 x RCOP				ns	
RxCLK IN to RxCLK OUT Delay	RCCD	Figures 6a, 6b	4.9	6.17	8.1	ns		
Deserializer Phase-Locked Loop Set	RPLLS	Figure 7			32800 x RCIP	ns		
Deserializer Power-Down Delay	RPDD	Figure 8			100	ns		

Note 1: Current into a pin is defined as positive. Current out of a pin is defined as negative. All voltages are referenced to ground except V_{TH} and V_{TL} .

Note 2: Maximum and minimum limits overtemperature are guaranteed by design and characterization. Devices are production tested at $T_A = +25^\circ C$.

Note 3: AC parameters are guaranteed by design and characterization, and are not production tested. Limits are set at ± 6 sigma.

Note 4: C_L includes probe and test jig capacitance.

Note 5: RCIP is the period of RxCLK IN. RCOP is the period of RxCLK OUT. $RCIP = RCOP$.

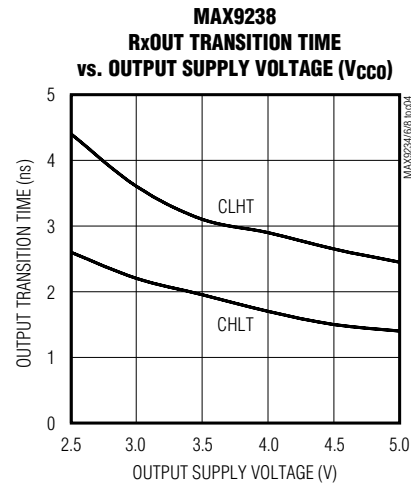
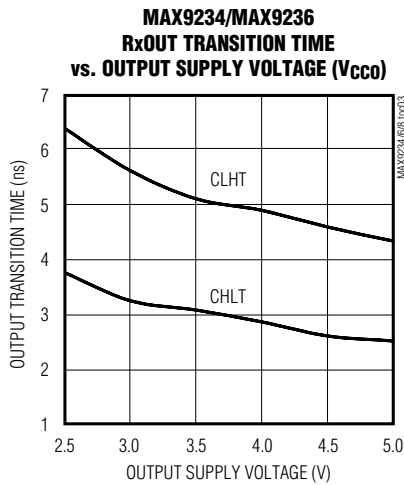
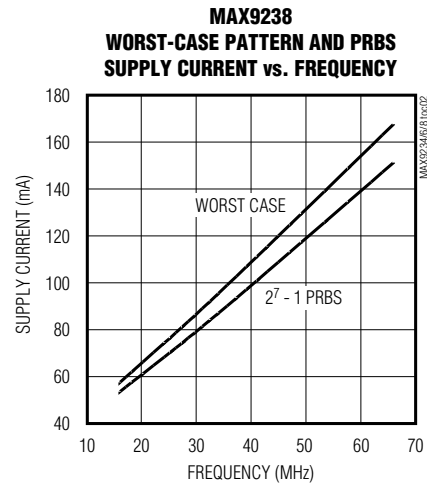
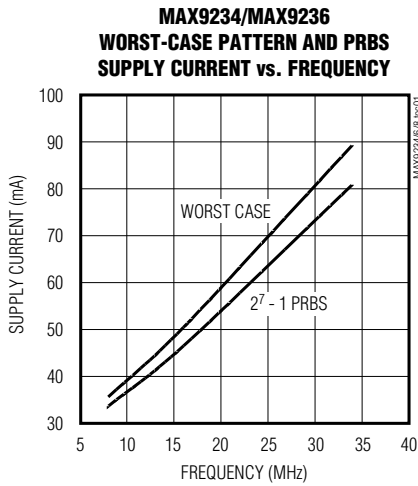
Note 6: RSKM measured with $\leq 150ps$ cycle-to-cycle jitter on RxCLK IN.

MAX9234/MAX9236/MAX9238

Hot-Swappable, 21-Bit, DC-Balanced LVDS Deserializers

Typical Operating Characteristics

($V_{CC} = V_{CC0} = +3.3V$, $C_L = 8pF$, $\overline{PWRDWN} = \text{high}$, differential input voltage $|V_{ID}| = 0.2V$, input common-mode voltage $V_{CM} = 1.2V$, $T_A = +25^\circ C$, unless otherwise noted.)



MAX9234/MAX9236/MAX9238

Hot-Swappable, 21-Bit, DC-Balanced LVDS Deserializers

Pin Description

PIN	NAME	FUNCTION
1, 2, 4, 5, 45, 46, 47	RxOUT14–RxOUT20	Channel 2 Single-Ended Outputs
3, 25, 32, 38, 44	GND	Ground
6	N.C.	No Connection
7, 13, 18	LVDS GND	LVDS Ground
8	RxIN0-	Inverting Channel 0 LVDS Serial-Data Input
9	RxIN0+	Noninverting Channel 0 LVDS Serial-Data Input
10	RxIN1-	Inverting Channel 1 LVDS Serial-Data Input
11	RxIN1+	Noninverting Channel 1 LVDS Serial-Data Input
12	LVDS V _{CC}	LVDS Supply Voltage. Bypass to LVDS GND with 0.1μF and 0.001μF capacitors in parallel as close to LVDS V _{CC} as possible, with the smallest value capacitor closest to the supply pin.
14	RxIN2-	Inverting Channel 2 LVDS Serial-Data Input
15	RxIN2+	Noninverting Channel 2 LVDS Serial-Data Input
16	RxCLK IN-	Inverting LVDS Parallel Rate Clock Input
17	RxCLK IN+	Noninverting LVDS Parallel Rate Clock Input
19, 21	PLL GND	PLL Ground
20	PLL V _{CC}	PLL Supply Voltage. Bypass to PLL GND with 0.1μF and 0.001μF capacitors in parallel as close to PLL V _{CC} as possible, with the smallest value capacitor closest to the supply pin.
22	$\overline{\text{PWRDWN}}$	5V Tolerant LVTTTL/LVCMOS Power-Down Input. Internally pulled down to GND. Outputs are high impedance when $\overline{\text{PWRDWN}}$ = low or open.
23	RxCLK OUT	Parallel Rate Clock Single-Ended Output. The MAX9234 has a rising-edge strobe. The MAX9236/MAX9238 have a falling-edge strobe.
24, 26, 27, 29, 30, 31, 33	RxOUT0–RxOUT6	Channel 0 Single-Ended Outputs
28, 36, 48	V _{CCO}	Output Supply Voltage. Bypass to GND with 0.1μF and 0.001μF capacitors in parallel as close to V _{CCO} as possible, with the smallest value capacitor closest to the supply pin.
34, 35, 37, 39, 40, 41, 43	RxOUT7–RxOUT13	Channel 1 Single-Ended Outputs
42	V _{CC}	Digital Supply Voltage. Bypass to GND with 0.1μF and 0.001μF capacitors in parallel as close to V _{CC} as possible, with the smallest value capacitor closest to the supply pin.

MAX9234/MAX9236/MAX9238

Hot-Swappable, 21-Bit, DC-Balanced LVDS Deserializers

Table 1. Part Equivalent Table

PART	EQUIVALENT WITH DCB/NC = HIGH OR OPEN	OPERATING FREQUENCY (MHz)	OUTPUT STROBE
MAX9234	MAX9210	8 to 34	Rising edge
MAX9236	MAX9220	8 to 34	Falling edge
MAX9238	MAX9222	16 to 66	Falling edge

Detailed Description

The MAX9234/MAX9236 operate at a parallel clock frequency of 8MHz to 34MHz. The MAX9238 operates at a parallel clock frequency of 16MHz to 66MHz. The transition times of the single-ended outputs are increased on the MAX9234/MAX9236 for reduced EMI.

DC Balance

Data coding by the MAX9209/MAX9211/MAX9213/MAX9215 serializers (which are companion devices to the MAX9234/MAX9236/MAX9238 deserializers) limits the imbalance of ones and zeros transmitted on each channel. If +1 is assigned to each binary 1 transmitted and -1 is assigned to each binary 0 transmitted, the variation in the running sum of assigned values is called the digital sum variation (DSV). The maximum DSV for the data channels is 10. At most, 10 more zeros than ones, or 10 more ones than zeros, are transmitted. The maximum DSV for the clock channel is five. Limiting the DSV and choosing the correct coupling capacitors maintains differential signal amplitude and reduces jitter due to droop on AC-coupled links.

To obtain DC balance on the data channels, the serializer parallel data is inverted or not inverted, depending on the sign of the digital sum at the word boundary. Two complementary bits are appended to each group of 7 parallel input data bits to indicate to the MAX9234/MAX9236/MAX9238 deserializers whether the data bits are inverted (see Figure 9). The deserializer restores the original state of the parallel data. The LVDS clock signal alternates duty cycles of 4/9 and 5/9, which maintain DC balance.

AC-Coupling Benefits

Bit errors experienced with DC-coupling can be eliminated by increasing the receiver common-mode voltage range by AC-coupling. AC-coupling increases the common-mode voltage range of an LVDS receiver to nearly the voltage rating of the capacitor. The typical LVDS driver output is 350mV centered on an offset voltage of 1.25V, making single-ended output voltages of 1.425V and 1.075V. An LVDS receiver accepts signals from 0 to 2.4V, allowing approximately ±1V common-mode difference between the driver and receiver on a DC-coupled

link ($2.4V - 1.425V = 0.975V$ and $1.075V - 0V = 1.075V$). Common-mode voltage differences may be due to ground potential variation or common-mode noise. If there is more than ±1V of difference, the receiver is not guaranteed to read the input signal correctly and may cause bit errors. AC-coupling filters low-frequency ground shifts and common-mode noise and passes high-frequency data. A common-mode voltage difference up to the voltage rating of the coupling capacitor (minus half the differential swing) is tolerated. DC-balanced coding of the data is required to maintain the differential signal amplitude and limit jitter on an AC-coupled link. A capacitor in series with each output of the LVDS driver is sufficient for AC-coupling. However, two capacitors—one at the serializer output and one at the deserializer input—provide protection in case either end of the cable is shorted to a high voltage.

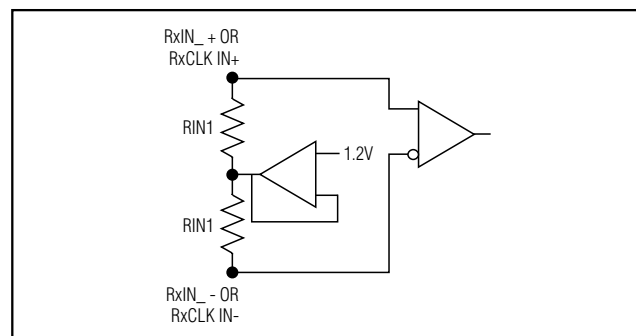


Figure 1. LVDS Input Circuit

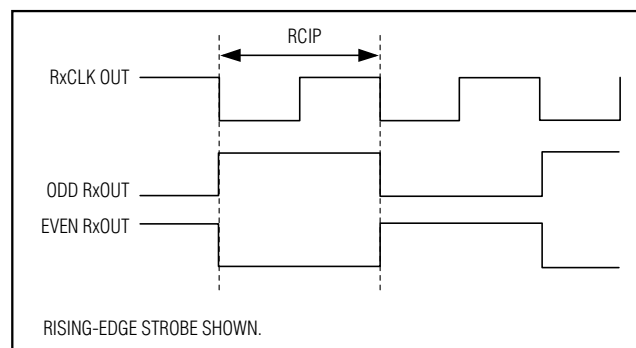


Figure 2. Worst-Case Test Pattern

MAX9234/MAX9236/MAX9238

Hot-Swappable, 21-Bit, DC-Balanced LVDS Deserializers

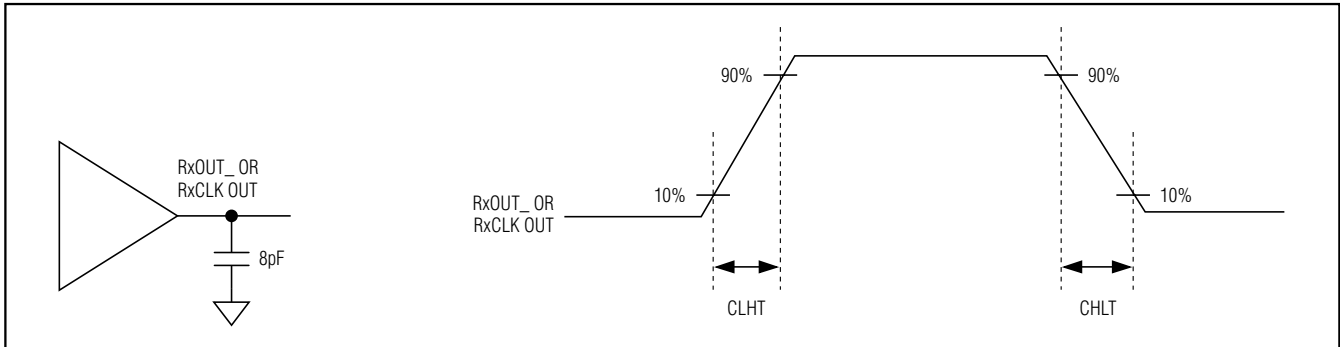


Figure 3. Output Load and Transition Times

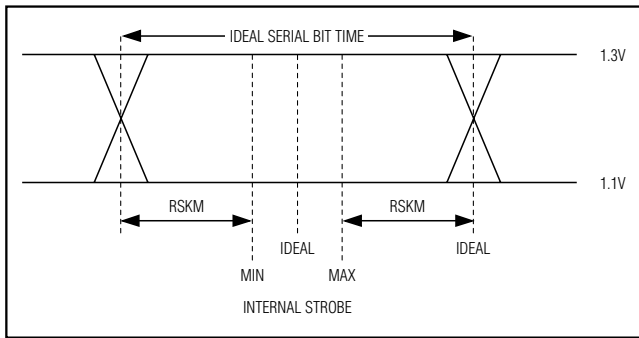


Figure 4. LVDS Receiver Input Skew Margin

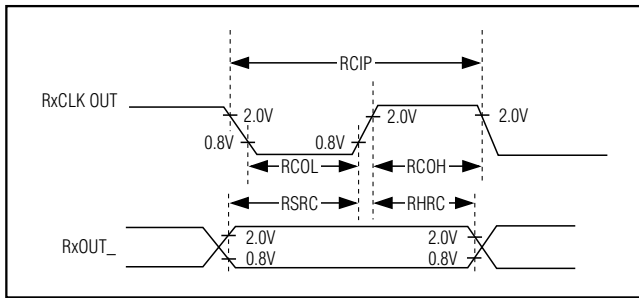


Figure 5a. MAX9234 Output Setup/Hold and High/Low Times

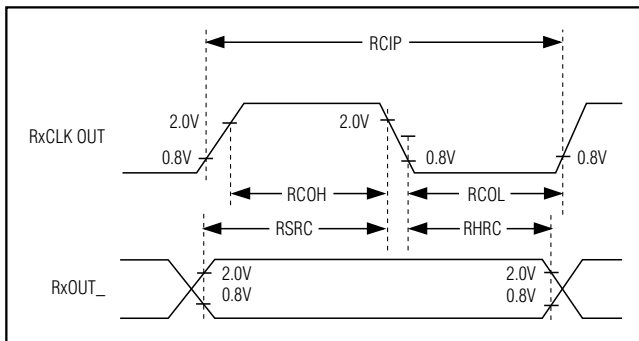


Figure 5b. MAX9236/MAX9238 Output Setup/Hold and High/Low Times

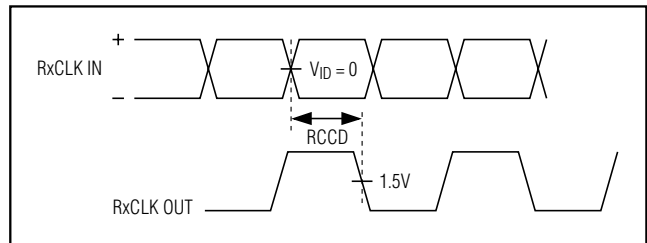


Figure 6a. MAX9234 Clock-IN to Clock-OUT Delay

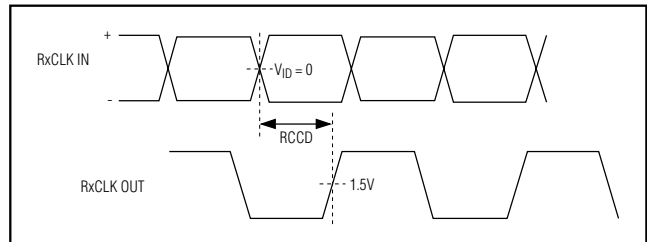


Figure 6b. MAX9236/MAX9238 Clock-IN to Clock-OUT Delay

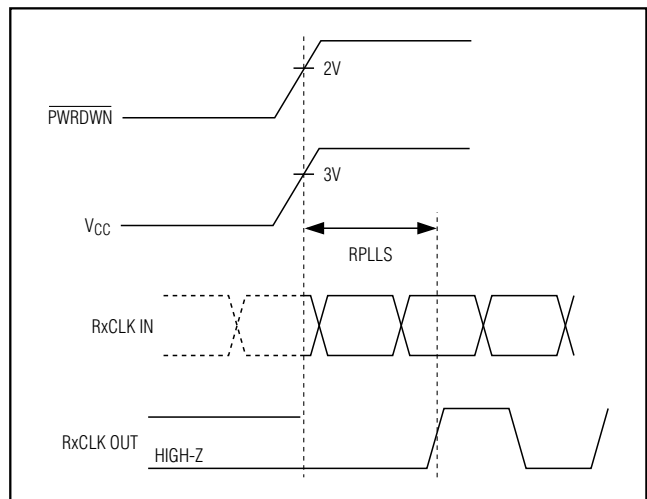


Figure 7. Phase-Locked Loop Set Time

MAX9234/MAX9236/MAX9238

Hot-Swappable, 21-Bit, DC-Balanced LVDS Deserializers

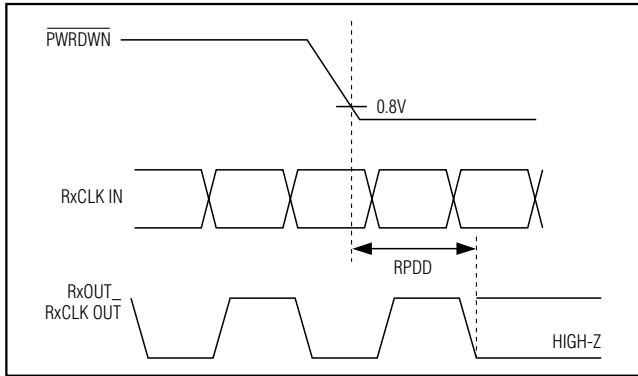


Figure 8. Power-Down Delay

MAX9234/MAX9236/MAX9238 vs. MAX9210/MAX9220/MAX9222

The MAX9234/MAX9236/MAX9238 operate in DC-balance mode only. Pinouts are the same as the MAX9210/MAX9220/MAX9222 except that pin 6 on the MAX9234/MAX9236/MAX9238 is no connect (N.C.). DC balance allows AC-coupling with series capacitors. The MAX9234/MAX9236/MAX9238 are hot-swappable and the input frequency can be changed on the fly, but otherwise the specifications and functionality are the same as the MAX9210/MAX9220/MAX9222 operating in DC-balance mode. See Table 1.

Applications Information

Selection of AC-Coupling Capacitors

Voltage droop and the DSV of transmitted symbols cause signal transitions to start from different voltage levels. Because the transition time is finite, starting the signal transition from different voltage levels causes timing jitter. The time constant for an AC-coupled link needs to be chosen to reduce droop and jitter to an acceptable level.

The RC network for an AC-coupled link consists of the LVDS receiver termination resistor (R_T), the LVDS driver output resistor (R_O), and the series AC-coupling capacitors (C). The RC time constant for two equal-value series capacitors is $(C \times (R_T + R_O)) / 2$ (Figure 10). The RC time constant for four equal-value series capacitors is $(C \times (R_T + R_O)) / 4$ (Figure 11).

R_T is required to match the transmission line impedance (usually 100Ω) and R_O is determined by the LVDS driver design (the minimum differential output resistance of 78Ω for the MAX9209/MAX9211/MAX9213/MAX9215 serializers is used in the following example). This leaves the capacitor selection to change the system time constant.

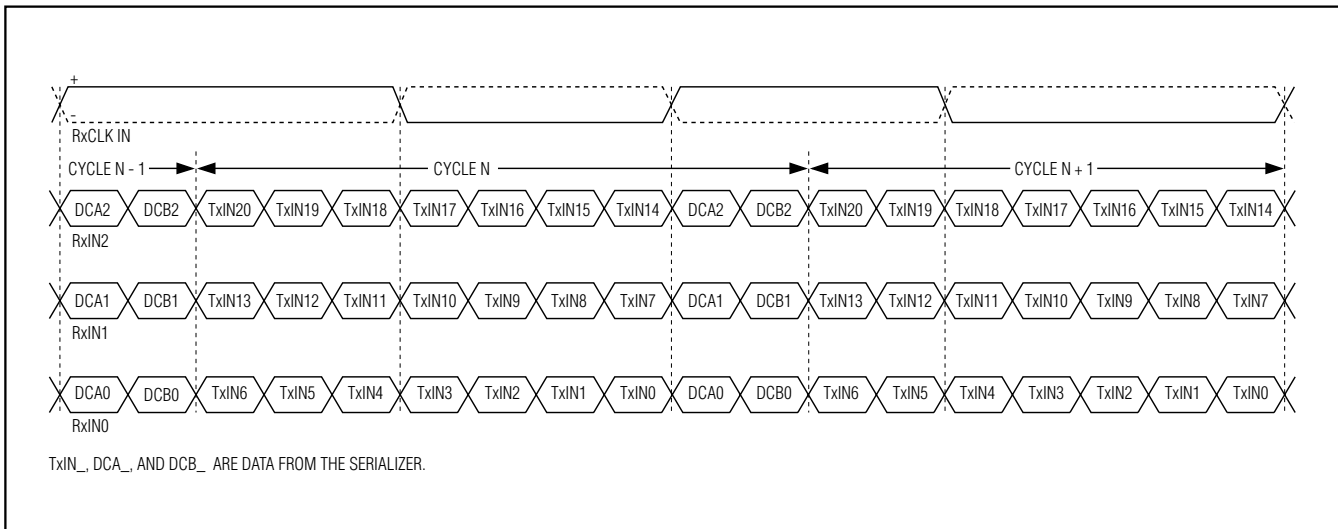


Figure 9. Deserializer Serial Input

MAX9234/MAX9236/MAX9238

Hot-Swappable, 21-Bit, DC-Balanced LVDS Deserializers

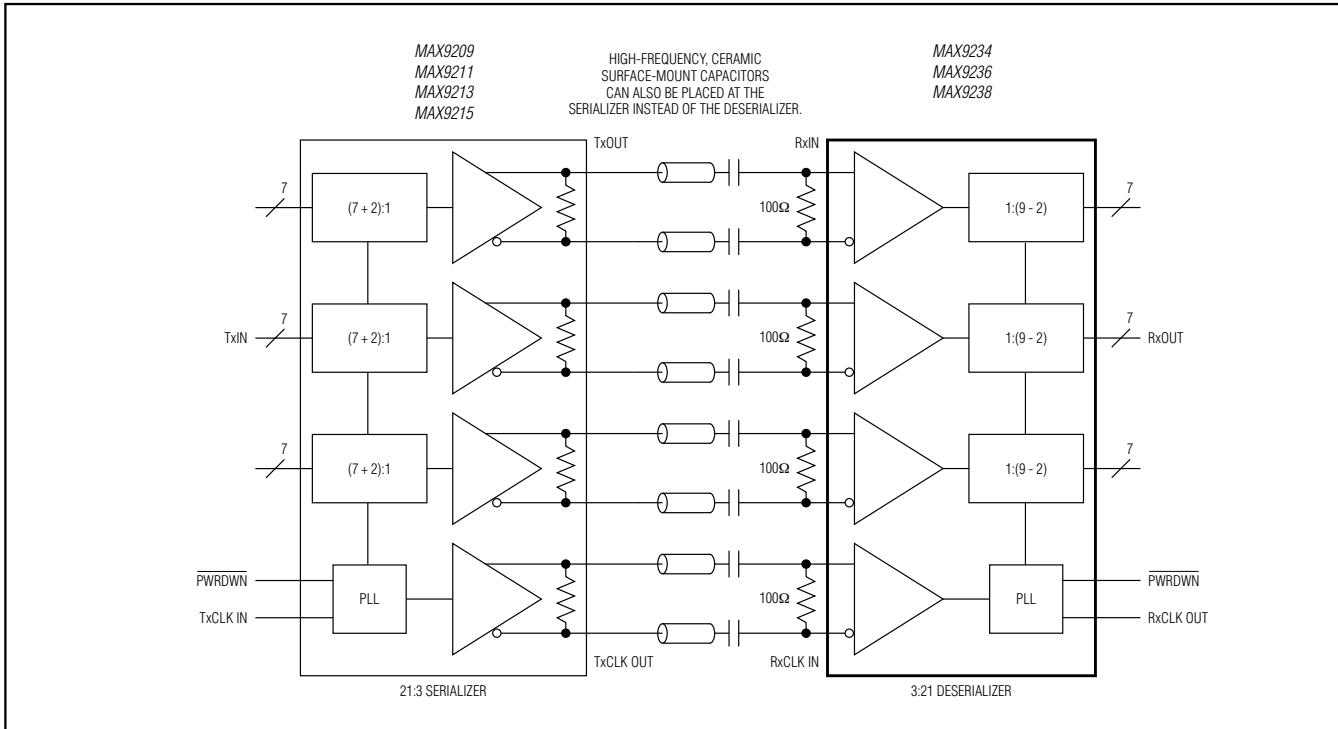


Figure 10. Two Capacitors per Link, AC-Coupled

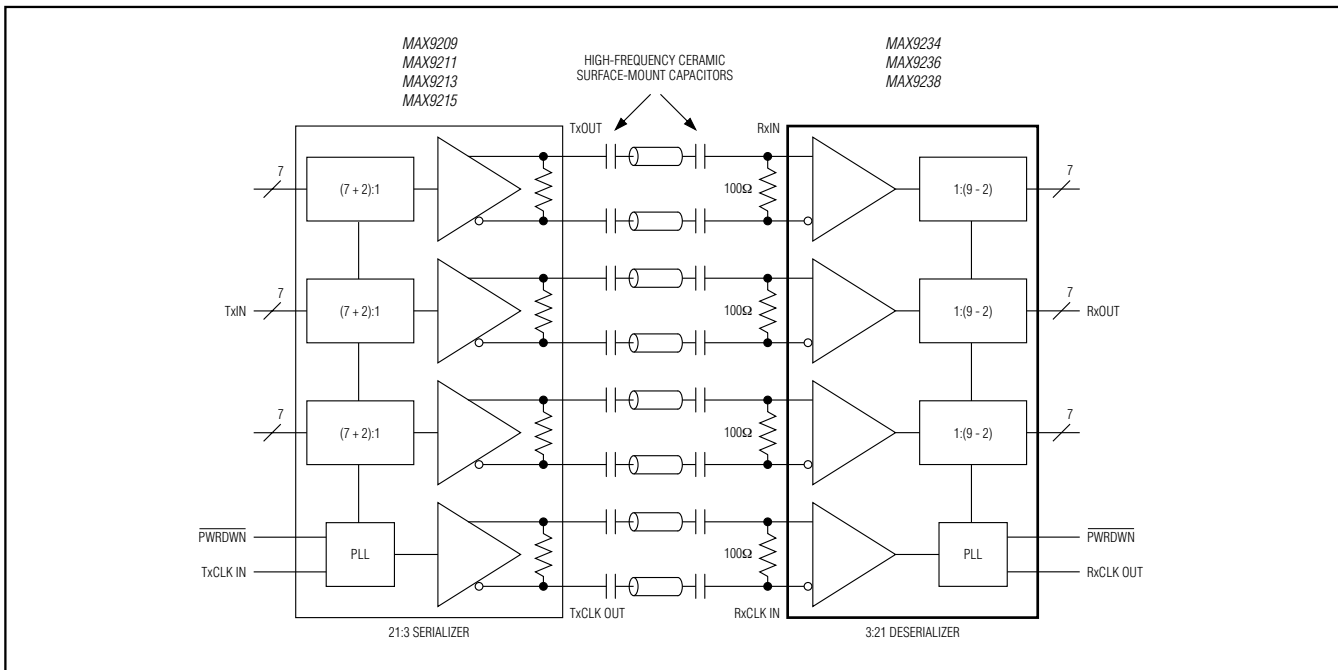


Figure 11. Four Capacitors per Link, AC-Coupled

MAX9234/MAX9236/MAX9238

Hot-Swappable, 21-Bit, DC-Balanced LVDS Deserializers

In the following example, the capacitor value for a droop of 2% is calculated. Jitter due to this droop is then calculated assuming a 1ns transition time:

$$C = - (2 \times t_B \times \text{DSV}) / (\ln(1 - D) \times (R_T + R_O)) \quad (\text{Eq 1})$$

where:

C = AC-coupling capacitor (F).

t_B = bit time (s).

DSV = digital sum variation (integer).

ln = natural log.

D = droop (% of signal amplitude).

R_T = termination resistor (Ω).

R_O = output resistance (Ω).

Equation 1 is for two series capacitors (Figure 10). The bit time (t_B) is the period of the parallel clock divided by 9. The DSV is 10. See equation 3 for four series capacitors (Figure 11).

The capacitor for 2% maximum droop at 8MHz parallel rate clock is:

$$C = - (2 \times t_B \times \text{DSV}) / (\ln(1 - D) \times (R_T + R_O))$$

$$C = - (2 \times 13.9\text{ns} \times 10) / (\ln(1 - 0.02) \times (100\Omega + 78\Omega))$$

$$C = 0.0773\mu\text{F}$$

Jitter due to droop is proportional to the droop and transition time:

$$t_J = t_T \times D \quad (\text{Eq 2})$$

where:

t_J = jitter (s).

t_T = transition time (s) (0 to 100%).

D = droop (% of signal amplitude).

Jitter due to 2% droop and assumed 1ns transition time is:

$$t_J = 1\text{ns} \times 0.02$$

$$t_J = 20\text{ps}$$

The transition time in a real system depends on the frequency response of the cable driven by the serializer. The capacitor value decreases for a higher frequency parallel clock and for higher levels of droop and jitter. Use high-frequency, surface-mount ceramic capacitors.

Equation 1 altered for four series capacitors (Figure 11) is:

$$C = - (4 \times t_B \times \text{DSV}) / (\ln(1 - D) \times (R_T + R_O)) \quad (\text{Eq 3})$$

Input Bias and Frequency Detection

The inverting and noninverting LVDS inputs are internally connected to +1.2V through 42k Ω (min) to provide biasing for AC-coupling (Figure 1). A frequency-detection circuit on the clock input detects when the input is not switching, or is switching at low frequency. In this case, all outputs are driven low. To prevent switching due to noise when the clock input is not driven, bias the clock input to differential +15mV by connecting a 10k Ω \pm 1%

pullup resistor between the noninverting input and V_{CC} , and a 10k Ω \pm 1% pulldown resistor between the inverting input and ground. These bias resistors, along with the 100 Ω \pm 1% tolerance termination resistor, provide +15mV of differential input.

Unused LVDS Data Inputs

At each unused LVDS data input, pull the inverting input up to V_{CC} using a 10k Ω resistor, and pull the noninverting input down to ground using a 10k Ω resistor. Do not connect a termination resistor. The pullup and pulldown resistors drive the corresponding outputs low and prevent switching due to noise.

PWRDWN

Driving PWRDWN low puts the outputs in high impedance, stops the PLL, and reduces supply current to 50 μ A or less. Driving PWRDWN high drives the outputs low until the PLL locks. The outputs of two deserializers can be bused to form a 2:1 mux with the outputs controlled by PWRDWN. Wait 100ns between disabling one deserializer (driving PWRDWN low) and enabling the second one (driving PWRDWN high) to avoid contention of the bused outputs.

Input Clock and PLL Lock Time

There is no required timing sequence for the application or reapplication of the parallel rate clock (RxCLK IN) relative to PWRDWN, or to a power-supply ramp for proper PLL lock. The PLL lock time is set by an internal counter. The maximum time to lock is 32,800 clock periods. Power and clock should be stable to meet the lock-time specification. When the PLL is locking, the outputs are low.

Power-Supply Bypassing

There are separate on-chip power domains for digital circuits, outputs, PLL, and LVDS inputs. Bypass each V_{CC} , V_{CCO} , PLL V_{CC} , and LVDS V_{CC} pin with high-frequency, surface-mount ceramic 0.1 μ F and 0.001 μ F capacitors in parallel as close to the device as possible, with the smallest value capacitor closest to the supply pin.

Cables and Connectors

Interconnect for LVDS typically has a differential impedance of 100 Ω . Use cables and connectors that have matched differential impedance to minimize impedance discontinuities.

Twisted-pair and shielded twisted-pair cables offer superior signal quality compared to ribbon cable and tend to generate less EMI due to magnetic field canceling effects. Balanced cables pick up noise as common mode, which is rejected by the LVDS receiver.

MAX9234/MAX9236/MAX9238

Hot-Swappable, 21-Bit, DC-Balanced LVDS Deserializers

Board Layout

Keep the LVTTTL/LVCMOS outputs and LVDS input signals separated to prevent crosstalk. A four-layer PC board with separate layers for power, ground, LVDS inputs, and digital signals is recommended.

ESD Protection

The MAX9234/MAX9236/MAX9238 ESD tolerance is rated for IEC 61000-4-2 Human Body Model and ISO 10605 standards. IEC 61000-4-2 and ISO 10605 specify ESD tolerance for electronic systems. The Human Body Model discharge components are $C_S = 100\text{pF}$ and $R_D = 1.5\text{k}\Omega$ (Figure 12). For the Human Body Model, all pins are rated for $\pm 5\text{kV}$ contact discharge. The ISO 10605 discharge components are $C_S = 330\text{pF}$ and $R_D = 2\text{k}\Omega$ (Figure 13). For ISO 10605, the LVDS outputs are rated for $\pm 8\text{kV}$ contact and $\pm 25\text{kV}$ air discharge. The IEC 61000-4-2 discharge components are $C_S = 150\text{pF}$ and $R_D = 330\Omega$ (Figure 14). For IEC 61000-4-2, the LVDS inputs are rated for $\pm 8\text{kV}$ Contact Discharge and $\pm 15\text{kV}$ Air-Gap Discharge.

5V Tolerant Input

PWRDWN is 5V tolerant and is internally pulled down to GND.

Skew Margin (RSKM)

Skew margin (RSKM) is the time allowed for degradation of the serial data sampling setup and hold times by sources other than the deserializer. The deserializer sampling uncertainty is accounted for and does not need to be subtracted from RSKM. The main outside contributors of jitter and skew that subtract from RSKM are interconnect intersymbol interference, serializer pulse position uncertainty, and pair-to-pair path skew.

V_{CCO} Output Supply and Power Dissipation

The outputs have a separate supply (V_{CCO}) for interfacing to systems with 1.8V to 5V nominal input-logic levels. The *DC Electrical Characteristics* table gives the maximum supply current for $V_{CCO} = 3.6\text{V}$ with 8pF load at several switching frequencies with all outputs switching in the worst-case switching pattern. The approximate incremental supply current for V_{CCO} other than 3.6V with the same 8pF load and worst-case pattern can be calculated using:

$$I_I = C_T V_I 0.5f_C \times 21 \text{ (data outputs)} \\ + C_T V_I f_C \times 1 \text{ (clock output)}$$

where:

I_I = incremental supply current.

C_T = total internal (C_{INT}) and external (C_L) load capacitance.

V_I = incremental supply voltage.

f_C = output clock-switching frequency.

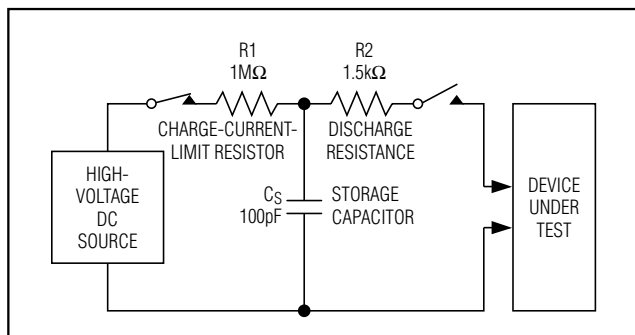


Figure 12. Human Body ESD Test Circuit

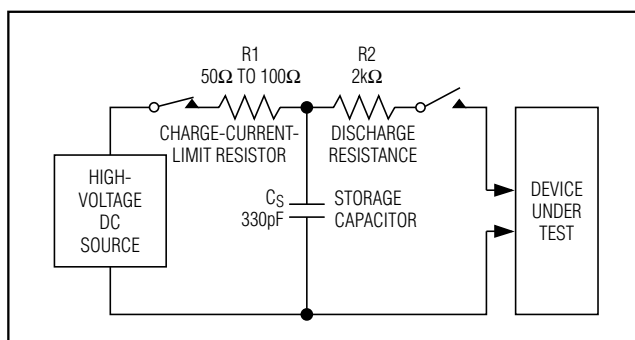


Figure 13. ISO 10605 Contact Discharge ESD Test Circuit

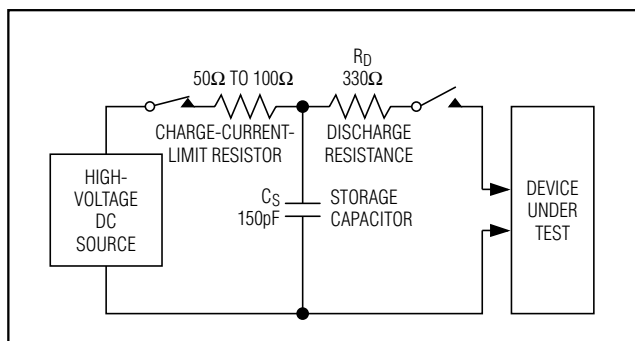


Figure 14. IEC 61000-4-2 Contact Discharge ESD Test Circuit

The incremental current is added to (for $V_{CCO} > 3.6\text{V}$) or subtracted from (for $V_{CCO} < 3.6\text{V}$) the *DC Electrical Characteristics* table maximum supply current. The internal output buffer capacitance is $C_{INT} = 6\text{pF}$. The worst-case pattern-switching frequency of the data outputs is half the switching frequency of the output clock.

In the following example, the incremental supply current is calculated for $V_{CCO} = 5.5\text{V}$, $f_C = 34\text{MHz}$, and $C_L = 8\text{pF}$:

$$V_I = 5.5\text{V} - 3.6\text{V} = 1.9\text{V}$$

$$C_T = C_{INT} + C_L = 6\text{pF} + 8\text{pF} = 14\text{pF}$$

MAX9234/MAX9236/MAX9238

Hot-Swappable, 21-Bit, DC-Balanced LVDS Deserializers

where:

$$I_I = C_T V_I 0.5 F_C \times 21 \text{ (data outputs)} + C_T V_I f_C \times 1 \text{ (clock output)}$$

$$I_I = (14\text{pF} \times 1.9\text{V} \times 0.5 \times 34\text{MHz} \times 21) + (14\text{pF} \times 1.9\text{V} \times 34\text{MHz})$$

$$I_I = 9.5\text{mA} + 0.9\text{mA} = 10.4\text{mA}$$

The maximum supply current in DC-balanced mode for $V_{CC} = V_{CCO} = 3.6\text{V}$ at $f_C = 34\text{MHz}$ is 106mA (from the *DC Electrical Characteristics* table). Add 10.4mA to get the total approximate maximum supply current at $V_{CCO} = 5.5\text{V}$ and $V_{CC} = 3.6\text{V}$.

If the output supply voltage is less than $V_{CCO} = 3.6\text{V}$, the reduced supply current can be calculated using the same formula and method.

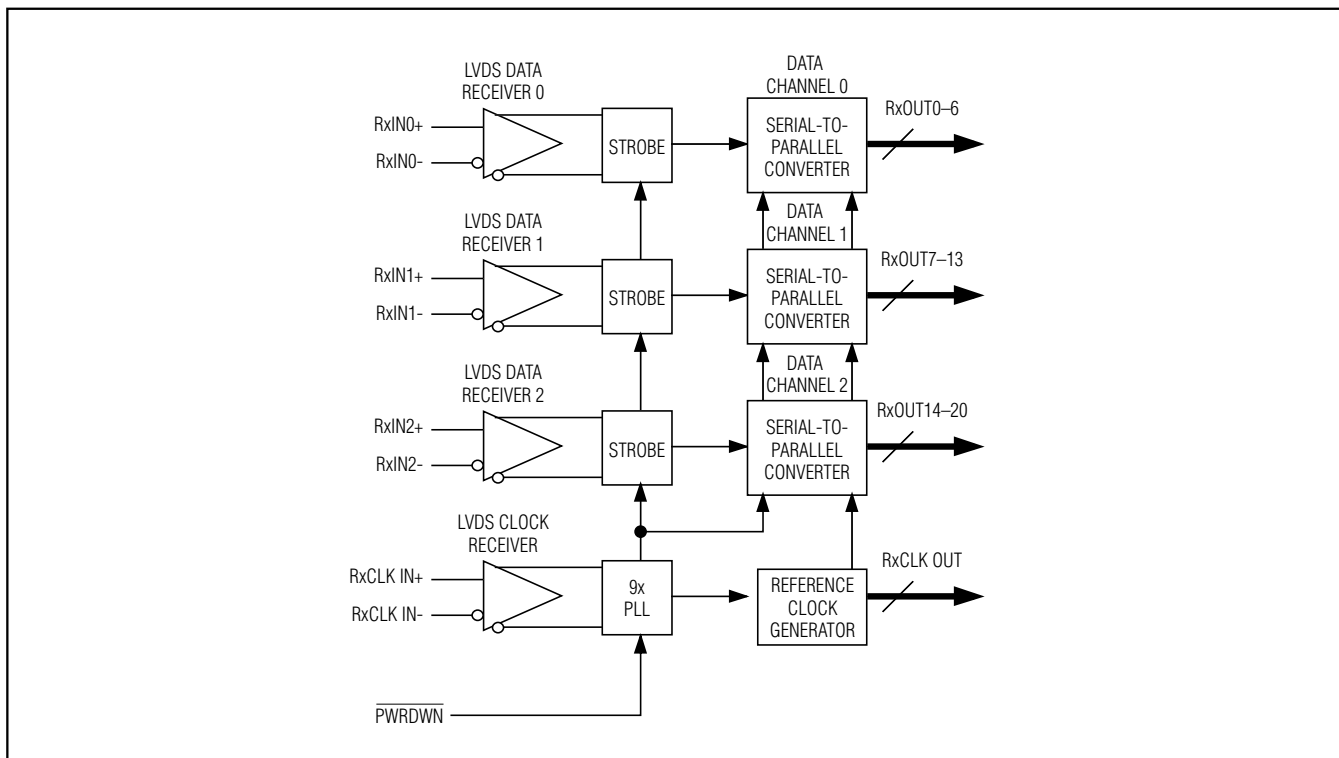
At high switching frequency, high supply voltage, and high capacitive loading, power dissipation can exceed

the package power-dissipation rating. Do not exceed the maximum package power-dissipation rating. See the *Absolute Maximum Ratings* for maximum package power-dissipation capacity and temperature derating.

Rising- or Falling-Edge Output Strobe

The MAX9234 has a rising-edge output strobe, which latches the parallel output data into the next chip on the rising edge of RxCLK OUT. The MAX9236/MAX9238 have a falling-edge output strobe, which latches the parallel output data into the next chip on the falling edge of RxCLK OUT. The deserializer output strobe polarity does not need to match the serializer input strobe polarity. A deserializer with rising- or falling-edge output strobe can be driven by a serializer with a rising-edge input strobe.

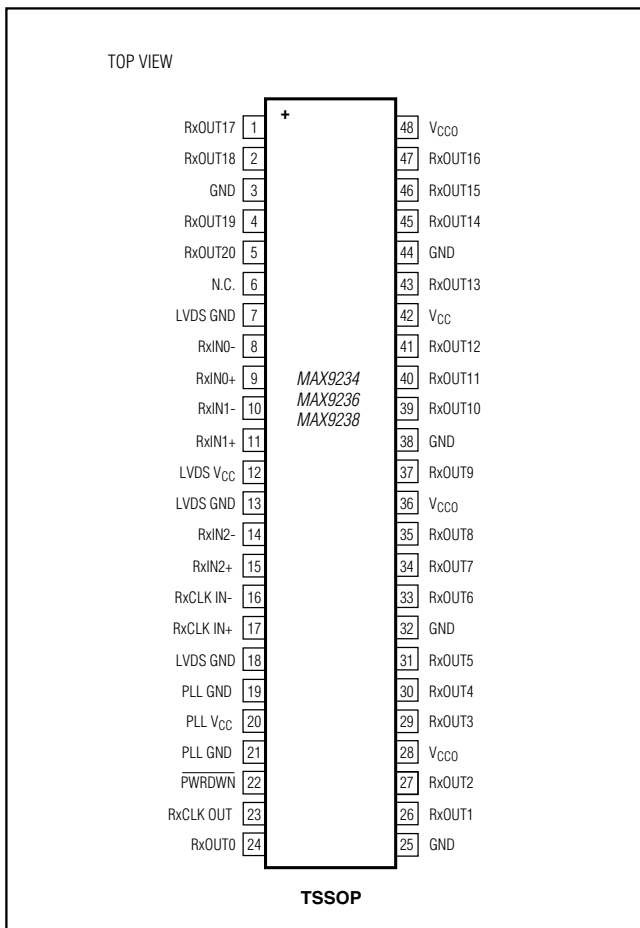
Functional Diagram



MAX9234/MAX9236/MAX9238

Hot-Swappable, 21-Bit, DC-Balanced LVDS Deserializers

Pin Configuration



Chip Information

PROCESS: CMOS

Package Information

For the latest package outline information and land patterns (footprints), go to www.maximintegrated.com/packages. Note that a "+", "#", or "-" in the package code indicates RoHS status only. Package drawings may show a different suffix character, but the drawing pertains to the package regardless of RoHS status.

PACKAGE TYPE	PACKAGE CODE	OUTLINE NO.	LAND PATTERN NO.
48 TSSOP	U48+1	21-0155	90-0124

MAX9234/MAX9236/MAX9238

Hot-Swappable, 21-Bit, DC-Balanced LVDS Deserializers

Revision History

REVISION NUMBER	REVISION DATE	DESCRIPTION	PAGES CHANGED
0	4/05	Initial release	—
1	10/07	Added IEC 61000-4-2 ESD Performance; various style changes	1, 2, 4, 5, 6, 12
2	9/12	Added the MAX9234EUM/V+ to <i>Ordering Information</i>	1



Maxim Integrated cannot assume responsibility for use of any circuitry other than circuitry entirely embodied in a Maxim Integrated product. No circuit patent licenses are implied. Maxim Integrated reserves the right to change the circuitry and specifications without notice at any time. The parametric values (min and max limits) shown in the Electrical Characteristics table are guaranteed. Other parametric values quoted in this data sheet are provided for guidance.

Maxim Integrated 160 Rio Robles, San Jose, CA 95134 USA 1-408-601-1000

15