

# MAX8513/MAX8514 Wide-Input, High-Frequency Triple-Output Supplies with Voltage Monitor and Power-On Reset

## General Description

The MAX8513/MAX8514 integrate a voltage-mode PWM step-down DC-DC controller and two LDO controllers, a voltage monitor, and a power-on reset for the lowest-cost power-supply and monitoring solution for xDSL modems, routers, gateways, and set-top boxes.

The DC-DC controller switching frequency can be set with an external resistor from 300kHz to 1.4MHz, to allow for the optimization of cost, size, and efficiency. For noise-sensitive applications, the DC-DC controller can also be synchronized to an external clock, minimizing noise interference. Operation above 1.1MHz reduces noise for high data-rate xDSL applications. An adjustable soft-start and adjustable foldback current limit provide reliable startup and fault protection. The DC-DC controller output voltage can be set externally to a voltage from 1.25V to 5.5V. Current limiting is accomplished by inductor current sensing for improved efficiency, or by an external sense resistor for better accuracy.

The MAX8513/MAX8514s' first LDO controller is designed to provide a low-cost, high-current regulated output from 0.8V to 5.5V using an N-channel MOSFET or a low-current output using a low-cost NPN transistor. The MAX8513's second regulator can be used to generate 0.8V to 27V output with a low-cost PNP transistor. Both LDO regulators can operate either from the DC-DC controller output or from a higher voltage derived with a fly-back overwinding on the DC-DC converter inductor. The MAX8514's second LDO regulator is designed to provide a negative output with an NPN transistor.

A sequence input allows the outputs to either power up together, or for the DC-DC regulator to power up first and each LDO controller to power up in sequence. An input power-fail output (PFO) is provided for input power-fail warning, such as in dying-gasp applications. A power-on reset circuit with a 140ms delay is also included to indicate when all outputs have achieved regulation and stabilized.

## Applications

- xDSL, Cable, ISDN Modems, and Routers
- Wireless Routers
- Set-Top Boxes

*Pin Configurations appear at end of data sheet.*

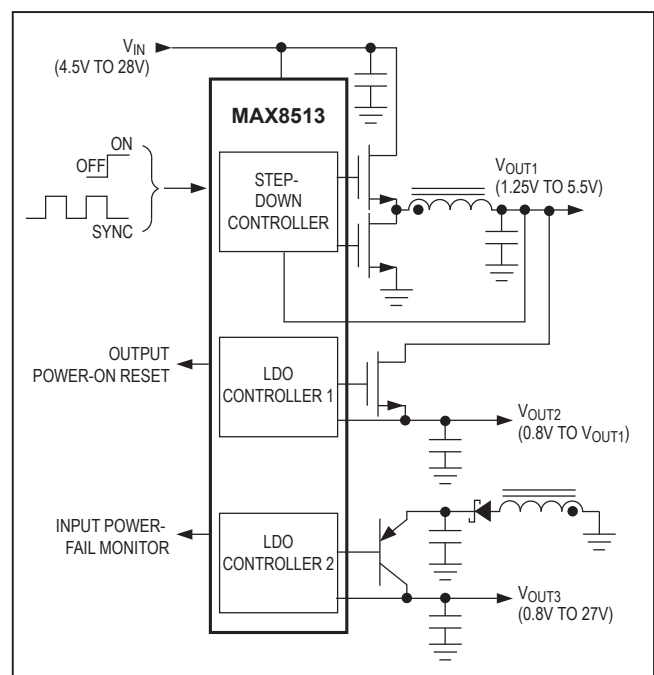
## Features

- Low-Cost DC-DC Controller with Two LDOs
- Wide Input Range: 4.5V to 28V
- 300kHz to 1.4MHz Adjustable Switching Frequency
- Low Noise for High Data-Rate xDSL Applications
- Synchronizable to External Clock
- Adjustable Soft-Start
- Lossless Adjustable Foldback Current Limit
- Power-On Reset with 140ms Delay
- Adjustable Input Power-Fail Warning for Dying Gasp
- Selectable Output-Voltage Sequencing or Output-Voltage Tracking

## Ordering Information

PART	TEMP RANGE	PIN-PACKAGE
MAX8513EEI	-40°C to +85°C	28 QSOP
MAX8514EEI	-40°C to +85°C	28 QSOP
MAX8514AEI	-40°C to +125°C	28 QSOP

## Functional Diagram



**Absolute Maximum Ratings**

IN, DRV3P, SUP2 to GND.....	-0.3V to +30V	DH to LX.....	-0.3V to (V <sub>BST</sub> + 0.3V)
DRV2 to GND.....	-0.3V to (V <sub>SUP2</sub> + 0.3V)	PGND to GND.....	-0.3V to +0.3V
DRV3N to GND.....	(V <sub>SUP3N</sub> - 28V) to (V <sub>SUP3N</sub> + 0.3V)	VL Short Circuit to GND.....	Continuous
FREQ, PFI, PFO, POR, SUP3N, SYNC/EN, CSP, CSN to GND.....	-0.3V to +6V	Continuous Power Dissipation	
VL to GND.....	-0.3V to the lesser of (V <sub>IN</sub> + 0.3V) or +6V	28-Pin QSOP (derate 10.8mW/°C above +70°C).....	860mW
COMP1, FB1, FB2, FB3P, FB3N, REF, ILIM, SS, SEQ to GND.....	-0.3V to (V <sub>VL</sub> + 0.3V)	Operating Temperature Range	
PVL to PGND.....	-0.3V to +6V	MAX8513EEI, MAX8514EEI.....	-40°C to +85°C
DL to PGND.....	-0.3V to (V <sub>PVL</sub> + 0.3V)	MAX8514AEI.....	-40°C to +125°C
BST to LX.....	-0.3V to +6V	Junction Temperature.....	+150°C
		Storage Temperature Range.....	-65°C to +150°C
		Lead Temperature (soldering, 10s).....	+300°C

Stresses beyond those listed under "Absolute Maximum Ratings" may cause permanent damage to the device. These are stress ratings only, and functional operation of the device at these or any other conditions beyond those indicated in the operational sections of the specifications is not implied. Exposure to absolute maximum rating conditions for extended periods may affect device reliability.

**Electrical Characteristics**

(V<sub>IN</sub> = V<sub>LX</sub> = V<sub>SUP2</sub> = 12V, V<sub>PVL</sub> = V<sub>BST</sub> - V<sub>LX</sub> = V<sub>DRV3P</sub> = 5V, V<sub>SUP3N</sub> = 3.3V, V<sub>DRV3N</sub> = -5V, C<sub>VL</sub> = 4.7µF, C<sub>REF</sub> = 0.22µF, R<sub>FREQ</sub> = 15.0kΩ, T<sub>A</sub> = 0°C to +85°C, unless otherwise noted. Typical values are at T<sub>A</sub> = +25°C.)

PARAMETER	SYMBOL	CONDITIONS	MIN	TYP	MAX	UNITS
<b>GENERAL</b>						
IN Operating Range			5.5		28.0	V
		IN = VL	4.5		5.5	
IN Supply Current		V <sub>FB1</sub> = 1.3V, V <sub>FB2</sub> = V <sub>FB3</sub> = 1.0V, does not include switching current to PVL and BST, SYNC/EN = VL		2.6	3.2	mA
IN Shutdown Current		V <sub>SYNC/EN</sub> = 0, R <sub>FREQ</sub> = 50kΩ		200	300	µA
<b>VL REGULATOR</b>						
VL Output Voltage		V <sub>IN</sub> = 6V to 28V, I <sub>VL</sub> = 0.1mA to 40mA	4.75	5	5.25	V
VL Dropout Voltage		From IN to VL, V <sub>IN</sub> = 5V, I <sub>VL</sub> = 40mA			560	mV
VL Line Regulation		V <sub>IN</sub> = 6V to 28V, I <sub>VL</sub> = 5mA		0.05		%
VL Undervoltage Threshold		VL rising, V <sub>HYST</sub> = 675mV (typ)	3.6		4.2	V
<b>OUT1 (BUCK CONVERTER)</b>						
Output Voltage Range	V <sub>OUT1</sub>	(Note 1)	1.25		5.50	V
FB1 Regulation Threshold	V <sub>FB1</sub>		1.234	1.25	1.259	V
Error-Amplifier Open-Loop Voltage Gain	A <sub>VOL</sub>		65	90		dB
FB1 Input Bias Current	I <sub>FB1_BIAS</sub>	V <sub>FB1</sub> = 1.3V	-200	+10	+200	nA
Error-Amplifier Gain Bandwidth				25		MHz
DH Output-Resistance High	R <sub>DH_HIGH</sub>			1.5	2.55	Ω
DH Output-Resistance Low	R <sub>DH_LOW</sub>			1.2	2.1	Ω
DL Output-Resistance High	R <sub>DL_HIGH</sub>			2.5	5	Ω
DL Output-Resistance Low	R <sub>DL_LOW</sub>			0.7	1.3	Ω
Driver Dead Time	t <sub>dt</sub>	Starts from V <sub>DL</sub> = 1V or (V <sub>DH</sub> - V <sub>LX</sub> ) = 1V		50		ns

## Electrical Characteristics (continued)

( $V_{IN} = V_{LX} = V_{SUP2} = 12V$ ,  $V_{PVL} = V_{BST} - V_{LX} = V_{DRV3P} = 5V$ ,  $V_{SUP3N} = 3.3V$ ,  $V_{DRV3N} = -5V$ ,  $C_{VL} = 4.7\mu F$ ,  $C_{REF} = 0.22\mu F$ ,  $R_{FREQ} = 15.0k\Omega$ ,  $T_A = 0^\circ C$  to  $+85^\circ C$ , unless otherwise noted. Typical values are at  $T_A = +25^\circ C$ .)

PARAMETER	SYMBOL	CONDITIONS	MIN	TYP	MAX	UNITS
Current-Limit Threshold (Positive)	$V_{CS}$	$V_{ILIM} = 2.00V$ , $V_{CSN} = 0$ to $5.5V$	246	275	300	mV
		$V_{ILIM} = 0.50V$ , $V_{CSN} = 0$ to $5.5V$	50	67	81	
		$V_{ILIM} = V_{VL}$ , $V_{CSN} = 0$ to $5.5V$	151	170	188	
Current-Limit Threshold (Negative)	$V_{CS}$	$V_{ILIM} = 2.00V$ , $V_{CSN} = 0$ to $5.5V$	-333	-272	-199	mV
		$V_{ILIM} = 0.50V$ , $V_{CSN} = 0$ to $5.5V$	-90	-67	-42	
		$V_{ILIM} = V_{VL}$ , $V_{CSN} = 0$ to $5.5V$	-210	-166	-122	
CSP and CSN Bias Current		$V_{CSP} = V_{CSN} = 0$ to $5.5V$	-120		+135	$\mu A$
ILIM Bias Current		$V_{ILIM} = 1.25V$	-5.3	-5	-4.7	$\mu A$
SS Soft-Start Charge Current		$V_{SS} = 0.6V$	15	25	35	$\mu A$
Soft-Start Discharge Resistance				100	200	$\Omega$
LX, BST, PVL Leakage Current		$V_{LX} = V_{IN} = 28V$ , $V_{BST} = 33V$ , $V_{PVL} = 5V$ , $V_{SYNC/EN} = 0$		0.03	20	$\mu A$
FB1 Power-On Reset Threshold			1.08	1.125	1.20	V
<b>OUT2 (POSITIVE LDO)</b>						
SUP2 Operating Range	$V_{SUP2}$	(Note 1)	4.5		28.0	V
DRV2 Clamp Voltage	$V_{DRV2}$	$V_{FB2} = 0.75V$	7.75		9.00	V
SUP2 Supply Current				160	300	$\mu A$
SUP2 Shutdown Supply Current		$V_{SYNC/EN} = 0$		3	10	$\mu A$
FB2 Regulation Voltage	$V_{FB2}$		0.784	0.80	0.808	V
FB2 Input Bias Current	$I_{FB2\_BIAS}$	$V_{FB2} = 0.75V$		0.01	100	nA
DRV2 Output Current Limit		$V_{IN} = 5V$ , $V_{DRV2} = 5V$ , $V_{FB2} = 0.77V$	15	30		mA
DRV2 Output Current Limit During Soft-Start		$V_{IN} = 6V$ , $V_{DRV2} = 5V$ , $V_{FB2} = 0.70V$	8	10	12	mA
FB2 Power-On Reset Threshold			0.690	0.720	0.742	V
FB2 to DRV2 Transconductance	$G_{C2}$	$I_{DRV2} = +250\mu A$ , $-250\mu A$	0.12	0.2	0.36	S
<b>OUT3P (POSITIVE PNP LDO) (MAX8513 ONLY)</b>						
DRV3P Operating Range	$V_{DRV3P}$		1		28	V
FB3P Regulation Voltage		$V_{DRV3P} = 5V$ , $I_{DRV3P} = 1mA$	0.790	0.803	0.816	V
FB3P to DRV3P Large-Signal Transconductance	$G_{C3P}$	$V_{DRV3P} = 5V$ , $I_{DRV3P} = 0.5mA$ to $5mA$	0.38	0.6	1.1	S
Feedback Input Bias Current		$V_{FB3P} = 0.75V$		0.01	100	nA
Driver Sink Current		$V_{FB3P} = 0.75V$	$DRV3P = 2.5V$	15	35	mA
			$DRV3P = 4.0V$		40	
FB3P POR Threshold			0.690	0.720	0.742	V
FB3P Soft-Start Period				1312		Clock Cycles

**Electrical Characteristics (continued)**

( $V_{IN} = V_{LX} = V_{SUP2} = 12V$ ,  $V_{PVL} = V_{BST} - V_{LX} = V_{DRV3P} = 5V$ ,  $V_{SUP3N} = 3.3V$ ,  $V_{DRV3N} = -5V$ ,  $C_{VL} = 4.7\mu F$ ,  $C_{REF} = 0.22\mu F$ ,  $R_{FREQ} = 15.0k\Omega$ ,  $T_A = 0^\circ C$  to  $+85^\circ C$ , unless otherwise noted. Typical values are at  $T_A = +25^\circ C$ .)

PARAMETER	SYMBOL	CONDITIONS	MIN	TYP	MAX	UNITS
<b>OUT3N (NEGATIVE NPN LDO CONTROLLER) (MAX8514 ONLY)</b>						
SUP3N Operating Range		(Note 1)	1.5		5.5	V
DRV3N Operating Range		(Note 1)	$V_{SUP3N} - 21V$		$V_{SUP3N} - 1.5V$	V
SUP3N Supply Current		$V_{DRV3N} = 1.5V$ , $V_{SUP3N} = 3.5V$ , $I_{DRV3N} = -1mA$ (source)		1.1	2	mA
FB3N Regulation Voltage		$V_{DRV3N} = 1.5V$ , $V_{SUP3N} = 3.5V$ , $I_{DRV3N} = -1mA$ (source)	-20	-5	+10	mV
FB3N to DRV3N Large-Signal Transconductance	$G_{C3N}$	$V_{DRV3N} = 0$ , $I_{DRV3N} = -0.5mA$ to $-5mA$ (source)	0.225	0.36	0.550	S
Feedback Input Bias Current		$V_{FB3N} = -100mV$		60	1000	nA
Driver Source Current		$V_{FB3N} = 200mV$ , $V_{DRV3N} = 0$ , $V_{SUP3N} = 3.5V$	13	25		mA
FB3N POR Threshold			450	500	550	mV
FB3N Soft-Start Period				2048		Clock Cycles
<b>REFERENCE</b>						
REF Output Voltage	$V_{REF}$	$-2\mu A < I_{REF} < +50\mu A$	1.231	1.25	1.269	V
<b>OSCILLATOR</b>						
Frequency	$f_s$	$R_{FREQ} = 10.7k\Omega \pm 1\%$ from FREQ to GND	1300	1390	1460	kHz
		$R_{FREQ} = 15.0k\Omega \pm 1\%$ from FREQ to GND	933	985	1040	
		$R_{FREQ} = 50.0k\Omega \pm 1\%$ from FREQ to GND	260	290	324	
FREQ Resistance-Frequency Product				15.0		MHz x k $\Omega$
Maximum Duty Cycle (Measured at DH Pin)		$R_{FREQ} = 10.7k\Omega \pm 1\%$ from FREQ to GND	77	83	91	%
		$R_{FREQ} = 15.0k\Omega \pm 1\%$ from FREQ to GND	80	87	95	
		$R_{FREQ} = 50.0k\Omega \pm 1\%$ from FREQ to GND	93	96	99	
Minimum On-Time (Measured at DH Pin)		$R_{FREQ} = 10.7k\Omega \pm 1\%$ from FREQ to GND		20	62	ns
SYNC/EN Pulse Width		Low or high (Note 1)	200			ns
SYNC/EN Frequency Range		SYNC/EN input frequency needs to be within $\pm 30\%$ of the value set at the FREQ pin (Note 1)	200		1850	kHz
SYNC/EN Input Voltage, High			2.4			V
SYNC/EN Input Voltage, Low					0.8	V
SYNC/EN Input Current		$V_{SYNC/EN} = 0$ to $5.5V$	-1		+1	$\mu A$

**Electrical Characteristics (continued)**

( $V_{IN} = V_{LX} = V_{SUP2} = 12V$ ,  $V_{PVL} = V_{BST} - V_{LX} = V_{DRV3P} = 5V$ ,  $V_{SUP3N} = 3.3V$ ,  $V_{DRV3N} = -5V$ ,  $C_{VL} = 4.7\mu F$ ,  $C_{REF} = 0.22\mu F$ ,  $R_{FREQ} = 15.0k\Omega$ ,  $T_A = 0^\circ C$  to  $+85^\circ C$ , unless otherwise noted. Typical values are at  $T_A = +25^\circ C$ .)

PARAMETER	SYMBOL	CONDITIONS	MIN	TYP	MAX	UNITS
<b>SEQ, PFI, <math>\overline{PFO}</math>, <math>\overline{POR}</math></b>						
SEQ Input-Voltage High			2.4			V
SEQ Input-Voltage Low					0.8	V
SEQ Input Current		$V_{SEQ} = 0$ to $V_{VL}$		1	10	$\mu A$
$\overline{POR}$ Output-Voltage Low		$V_{FB1}$ , $V_{FB2}$ , $V_{FB3P}$ , $V_{FB3N}$ , out-of-regulation	$I_{\overline{POR}} = 1.6mA$	10	200	mV
			$I_{\overline{POR}} = 0.1mA$ , $V_{IN} = 1.0V$	20	200	
$\overline{POR}$ Output Leakage Current		$V_{FB1}$ , $V_{FB2}$ , and $V_{FB3P}$ or $V_{FB3N}$ , in-regulation		0.001	1	$\mu A$
$\overline{POR}$ Power-Ready Delay Time		From $V_{FB1}$ , $V_{FB2}$ , and $V_{FB3P}$ or $V_{FB3N}$ , in-regulation to $\overline{POR} =$ high impedance	140	315	560	ms
PFI Input Threshold		Falling, $V_{HYST} = 20mV$	1.20	1.22	1.25	V
PFI Input Bias Current		$V_{PFI} = 1.0V$		0.1	100	nA
$\overline{PFO}$ Output-Voltage Low		PFI = 1.1V	$I_{\overline{PFO}} = 1.6mA$	20	200	mV
			$I_{\overline{PFO}} = 0.1mA$ , $V_{IN} = 1.0V$	10	200	
$\overline{PFO}$ Output Leakage Current		PFI = 1.4V, $\overline{PFO} = 5V$		0.001	1	$\mu A$
<b>THERMAL PROTECTION</b>						
Thermal Shutdown		Junction temperature rising		+170		$^\circ C$
Thermal-Shutdown Hysteresis				25		$^\circ C$

**Electrical Characteristics**

( $V_{IN} = V_{LX} = V_{SUP2} = 12V$ ,  $V_{PVL} = V_{BST} - V_{LX} = V_{DRV3P} = 5V$ ,  $V_{SUP3N} = 3.3V$ ,  $V_{DRV3N} = -5V$ ,  $C_{VL} = 4.7\mu F$ ,  $C_{REF} = 0.22\mu F$ ,  $R_{FREQ} = 15.0k\Omega$ ,  $T_A = -40^\circ C$  to  $+125^\circ C$  (Note 2), unless otherwise noted.)

PARAMETER	SYMBOL	CONDITIONS	MIN	MAX	UNITS
<b>GENERAL</b>					
IN Operating Range			5.5	28.0	V
		IN = VL	4.5	5.5	
IN Supply Current		$V_{FB1} = 1.3V$ , $V_{FB2} = V_{FB3} = 1.0V$ , does not include switching current to PVL and BST, SYNC/EN = VL		3.2	mA
IN Shutdown Current		$V_{SYNC/EN} = 0$ , $R_{FREQ} = 50k\Omega$		300	$\mu A$
<b>VL REGULATOR</b>					
VL Output Voltage		$V_{IN} = 6V$ to $28V$ , $I_{VL} = 0.1mA$ to $40mA$	4.75	5.25	V
VL Dropout Voltage		From IN to VL, $V_{IN} = 5V$ , $I_{VL} = 40mA$		610	mV
VL Undervoltage Threshold		VL rising, $V_{HYST} = 675mV$ (typ)	3.6	4.2	V

## Electrical Characteristics (continued)

( $V_{IN} = V_{LX} = V_{SUP2} = 12V$ ,  $V_{PVL} = V_{BST} - V_{LX} = V_{DRV3P} = 5V$ ,  $V_{SUP3N} = 3.3V$ ,  $V_{DRV3N} = -5V$ ,  $C_{VL} = 4.7\mu F$ ,  $C_{REF} = 0.22\mu F$ ,  $R_{FREQ} = 15.0k\Omega$ ,  $T_A = -40^\circ C$  to  $+125^\circ C$  (Note 2), unless otherwise noted.)

PARAMETER	SYMBOL	CONDITIONS	MIN	MAX	UNITS
<b>OUT1 (BUCK CONVERTER)</b>					
Output Voltage Range	$V_{OUT1}$	(Note 1)	1.25	5.50	V
FB1 Regulation Threshold	$V_{FB1}$		1.225	1.265	V
Error-Amplifier Open-Loop Voltage Gain	$A_{VOL}$		65		dB
FB1 Input Bias Current	$I_{FB1\_BIAS}$	$V_{FB1} = 1.3V$	-200	+200	nA
DH Output-Resistance High	$R_{DH\_HIGH}$			2.55	$\Omega$
DH Output-Resistance Low	$R_{DH\_LOW}$			2.1	$\Omega$
DL Output-Resistance High	$R_{DL\_HIGH}$			5	$\Omega$
DL Output-Resistance Low	$R_{DL\_LOW}$			1.3	$\Omega$
Current-Limit Threshold (pos)	$V_{CS}$	$V_{ILIM} = 2.00V$ , $V_{CSN} = 0$ to $5.5V$	243	303	mV
		$V_{ILIM} = 0.50V$ , $V_{CSN} = 0$ to $5.5V$	49	83	
		$V_{ILIM} = V_{VL}$ , $V_{CSN} = 0$ to $5.5V$	147	190	
Current-Limit Threshold (neg)	$V_{CS}$	$V_{ILIM} = 2.00V$ , $V_{CSN} = 0$ to $5.5V$	-333	-199	mV
		$V_{ILIM} = 0.50V$ , $V_{CSN} = 0$ to $5.5V$	-90	-42	
		$V_{ILIM} = V_{VL}$ , $V_{CSN} = 0$ to $5.5V$	-210	-122	
CSP and CSN Bias Current		$V_{CSP} = V_{CSN} = 0$ to $5.5V$	-120	+135	$\mu A$
ILIM Bias Current		$V_{ILIM} = 1.25V$	-5.7	-4.3	$\mu A$
SS Soft-Start Charge Current		$V_{SS} = 0.6V$	15	35	$\mu A$
Soft-Start Discharge Resistance				200	$\Omega$
LX, BST, PVL Leakage Current		$V_{LX} = V_{IN} = 28V$ , $V_{BST} = 33V$ , $V_{PVL} = 5V$ , $V_{SYNC/EN} = 0$		20	$\mu A$
FB1 Power-On Reset Threshold			1.08	1.20	V
<b>OUT2 (POSITIVE LDO)</b>					
SUP2 Operating Range	$V_{SUP2}$	(Note 1)	4.5	28.0	V
DRV2 Clamp Voltage	$V_{DRV2}$	$V_{FB2} = 0.75V$	7.75	9.00	V
SUP2 Supply Current				300	$\mu A$
SUP2 Shutdown Supply Current		$V_{SYNC/EN} = 0$		10	$\mu A$
FB2 Regulation Voltage	$V_{FB2}$		0.775	0.816	V
FB2 Input Bias Current	$I_{FB2\_BIAS}$	$V_{FB2} = 0.75V$		150	nA
DRV2 Output Current Limit		$V_{IN} = 5V$ , $V_{DRV2} = 5V$ , $V_{FB2} = 0.77V$	12		mA
DRV2 Output Current Limit During Soft-Start		$V_{IN} = 6V$ , $V_{DRV2} = 5V$ , $V_{FB2} = 0.70V$	8	12	mA
FB2 Power-On Reset Threshold			0.690	0.742	V
FB2 to DRV2 Transconductance	$G_{C2}$	$I_{DRV2} = +250\mu A$ , $-250\mu A$	0.11	0.41	S

## Electrical Characteristics (continued)

( $V_{IN} = V_{LX} = V_{SUP2} = 12V$ ,  $V_{PVL} = V_{BST} - V_{LX} = V_{DRV3P} = 5V$ ,  $V_{SUP3N} = 3.3V$ ,  $V_{DRV3N} = -5V$ ,  $C_{VL} = 4.7\mu F$ ,  $C_{REF} = 0.22\mu F$ ,  $R_{FREQ} = 15.0k\Omega$ ,  $T_A = -40^\circ C$  to  $+125^\circ C$  (Note 2), unless otherwise noted.)

PARAMETER	SYMBOL	CONDITIONS	MIN	MAX	UNITS
<b>OUT3P (POSITIVE PNP LDO) (MAX8513 ONLY)</b>					
DRV3P Operating Range	$V_{DRV3P}$		1	28	V
FB3P Regulation Voltage		$V_{DRV3P} = 5V$ , $I_{DRV3P} = 1mA$	0.780	0.820	V
FB3P to DRV3P Large-Signal Transconductance	$G_{C3P}$	$V_{DRV3P} = 5V$ , $I_{DRV3P} = 0.5mA$ to $5mA$	0.3	1.4	S
Feedback Input Bias Current		$V_{FB3P} = 0.75V$		100	nA
Driver Sink Current		$V_{FB3P} = 0.75V$ , $DRV3P = 2.5V$	15		mA
FB3P POR Threshold			0.690	0.742	V
<b>OUT3N (NEGATIVE NPN LDO CONTROLLER) (MAX8514 ONLY)</b>					
SUP3N Operating Range		(Note 1)	1.5	5.5	V
DRV3N Operating Range		(Note 1)	$V_{SUP3N}$ -21V	$V_{SUP3N}$ -15V	V
SUP3N Supply Current		$V_{DRV3N} = 1.5V$ , $V_{SUP3N} = 3.5V$ , $I_{DRV3N} = -1mA$ (source)		2	mA
FB3N Regulation Voltage		$V_{DRV3N} = 1.5V$ , $V_{SUP3N} = 3.5V$ , $I_{DRV3N} = -1mA$ (source)	-20	+10	mV
FB3N to DRV3N Large-Signal Transconductance	$G_{C3N}$	$V_{DRV3N} = 0$ , $I_{DRV3N} = -0.5mA$ to $-5mA$ (source)	0.225	0.550	S
Feedback Input Bias Current		$V_{FB3N} = -100mV$		1500	nA
Driver Source Current		$V_{FB3N} = 200mV$ , $V_{DRV3N} = 0$ , $V_{SUP3N} = 3.5V$	13		mA
FB3N POR Threshold			450	550	mV
<b>REFERENCE</b>					
REF Output Voltage	$V_{REF}$	$-2\mu A < I_{REF} < +50\mu A$	1.22	1.27	V
<b>OSCILLATOR</b>					
Frequency	$f_S$	$R_{FREQ} = 10.7k\Omega \pm 1\%$ from FREQ to GND	1300	1500	kHz
		$R_{FREQ} = 15.0k\Omega \pm 1\%$ from FREQ to GND	917	1070	
		$R_{FREQ} = 50.0k\Omega \pm 1\%$ from FREQ to GND	250	335	
Maximum Duty Cycle (Measured at DH Pin)		$R_{FREQ} = 10.7k\Omega \pm 1\%$ from FREQ to GND	77	91	%
		$R_{FREQ} = 15.0k\Omega \pm 1\%$ from FREQ to GND	80	95	
		$R_{FREQ} = 50.0k\Omega \pm 1\%$ from FREQ to GND	93	99	
Minimum On-Time (Measured at DH Pin)		$R_{FREQ} = 10.7k\Omega \pm 1\%$ from FREQ to GND		62	ns
SYNC/EN Pulse Width		Low or high (Note 1)	200		ns
SYNC/EN Frequency Range		SYNC/EN input frequency needs to be within $\pm 30\%$ of the value set at the FREQ pin (Note 1)	200	1850	kHz

**Electrical Characteristics (continued)**

( $V_{IN} = V_{LX} = V_{SUP2} = 12V$ ,  $V_{PVL} = V_{BST} - V_{LX} = V_{DRV3P} = 5V$ ,  $V_{SUP3N} = 3.3V$ ,  $V_{DRV3N} = -5V$ ,  $C_{VL} = 4.7\mu F$ ,  $C_{REF} = 0.22\mu F$ ,  $R_{FREQ} = 15.0k\Omega$ ,  $T_A = -40^\circ C$  to  $+125^\circ C$  (Note 2), unless otherwise noted.)

PARAMETER	SYMBOL	CONDITIONS	MIN	MAX	UNITS
SYNC/EN Input Voltage, High			2.4		V
SYNC/EN Input Voltage, Low				0.8	V
SYNC/EN Input Current		$V_{SYNC/EN} = 0$ to $5.5V$	-1	+1	$\mu A$
<b>SEQ, PFI, PFO, POR</b>					
SEQ Input Voltage, High			2.4		V
SEQ Input Voltage, Low				0.8	V
SEQ Input Current		$V_{SEQ} = 0$ to $V_{VL}$		10	$\mu A$
$\overline{POR}$ Output Voltage, Low		$V_{FB1}$ , $V_{FB2}$ , $V_{FB3P}$ , $V_{FB3N}$ out-of-regulation	$I_{\overline{POR}} = 1.6mA$	200	mV
			$I_{\overline{POR}} = 0.1mA$ , $V_{IN} = 1.0V$	200	mV
$\overline{POR}$ Output Leakage Current		$V_{FB1}$ , $V_{FB2}$ , and $V_{FB3P}$ or $V_{FB3N}$ , in- regulation		1	$\mu A$
$\overline{POR}$ Power-Ready Delay Time		From $V_{FB1}$ , $V_{FB2}$ , and $V_{FB3P}$ or $V_{FB3N}$ , in- regulation to $\overline{POR} =$ high impedance	140	560	ms
PFI Input Threshold		Falling, $V_{HYST} = 20mV$	1.20	1.25	V
PFI Input Bias Current		$V_{PFI} = 1.0V$		300	nA
$\overline{PFO}$ Output Voltage, Low		$PFI = 1.1V$	$I_{\overline{PFO}} = 1.6mA$	200	mV
			$I_{\overline{PFO}} = 0.1mA$ , $V_{IN} = 1.0V$	200	mV
$\overline{PFO}$ Output Leakage Current		$PFI = 1.4V$ , $\overline{PFO} = 5V$		1	$\mu A$

**Note 1:** Guaranteed by design, not production tested.

**Note 2:** Specifications to  $-40^\circ C$  are guaranteed by design, not production tested.



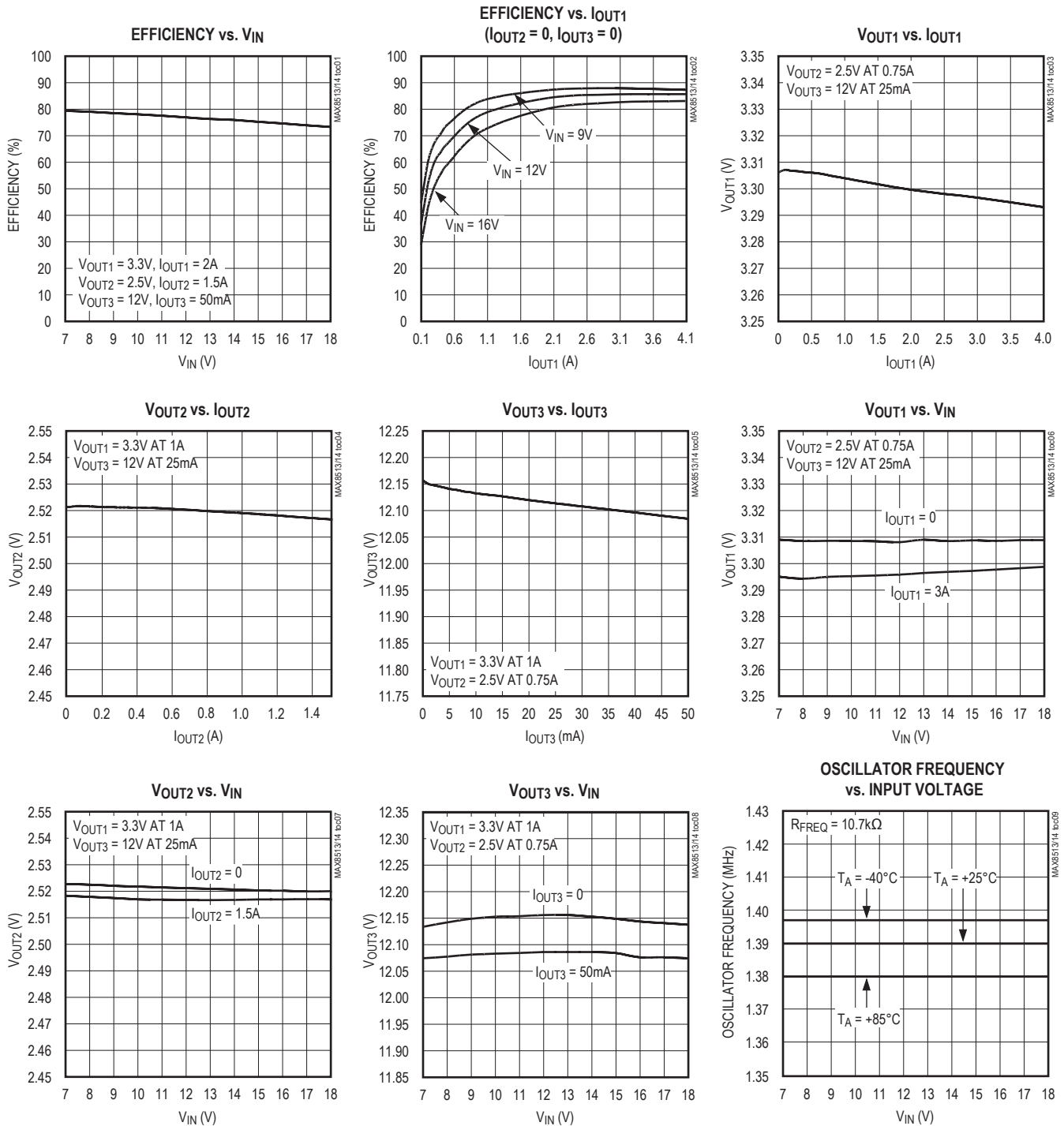
( $T_A = +25^\circ\text{C}$ , unless otherwise noted.)

# MAX8513/MAX8514

# Wide-Input, High-Frequency Triple-Output Supplies with Voltage Monitor and Power-On Reset

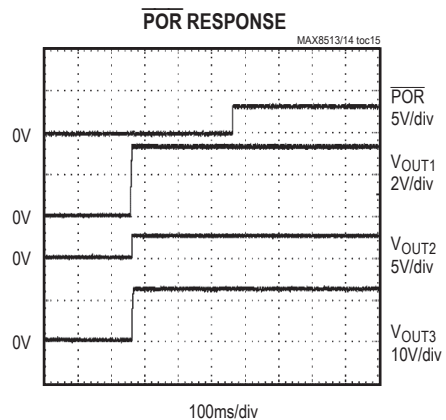
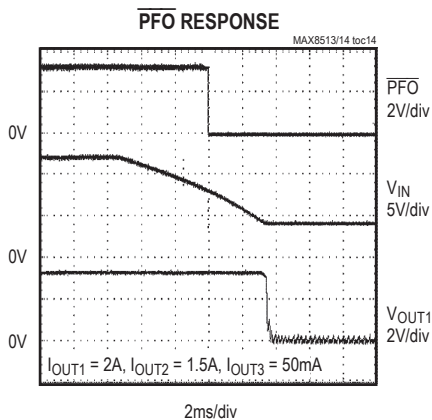
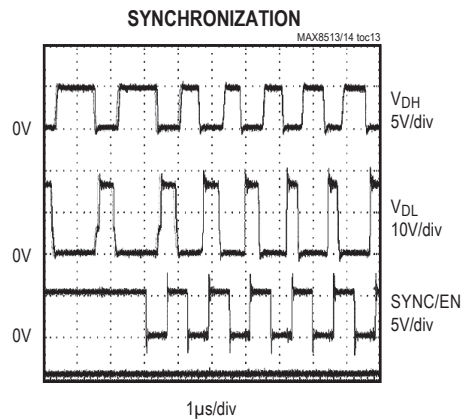
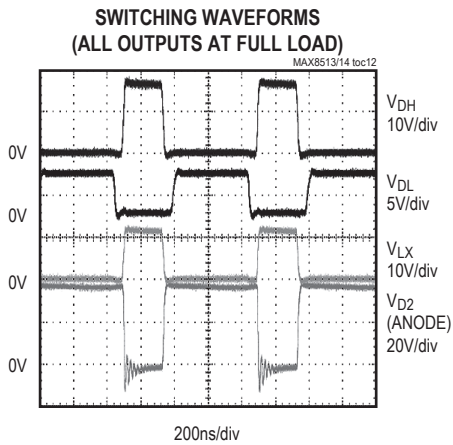
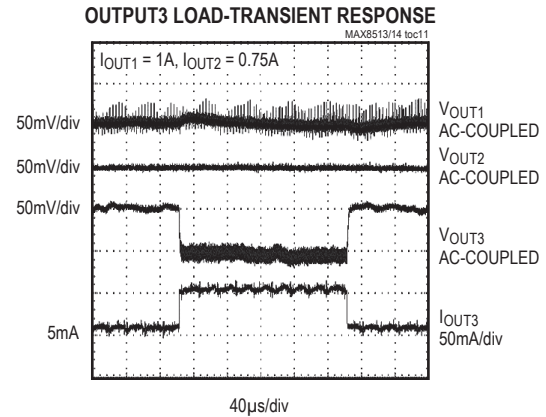
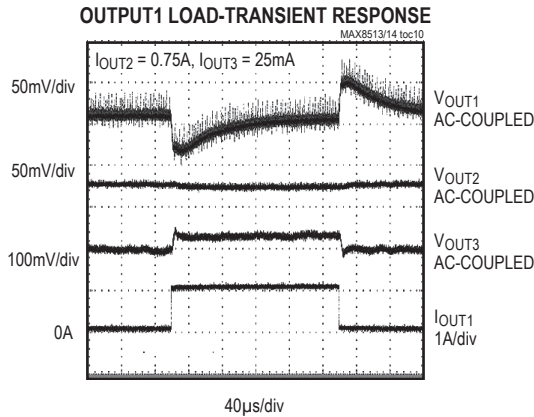
## Typical Operating Characteristics

(Circuit of MAX8513 evaluation kit,  $V_{IN} = 12\text{V}$ ,  $T_A = +25^\circ\text{C}$ ,  $f_S = 1.4\text{MHz}$ , unless otherwise noted.)



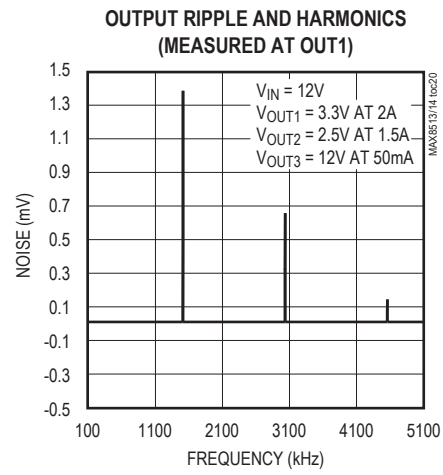
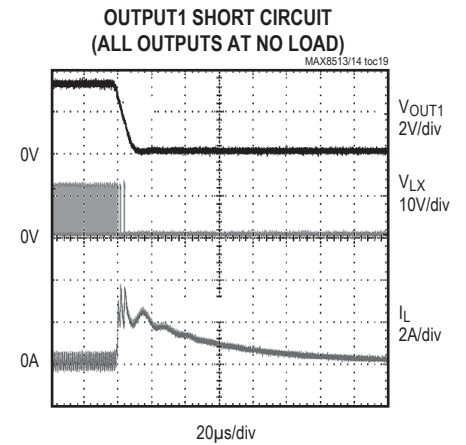
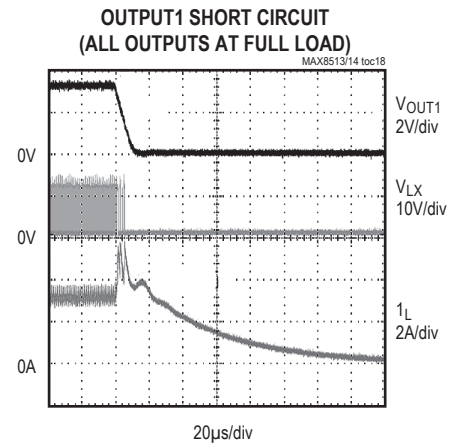
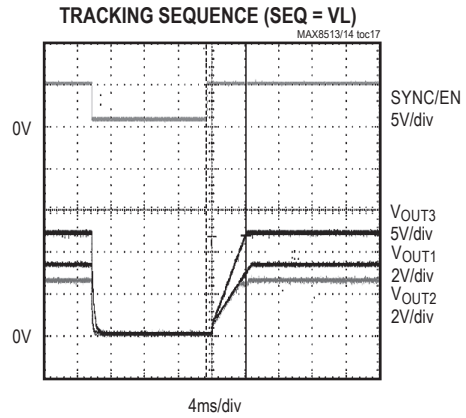
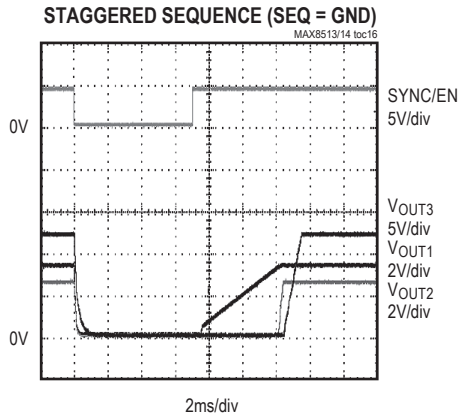
Typical Operating Characteristics (continued)

(Circuit of MAX8513 evaluation kit,  $V_{IN} = 12V$ ,  $T_A = +25^\circ C$ ,  $f_S = 1.4MHz$ , unless otherwise noted.)



Typical Operating Characteristics (continued)

(Circuit of MAX8513 evaluation kit,  $V_{IN} = 12V$ ,  $T_A = +25^{\circ}C$ ,  $f_S = 1.4MHz$ , unless otherwise noted.)



## Pin Description

PIN NAME	MAX8513	MAX8514	FUNCTION
PFI	1	1	Power-Fail Input. Connect PFI to an external resistive-divider between IN, PFI, and GND. PFI senses $V_{IN}$ to detect voltage failure. Trip falling threshold at this input is 1.22V, with 20mV of hysteresis.
$\overline{PFO}$	2	2	Power-Fail Output. Open-drain output that goes low if $V_{PFI} < 1.22V$ .
DH	3	3	OUT1 High-Side Gate-Drive Output. DH drives the high-side N-channel MOSFET (Q1 in the <i>Typical Applications Circuits</i> ). DH is a floating driver output that swings from LX to BST.
LX	4	4	OUT1 High-Side Driver Return Path. The high-side FET driver uses BST and LX for its respective high and low-side supplies.
BST	5	5	OUT1 Boost Capacitor Connection for High-Side Gate Drive. Connect a 0.1 $\mu$ F ceramic capacitor from BST to LX with a less than 5mm trace length.
DL	6	6	OUT1 Low-Side Gate-Drive Output. DL drives the low-side N-channel MOSFET (Q2 in the <i>Typical Applications Circuits</i> ). DL swings from 0 to $V_{PVL}$ .
PVL	7	7	OUT1 Gate-Drive Supply Bypass Connection. Connect PVL to VL through a 10 $\Omega$ resistor (R15), and bypass PVL to PGND with a minimum 1 $\mu$ F capacitor (C1).
PGND	8	8	Power-Ground Connection and Low-Side Supply for DI Driver
VL	9	9	Internal +5V Linear-Regulator Bypass Pin. Bypass VL to GND with a minimum 2.2 $\mu$ F ceramic capacitor (C10) and 5mm or less of trace length. VL should be connected to IN when $V_{IN} < 5.5V$ .
COMP1	10	10	OUT1 Compensation Node. See the <i>OUT1 Compensation</i> section.
FB1	11	11	OUT1 Feedback Input. Connect a resistive-divider (R1, R2) from OUT1 to FB1 to GND to regulate FB1 at 1.25V.
FREQ	12	12	Oscillator Frequency-Set Input. A resistor from FREQ to GND sets the oscillator frequency from 300kHz to 1.4MHz ( $f = 15MHz \times k\Omega / R_{FREQ}$ ). $R_{FREQ}$ is still required if an external clock is used at SYNC/EN, and the SYNC/EN input frequency should be within $\pm 30\%$ of the frequency set by $R_{FREQ}$ .
REF	13	13	1.25V Reference Output. Connect a 0.1 $\mu$ F or larger ceramic capacitor (C9) from REF to GND.
GND	14	14	Analog/Signal Ground
FB2	15	15	OUT2 Feedback Input. Connect a resistive-divider (R5, R6) from OUT2 to FB2 to GND to regulate FB2 to 0.8V.
DRV2	16	16	OUT2 Gate Drive. DRV2 connects to the gate of an external N-channel MOSFET to form a positive linear voltage regulator.
SUP2	17	17	Supply Input for DRV2. Connect to a voltage source of at least 1V above the maximum desired DRV2 gate voltage.

## Pin Description (continued)

PIN NAME	MAX8513	MAX8514	FUNCTION
SEQ	18	18	Connect to VL for output tracking. Connect to GND for output staggered sequence. Staggered sequence ramps up $V_{OUT2}$ and $V_{OUT3}$ softly to avoid glitches on the previous voltage due to charging of the LDO's output capacitors.
SYNC/EN	19	19	Shutdown Control and Synchronization Input. There are three operating modes: <ul style="list-style-type: none"> <li>When SYNC/EN is low, the controller is off but the VL regulator is still running.</li> <li>When SYNC/EN is high, the controller is enabled with the switching frequency set by <math>R_{FREQ}</math>.</li> <li>When SYNC/EN is driven by an external clock, the controller is enabled and switches at the external clock frequency.</li> </ul>
N.C.	20	—	No Connection. Not internally connected. Connect to GND or leave floating.
SUP3N	—	20	OUT3N Base-Drive Supply. Connect SUP3N to any positive voltage between 1.5V and 5.5V to provide power for the negative linear-regulator transistor driver.
DRV3P	21	—	OUT3P Base Drive. Connect DRV3P to the base of an external PNP pass transistor to form a positive linear voltage regulator.
DRV3N	—	21	OUT3N Base Drive. Connect DRV3N to the base of an external NPN pass transistor to form a negative linear voltage regulator.
IN	22	22	Main Voltage Input (4.5V to 28V). Bypass IN to GND, close to the IC, with a minimum 1 $\mu$ F ceramic capacitor (C2). IN powers the linear regulator whose output is VL.
$\overline{POR}$	23	23	Power-On Reset. Open-drain output that goes high after all outputs reach the regulation limit and a 315ms delay time has elapsed.
FB3P	24	—	OUT3P Feedback Input. FB3P is referenced to 0.8V and connects to a resistive-divider (R13, R14) to control a positive linear voltage regulator.
FB3N	—	24	OUT3N Feedback Input. Connect a resistive-divider (R13, R14) from OUT1 to FB3N to OUT3N to regulate FB3N to 0V.
ILIM	25	25	ILIM Set Input. Connect a resistive-divider (R17, R18) from OUT1 to ILIM to GND. See the <i>Current Limit</i> section.
CSP	26	26	Positive Current-Sense Input. Used to detect OUT1 current limit.
CSN	27	27	Negative Current-Sense Input. Used to detect OUT1 current limit.
SS	28	28	Analog Soft-Start Control Input. This pin goes into the positive input of the VOUT1's error amplifier. When the MAX8513/MAX8514 are turned on, SS is at GND and charges up to 1.25V with a constant 25 $\mu$ A. Connect a capacitor (C13) from SS to GND for the desired soft-start time.

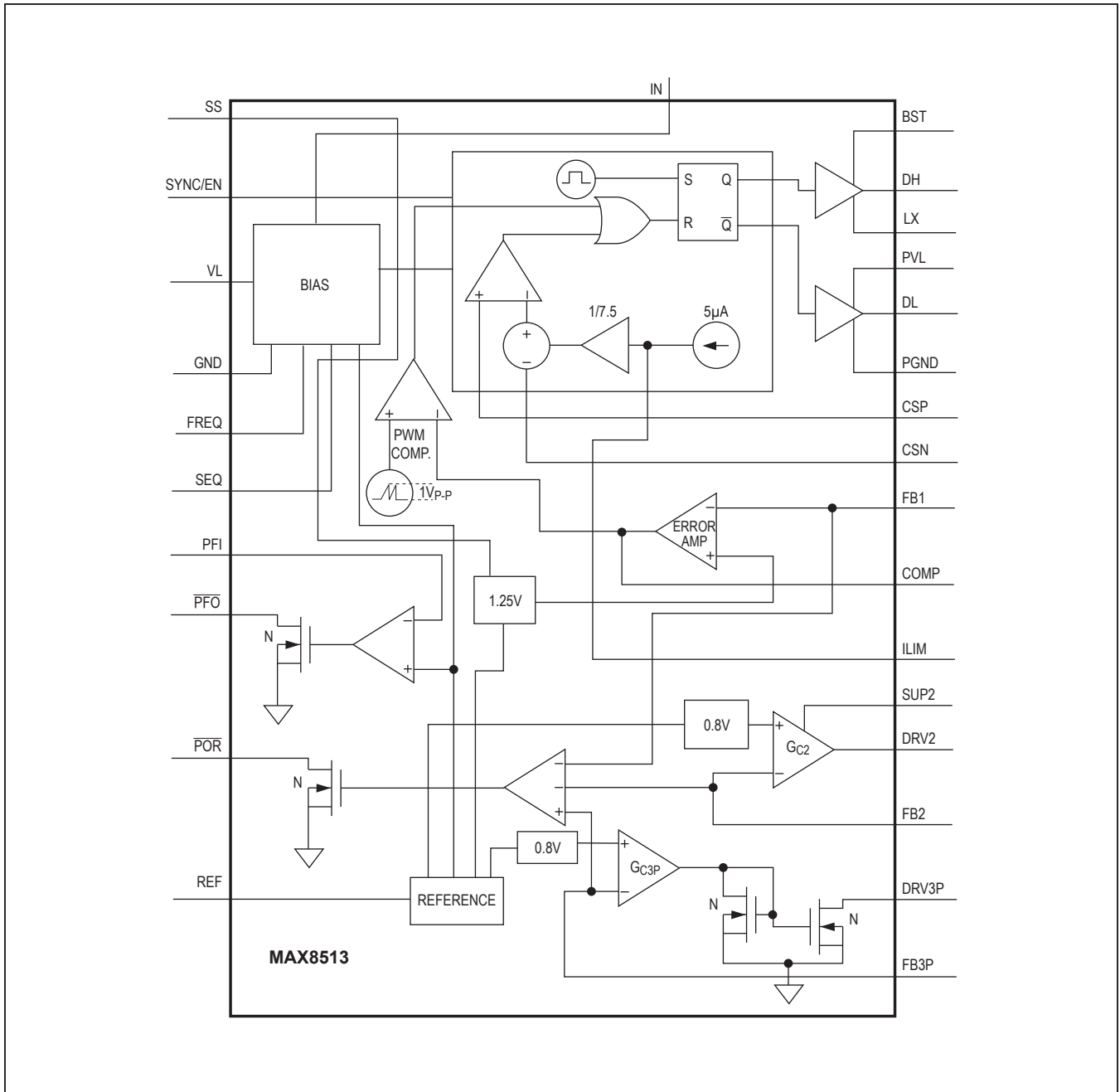


Figure 1. MAX8513 Functional Diagram

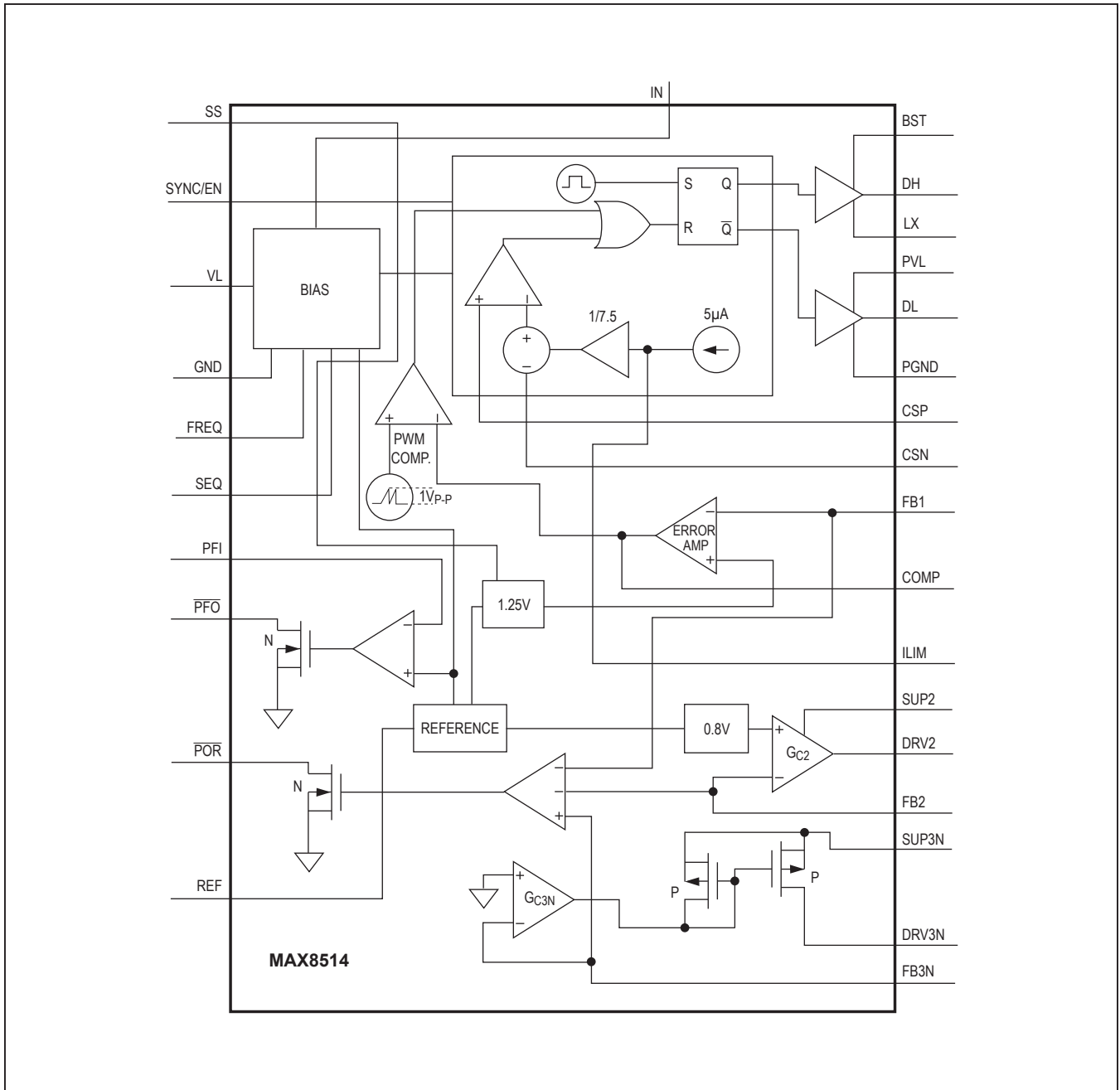


Figure 2. MAX8514 Functional Diagram

## Detailed Description

The MAX8513/MAX8514 combine a step-down DC-DC converter and two LDOs, providing three output voltages for xDSL modem and set-top box applications. The switching frequency is set with an external resistor connected from the **FREQ** pin to GND, and is adjustable from 300kHz to 1.4MHz. The main step-down DC-DC controller operates in a voltage-mode, pulse-width-modulation (PWM) control scheme. The MAX8513/MAX8514 include two low-cost LDO controllers capable of delivering current from the DC-DC main output, an extra winding, the input, or from an alternate supply voltage. The first LDO controller drives an external NMOS or NPN with a maximum drive of 7.75V. The second LDO controller provides either a positive 0.8V to 27V output using an external PNP pass device, or a negative -1V to -18V output with an external NPN pass device.

### DC-DC Controller

The MAX8513/MAX8514 step-down DC-DC converters use a PWM voltage-mode control scheme. An internal high-bandwidth (25MHz) operational amplifier is used as an error amplifier to regulate the output voltage. The output voltage is sensed and compared with an internal 1.25V reference to generate an error signal. The error signal is then compared with a fixed-frequency ramp by a PWM comparator to give the appropriate duty cycle to maintain output-voltage regulation. At the rising edge of the internal clock and when **DL** (the low-side MOSFET gate drive) is at 0V, the high-side MOSFET turns on. When the ramp voltage reaches the error-amplifier output voltage, the high-side MOSFET latches off until the next clock pulse. During the high-side MOSFET on-time, current flows from the input through the inductor to the output capacitor and load. At the moment the high-side MOSFET turns off, the energy stored in the inductor during the on-time is released to support the load. The inductor current ramps down through the low-side MOSFET body diode. After a fixed delay, the low-side MOSFET turns on to shunt the current from its body diode for a lower voltage drop to increase the efficiency. The low-side MOSFET turns off at the rising edge of the next clock pulse, and when its gate voltage discharges to zero, the high-side MOSFET turns on after an additional fixed delay and another cycle starts.

The MAX8513/MAX8514 operate in forced-PWM mode, so even under light load the controller maintains a constant switching frequency to minimize noise and possible interference with system circuitry.

### Current Limit

The MAX8513/MAX8514s' switching regulator senses the inductor current either through the DC resistance of the inductor itself for lossless sensing, or through a series resistor for more accurate sensing. When using the DC resistance of the inductor, an RC filter circuit is needed (see **R19**, **R20**, and **C14** of the *Typical Applications Circuits* and the *Current-Limit Setting* section). When peak voltage across the sensing circuit (which occurs at the peak of the inductor current) exceeds the current-limit threshold set by **ILIM**, the controller turns off the high-side MOSFET and turns on the low-side MOSFET. The inductor current ramps down and **DH** turns on again if the inductor current is below the current-limit threshold at the next clock pulse. The MAX8513/MAX8514 current-limit threshold can be set by two external resistors to be proportional to the output voltage with an adjustable offset level, providing foldback current-limit and short-circuit protection. This feature greatly reduces power dissipation and prevents overheating of external components during an indefinite short-circuit at the output. See the *Foldback Current Limit* section for how to set **ILIM** with external resistors. The current-limit threshold defaults to 170mV when **ILIM** is connected to **VL**, and in this case, the current limit functions as a constant current limit only. The LDO controllers do not have current limit and rely on input current limit for protection.

### Synchronous-Rectifier Driver (DL)

Synchronous rectification reduces the conduction loss in the rectifier by replacing the normal Schottky catch diode with a low-on-resistance MOSFET switch. The MAX8513/MAX8514 also use the synchronous rectifier to ensure proper startup of the boost gate-drive circuit.

### High-Side Gate-Drive Supply (BST)

A flying-capacitor boost circuit (see **D1** and **C3** in the *Typical Applications Circuits*) generates the gate-drive voltage for the high-side N-channel MOSFET. On startup, the synchronous rectifier (low-side MOSFET, **Q2**) forces **LX** to ground and charges the boost capacitor (**C3**) to  $V_{VL} - V_{DIODE}$ . On the second half-cycle, the controller turns on the high-side MOSFET by closing an internal switch between **BST** and **DH**. This boosts the voltage at **BST** to  $V_{VL} - V_{DIODE} + V_{IN}$ , providing the necessary gate-to-source voltage to turn on the high-side N-channel MOSFET.



### Internal 5V Linear Regulator

All MAX8513/MAX8514 functions (except for the positive output LDO with an NFET or NPN, and the negative LDO on the MAX8514) are powered from the on-chip low-drop-out 5V regulator with its input connected to IN. Bypass the regulator's output (VL) with a 2.2 $\mu$ F or greater ceramic capacitor. The  $V_{IN}$  to  $V_{VL}$  dropout voltage is typically 350mV, so when  $V_{IN}$  is greater than 5.5V,  $V_{VL}$  is typically 5V. If  $V_{IN}$  is between 4.5V and 5.5V, short VL to IN.

### Undervoltage Lockout

If  $V_{VL}$  drops below 3.8V, the MAX8513/MAX8514 assume that the supply voltage is too low to make valid decisions. When this happens, the undervoltage lockout (UVLO) circuitry inhibits switching, forces  $\overline{POR}$  and  $\overline{PFO}$  low, and forces DL and DH gate drivers low. After  $V_{VL}$  rises above 3.9V, the controller powers up the outputs (see the *Startup* section).

### Startup

The MAX8513/MAX8514 start switching when  $V_{VL}$  rises above the 3.9V UVLO threshold. However, the controller is not enabled unless all three of the following conditions are met:

- 1)  $V_{VL}$  exceeds the 3.9V UVLO threshold.
- 2) The internal reference exceeds 90% of its nominal value.
- 3) The thermal limit is not exceeded.

Once the MAX8513/MAX8514 assert the internal enable signal, the step-down controller starts switching and enables soft-start. The soft-start circuitry gradually ramps up to the reference voltage to control the rate-of-rise of the step-down controller and reduce input surge currents. The soft-start period is determined by the value of the capacitor from SS to GND (C13 in the *Typical Applications Circuits*). SS sources a constant 25 $\mu$ A to charge the soft-start capacitor to 1.25V.

### Output-Voltage Sequencing

The MAX8513/MAX8514 can power up in either staggered-output sequencing or output tracking. For staggered-output sequencing, connect SEQ to GND. In this configuration,  $V_{OUT1}$  comes up first. When it reaches 90% of the nominal regulated value,  $V_{OUT2}$  is softly turned on. Once  $V_{OUT2}$  reaches 90% of its nominal regulated value,  $V_{OUT3}$  is softly turned on. Individual soft-start

on OUT2 and OUT3 eliminates glitches on the previous stages due to the charging of output capacitors. See the *Typical Operating Characteristics* section for the startup and staggered-output-sequence waveforms.

### Output-Voltage Tracking

When SEQ is connected to VL, all outputs rise up at the same time and the external series pass transistors are driven fully on until reaching the respective regulation limits. Since the LDOs are powered from the main DC-DC step-down converter, either directly or through a coupled winding on the inductor, their outputs track the DC-DC step-down output (OUT1). See the *Typical Operating Characteristics* section for the startup output-tracking waveforms.

### Power-On Reset

The MAX8513/MAX8514 provide a power-on-reset ( $\overline{POR}$ ) signal, which goes high 315ms after all outputs reach 90% of their nominal regulated value. Therefore, by the time  $\overline{POR}$  goes high, all outputs are already stabilized at nominal regulated voltages. See the *Typical Operating Characteristics* section for the  $\overline{POR}$  waveforms.

### Input Power-Fail (PFI and PFO)

The MAX8513/MAX8514 have a built-in comparator to detect the input voltage with an external resistive divider at PFI, with a threshold of 1.22V. When the input voltage drops and trips this comparator, the power-fail output ( $\overline{PFO}$ ) goes low, while all outputs are still within regulation limits. This is typically used for input power-fail warning for orderly system shutdown. The amount of warning time depends on the input storage capacitor, the input PFI trip voltage level, the main step-down output voltage, the total output power, and the efficiency. See the *Design Procedure* section for how to calculate the input capacitor to meet the required warning time.

### Enable and Synchronization

The MAX8513/MAX8514 can be turned on with logic high, and off with logic low at SYNC/EN. When SYNC/EN is driven with an external clock, the internal oscillator synchronizes the rising edge of the clock at SYNC/EN to DH going high. When being driven by a synchronization clock signal at SYNC/EN, the controller synchronizes to the external clock within two cycles. The frequency at SYNC/EN needs to be within  $\pm 30\%$  of the value set by  $R_{FREQ}$ . See the *Switching-Frequency Setting* section.

### Thermal-Overload Protection

Thermal-overload protection limits the total power dissipation in the MAX8513/MAX8514. When the junction temperature exceeds  $T_J = +170^\circ\text{C}$ , a thermal sensor shuts down the device, forcing DL and DH low and allowing the IC to cool. The thermal sensor turns the part on again after the junction temperature cools by  $25^\circ\text{C}$ , resulting in a pulsed output during continuous thermal-overload conditions. During a thermal event, the main step-down converter and the linear regulators are turned off, POR and PFO go low, and soft-start is reset.

### Design Procedure

#### OUT1 Voltage Setting

The output voltage is set by a resistive-divider network from OUT1 to FB1 to GND (see R1 and R2 in the *Typical Applications Circuits*). Select R2 between  $5\text{k}\Omega$  and  $15\text{k}\Omega$ . Then R1 can be calculated by:

$$R1 = R2 \times \left( \frac{V_{\text{OUT1}}}{1.25\text{V}} - 1 \right)$$

#### Input Power-Fail Setting

The PFI input can monitor  $V_{\text{IN}}$  to determine if it is falling. When the voltage at PFI crosses  $1.22\text{V}$ , the output (PFO) goes low. The input voltage value at the PFI trip threshold,  $V_{\text{PFI}}$ , is set by a resistive-divider network from IN to PFI to GND (see the *Typical Applications Circuits*). Select R11, the resistor from PFI to GND between  $10\text{k}\Omega$  and  $40\text{k}\Omega$ . Then R10, the resistor from PFI to IN, is calculated by:

$$R10 = R11 \times \left( \frac{V_{\text{PFI}}}{1.22\text{V}} - 1 \right)$$

#### Switching-Frequency Setting

The resistor connected from FREQ to GND,  $R_{\text{FREQ}}$  (R7 in the *Typical Applications Circuits*), sets the switching frequency,  $f_S$ , as shown by the equation below:

$$f_S = \frac{15 \times 10^9}{R_{\text{FREQ}}} \text{Hz} \times \Omega$$

where  $R_{\text{FREQ}}$  is in ohms.

#### Inductor Value

There are several parameters that must be examined when determining which inductor to use: input voltage, output voltage, load current, switching frequency, and LIR. LIR is the ratio of peak-to-peak inductor ripple current to

the maximum DC load current. A higher LIR value allows for a smaller inductor but results in higher losses and higher output ripple. A good compromise between size and efficiency is a 30% LIR. Once all of the parameters are chosen, the inductor value is determined as follows:

$$L = \frac{V_{\text{OUT1}} \times (V_{\text{IN}} - V_{\text{OUT1}})}{V_{\text{IN}} \times f_S \times I_{\text{OUT1\_MAX}} \times \text{LIR}}$$

where  $V_{\text{OUT1}}$  is the main switching regulator output and  $f_S$  is the switching frequency.

Choose a standard value close to the calculated value. The exact inductor value is not critical and can be adjusted to make tradeoffs between size, cost, and efficiency. Lower inductor values minimize size and cost, but also increase the output ripple and reduce the efficiency due to higher peak currents. On the other hand, higher inductor values increase efficiency, but eventually resistive losses due to extra turns of wire exceed the benefit gained from lower AC current levels. Find a low-loss inductor with the lowest possible DC resistance that fits the allotted dimensions. Ferrite cores are often the best choice, although powdered iron is inexpensive and can work well up to  $300\text{kHz}$ . The chosen inductor's saturation current rating must exceed the peak inductor current as calculated below:

$$I_{\text{PEAK}} = I_{\text{OUT1\_MAX}} + \frac{(V_{\text{IN}} - V_{\text{OUT1}}) \times V_{\text{OUT1}}}{2 \times L \times f_S \times V_{\text{IN}}}$$

This peak value should be smaller than the value set at  $I_{\text{LIM}}$  when  $V_{\text{OUT1}}$  is at its nominal regulated voltage (see the *Current Limit and Current-Limit Setting* sections).

In applications where a multiple winding inductor (coupled inductor) is used to generate the supply voltages for the LDOs, the inductance value calculated above is for the winding connected to the DC-DC step-down (primary windings) inductance. The inductance seen from the other windings (secondary windings) is proportional to the square of the turns ratio with respect to the primary winding.

The turns ratio is important since it sets the LDOs' supply voltage values. The voltage generated by the secondary winding ( $V_{\text{SEC}}$ ) together with the rectifier diode and output capacitor is calculated as follows:

$$V_{\text{SEC}} = (V_{\text{OUT1}} + V_{\text{Q2}}) \times \left( \frac{n_2}{n_1} \right) - V_{\text{D2}}$$

where  $V_{\text{Q2}}$  and  $V_{\text{D2}}$  are the voltage drops across the low-side MOSFET on the primary side and the rectifier

diode on the secondary side (Q2 and D2 in the *Typical Applications Circuits*).  $n_2$  and  $n_1$  are the number of turns of the secondary winding and the primary winding, respectively.

It is important to have the secondary winding tightly coupled with the primary winding to minimize leakage inductance for higher efficiency. The positive voltage generated by the secondary winding can also be stacked with the main DC-DC step-down converter output to further improve efficiency and reduce winding cost. In this case, the secondary-side voltage:

$$V_{SEC} = (V_{OUT1} + V_{Q2}) \times \left( \frac{n_2}{n_1} \right) + V_{OUT1} - V_{D2}$$

### Input Capacitor

The input-filter capacitor reduces peak currents drawn from the power source and reduces noise and voltage ripple on the input caused by the AC-RMS current through the ESR of the input capacitor (C2 in the *Typical Applications Circuits*). The input capacitor must meet the ripple-current requirement ( $I_{IN\_RMS}$ ) imposed by the switching currents defined by the following equation:

$$I_{IN\_RMS} = \frac{I_{OUT1} \times \sqrt{V_{OUT1} \times (V_{IN} - V_{OUT1})}}{V_{IN}}$$

$I_{IN\_RMS}$  has a maximum value when the input voltage equals twice the output voltage ( $V_{IN} = 2 \times V_{OUT1}$ ), so  $I_{IN\_RMS(MAX)} = I_{OUT1} / 2$ . Ceramic capacitors are recommended due to their low ESR and ESL at high frequency, with relatively low cost. Choose a capacitor that exhibits less than 10°C temperature rise at the maximum operating RMS current for optimum long-term reliability.

For applications that require input power-fail warning, such as dying gasp, add a large-value electrolytic capacitor ( $C_S$ ) to the input as a local energy storage device to provide the power to the converter in case of input power-fail. The capacitor value must be high enough to meet the desired power-fail warning time,  $t_{WARN}$ , where  $t_{WARN}$  is the time from when PFI trips the PFO output to when the

main output (OUT1) starts dropping out of regulation. The value of the storage capacitor,  $C_S$ , can be calculated as:

$$C_S = \left( 0.5 \times \frac{P_{OUT1}}{\eta} \right) \times \left( \frac{1}{V_{PFI}} - \frac{1}{V_{DROOP}} \right) \times \frac{t_{WARN}}{(V_{PFI} - V_{DROOP})}$$

where  $P_{OUT1}$  is the total output power,  $\eta$  is the total converter efficiency,  $V_{PFI}$  is the input voltage value at the input power-fail (PFI) trip threshold, and  $V_{DROOP}$  is the input voltage value where  $V_{OUT1}$  starts dropping out of regulation.

$V_{PFI}$  and  $V_{DROOP}$  can be calculated as:

$$V_{PFI} = 1.22V \times \left( 1 + \frac{R10}{R11} \right)$$

where R10 and R11 are the resistive-dividers from IN to PFI to GND in the *Typical Applications Circuits*.

$$V_{DROOP} = \frac{V_{OUT1}}{D_{MAX}}$$

where  $D_{MAX}$  is the maximum duty cycle.

To ensure for worst-case component tolerances such as capacitance of  $C_S$ , converter efficiency,  $V_{PFI}$ , and  $V_{DROOP}$ 's threshold over the operating temperature range, it is recommended to select  $C_S$  at least 1.5 times the calculated value above.

### Output Capacitor

The key selection parameters for the output capacitor are the actual capacitance value, the equivalent series resistance (ESR), the equivalent series inductance (ESL), and the voltage-rating requirements. All of these affect the overall stability, output ripple voltage, and transient response.

The output ripple is composed of three components: variations in the charge stored in the output capacitor, the voltage drop across the capacitor's equivalent series resistance (ESR), and equivalent series inductance (ESL) caused by the current into and out of the capacitor.

The peak-to-peak output voltage ripple as a consequence of the ESR, ESL, and output capacitance is:

$$V_{\text{RIPPLE(ESR)}} = I_{\text{P-P}} \times R_{\text{ESR}}$$

$$V_{\text{RIPPLE(C)}} = \frac{I_{\text{P-P}}}{8 \times C_{\text{OUT}} \times f_{\text{S}}}$$

where  $C_{\text{OUT}}$  is C4 in the *Typical Applications Circuits*.

$$V_{\text{RIPPLE(ESL)}} = \frac{V_{\text{IN}} \times \text{ESL}}{L1A + \text{ESL}}$$

$$\text{and } I_{\text{P-P}} = \left( \frac{V_{\text{IN}} - V_{\text{OUT1}}}{f_{\text{S}} L} \right) \left( \frac{V_{\text{OUT1}}}{V_{\text{IN}}} \right)$$

where  $I_{\text{P-P}}$  is the peak-to-peak inductor current (see the *Inductor Selection* section). An approximation of the overall voltage ripple at the output is:

$$V_{\text{RIPPLE}} = V_{\text{RIPPLE(C)}} + V_{\text{RIPPLE(ESR)}} + V_{\text{RIPPLE(ESL)}}$$

While these equations are suitable for initial capacitor selection to meet the ripple requirement, final values may also depend on the relationship between the LC double-pole frequency and the capacitor ESR zero. Generally, the ESR zero is higher than the LC double pole (see the *Compensation Design* section). Solid polymer electrolytic or ceramic capacitors are recommended due to their low ESR and ESL at higher frequencies. Higher output current may require paralleling multiple capacitors to meet the output voltage ripple.

The MAX8513/MAX8514s' response to a load transient depends on the selected output capacitor. After a load transient, the output instantly changes by  $(\text{ESR} \times \Delta I_{\text{OUT1}}) + (\text{ESL} \times dI_{\text{OUT1}} / dt)$ . Before the controller can respond, the output deviates further depending on the inductor and output capacitor values. After a short period of time (see the *Typical Operating Characteristics*), the controller responds by regulating the output voltage back to its nominal state. The controller response time depends on the closed-loop bandwidth. With a higher bandwidth the response time is faster, preventing the output capacitor from further deviation from its regulating value. Be sure not to exceed the capacitor's voltage or current ratings.

### MOSFET Selection

The MAX8513/MAX8514 drive two external, logic-level, N-channel MOSFETs as the circuit switch elements. The key selection parameters are:

- For on-resistance ( $R_{\text{DS\_ON}}$ ), the lower the better.
- Maximum drain-to-source voltage ( $V_{\text{DS}}$ ) should be at least 20% higher than the input supply rail at the high-side MOSFET's drain.
- For gate charges ( $Q_{\text{GS}}$ ,  $Q_{\text{GD}}$ ,  $Q_{\text{DS}}$ ), the lower the better.

Choose the MOSFETs with rated  $R_{\text{DS\_ON}}$  at  $V_{\text{GS}} = 4.5\text{V}$ . For a good compromise between efficiency and cost, choose the high-side MOSFET (Q1 in the *Typical Applications Circuits*) that has conduction loss equal to switching loss at nominal input voltage and maximum output current. For the low-side MOSFET (Q2 in the *Typical Applications Circuits*), make sure that it does not spuriously turn on due to  $dV/dt$  caused by Q1 turning on as this results in shoot-through current degrading the efficiency. MOSFETs with a lower  $Q_{\text{GD}} / Q_{\text{GS}}$  ratio have higher immunity to  $dV/dt$ .

For proper thermal management, the power dissipation must be calculated at the desired maximum operating junction temperature, maximum output current, and worst-case input voltage. For Q2, the worst case is at  $V_{\text{IN\_MAX}}$ . For Q1, it could be either at  $V_{\text{IN\_MIN}}$  or  $V_{\text{IN\_MAX}}$ . Q1 and Q2 have different loss components due to the circuit operation. Q2 operates as a zero voltage switch, where major losses are the channel conduction loss ( $P_{\text{Q2CC}}$ ) and the body-diode conduction loss ( $P_{\text{Q2DC}}$ ).

$$P_{\text{Q2CC}} = \left( 1 - \frac{V_{\text{OUT1}}}{V_{\text{IN}}} \right) \times I_{\text{OUT1}}^2 \times R_{\text{DS\_ON}}$$

$$P_{\text{Q2DC}} = 2 \times I_{\text{OUT1}} \times V_{\text{F}} \times t_{\text{dt}} \times f_{\text{S}}$$

where  $V_{\text{F}}$  is the body-diode forward voltage drop,  $t_{\text{dt}} = 50\text{ns}$  is the dead time between Q1 and Q2 switching transitions, and  $f_{\text{S}}$  is the switching frequency.

The total losses for Q2 are:

$$P_{\text{Q2\_TOTAL}} = P_{\text{Q2CC}} + P_{\text{Q2DC}}$$

Q1 operates as a duty-cycle control switch and has the following major losses: the channel conduction loss ( $P_{\text{Q1CC}}$ ), the  $V I$  overlapping switching loss ( $P_{\text{Q1SW}}$ ), and the drive loss ( $P_{\text{Q1DR}}$ ). Q1 does not have body-diode conduction loss because the diode never conducts current.

$$P_{\text{Q1CC}} = \frac{V_{\text{OUT1}}}{V_{\text{IN}}} \times I_{\text{OUT1}}^2 \times R_{\text{DS\_ON}}$$

where  $R_{\text{DS\_ON}}$  is at the maximum operating junction temperature.

$$P_{Q1SW} = V_{IN} \times I_{OUT1} \times f_S \times \frac{(Q_{GS} + Q_{GD})}{I_{GATE}}$$

where  $I_{GATE}$  is the average DH high driver output-current capability determined by:

$$I_{GATE} = \frac{2.5V}{(R_{DH} + R_{GATE})}$$

where  $R_{DH}$  is the high-side MOSFET driver's on-resistance (1.5Ω typ) and  $R_{GATE}$  is the internal gate resistance of the MOSFET (≈2Ω).

$$P_{Q1DR} = Q_{GS} \times V_{GS} \times f_S \times \frac{R_{GATE}}{(R_{GATE} + R_{DH})}$$

where  $V_{GS} \approx V_{VL} = 5V$ .

The total power loss in Q1 is:

$$P_{Q1} = P_{Q1CC} + P_{Q1SW} + P_{Q1DR}$$

In addition to the losses above, allow approximately 20% more for additional losses due to MOSFET output capacitances and Q2 body-diode reverse recovery charge dissipated in Q1. This is not typically well-defined in MOSFET data sheets. Refer to the MOSFET data sheet for the thermal-resistance specification to calculate the PC board area needed to maintain the desired maximum operating junction temperature with the above calculated power dissipations.

To reduce EMI caused by switching noise, add a 0.1μF or larger ceramic capacitor from the high-side MOSFET drain to the low-side MOSFET source or add resistors in series with DH and DL to slow down the switching transitions. However, adding series resistors with DH and DL increases the power dissipation in the MOSFET when it switches, so be sure this does not overheat the MOSFET. The minimum load current must exceed the high-side MOSFET's maximum leakage current over temperature if fault conditions are expected.

### MOSFET Snubber Circuit

Fast switching transitions cause ringing because of resonating circuit parasitic inductance and capacitance at the switching nodes. This high-frequency ringing occurs at LX's rising and falling transitions and can interfere with circuit performance and generate EMI. To dampen this ringing, a series-RC snubber circuit is added across each switch. The following is the procedure for selecting the value of the series-RC circuit:

- 1) Connect a scope probe to measure  $V_{LX}$  to GND, and observe the ringing frequency,  $f_R$ .
- 2) Find the capacitor value (connected from LX to GND) that reduces the ringing frequency by half.

The circuit parasitic capacitance ( $C_{PAR}$ ) at LX is then equal to 1/3rd the value of the added capacitance above. The circuit parasitic inductance ( $L_{PAR}$ ) is calculated by:

$$L_{PAR} = \frac{1}{(2\pi \times f_R)^2 \times C_{PAR}}$$

The resistor for critical dampening ( $R_{SNUB}$ ) is equal to  $(2\pi \times f_R \times L_{PAR})$ . Adjust the resistor value up or down to tailor the desired damping and the peak voltage excursion. The capacitor ( $C_{SNUB}$ ) should be at least 2 to 4 times the value of the  $C_{PAR}$  to be effective. The power loss of the snubber circuit is dissipated in the resistor ( $P_{RSNUB}$ ) and can be calculated as:

$$P_{RSNUB} = C_{SNUB} \times (V_{IN})^2 \times f_S$$

where  $V_{IN}$  is the input voltage and  $f_S$  is the switching frequency. Choose an  $R_{SNUB}$  power rating that meets the specific application's derating rule for the power dissipation calculated.

### Current-Limit Setting

The MAX8513/MAX8514 can provide foldback current limit or constant current limit. Unless constant current-limit operation is required, such as when driving a constant current load, foldback current limit should be implemented. Foldback current limit reduces the power dissipation of external components under overload or short-circuit conditions.

### Foldback Current Limit

For foldback current limit, the current-limit threshold is set by an external resistive-divider from  $V_{OUT1}$  to ILIM to GND (R17 and R18 of the *Typical Applications Circuits*). This makes the voltage at ILIM a function of the internal 5μA current source and  $V_{OUT1}$ . The current-limit comparator threshold is equal to  $V_{ILIM} / 7.5$ . This threshold is compared with  $V_{SENSE}$ .  $V_{SENSE}$  is either the voltage across the current-sense resistor or, for lossless sensing, the voltage across the inductor. When  $V_{SENSE}$  exceeds the current-limit threshold, the high-side MOSFET turns off and the low-side MOSFET turns on. This allows for a current foldback feature that reduces the current-limit threshold during a short circuit. This makes the current threshold limit, when  $V_{OUT} = 0V$ , a percentage of the current-limit threshold, when  $V_{OUT1}$  is at its nominal regulated value.

To set the current limit and the current-limit foldback thresholds, first select the foldback current-limit ratio ( $P_{FB}$ ). This ratio is the foldback current limit ( $I_{LIMIT@0V}$ ) divided by the current limit when  $V_{OUT1}$  equals its nominal regulated voltage  $I_{LIMIT}$ .

$$P_{FB} = \frac{I_{LIMIT@0V}}{I_{LIMIT}}$$

$P_{FB}$  is typically set to 0.5. To calculate the values of R17 and R18 (in the *Typical Applications Circuits*), use the following equations:

$$R17 = \frac{(P_{FB} \times V_{OUT1})}{4.7\mu A \times (1 - P_{FB})}$$

$$R18 = \frac{(7.5 \times R_{CS\_MAX} \times I_{LIMIT} \times (1 - P_{FB})) \times R17}{V_{OUT1} - (7.5 \times R_{CS\_MAX} \times I_{LIMIT} \times (1 - P_{FB}))}$$

$R_{CS\_MAX}$  is the maximum sensing resistance at the high operating temperature.  $R_{CS}$  can either be the series resistance of the inductor or a discrete current-sense resistor value.  $I_{LIMIT}$  is the peak inductor current at maximum load, which equals:

$$I_{OUT1\_MAX} \times \left( \frac{1 + LIR}{2} \right)$$

If R18 results in a negative resistance, then decrease  $R_{CS}$ . This can be done by choosing an inductor with a lower DC resistance or a lower value discrete current-sense resistor.

### Constant Current Limit

For constant current-limit operation, connect ILIM to VL for a default current-limit threshold of 170mV (typ). The sensing resistor value must then be chosen so that:

$$R_{CS\_MAX} \times I_{LIMIT} < 151\text{mV}$$

the minimum value of the default threshold.

Alternately, the constant current-limit threshold can also be set by using only R18, in which case R18 is calculated as follows:

$$R18 = 7.5 \times R_{CS\_MAX} \times \frac{I_{LIMIT}}{4.7\mu A}$$

When using the DC resistance of the inductor as a current-sense resistor, an RC filter is needed (R19 and C14

of the *Typical Applications Circuits*). Pick the value of the filter capacitor, C14, from 0.22 $\mu$ F to 1 $\mu$ F (ceramic X7R). Then calculate the value of R19 as follows:

$$R19 = \frac{L1A}{(2 \times R_{L\_DC} \times C14)}$$

$R_{L\_DC}$  is the nominal value of the inductor's DC resistance. Additionally, R20 (in the *Typical Applications Circuits*) is added in series with the CSN input to cancel the drop due to input bias current into CSP that develops across R19. R20 should be set equal to R19.

### Compensation Design

The MAX8513/MAX8514 use a voltage-mode control scheme that regulates the output voltage by comparing the error-amplifier output (COMP) with a fixed internal ramp to produce the required duty cycle. The output lowpass LC filter creates a double pole at the resonant frequency, which has a gain drop of -40dB/decade and a phase shift of approximately -180°/decade. The error amplifier must compensate for this gain drop and phase shift to achieve a stable high-bandwidth closed-loop system.

The basic regulator loop consists of a power modulator, an output feedback divider, and an error amplifier. The power modulator has a DC gain set by  $V_{IN} / V_{RAMP}$  ( $V_{RAMP} = 1\text{V pk-pk}$ ), with a double pole and a single zero set by the output inductance (L), the output capacitance ( $C_{OUT}$ ) (C4 in the *Typical Applications Circuits*), and its equivalent series resistance ( $R_{ESR}$ ).  $V_{RAMP}$  is the peak of the sawtoothed waveform at the input of the PWM comparator (see the *Functional Diagrams* in Figures 1 and 2). Below are equations that define the power modulator:

$$G_{MOD(DC)} = \frac{V_{IN}}{V_{RAMP}}$$

$$f_{PMOD} = \frac{1}{2\pi\sqrt{L \times C_{OUT}}}$$

where L is L1A and  $C_{OUT}$  is C4 in the *Typical Application circuits*.

$$f_{ZESR} = \frac{1}{2\pi \times C_{OUT} \times R_{ESR}}$$

When the output capacitance is comprised of paralleling  $n$  number of identical capacitors whose values are  $C_{EACH}$  with ESR of  $R_{ESR\_EACH}$ , then:

$$C_{OUT} = n \times C_{EACH} \text{ and } R_{ESR} = \frac{R_{ESR\_EACH}}{n}$$

Thus the resulting  $f_{ZESR}$  is the same as that of each capacitor.

The crossover frequency ( $f_C$ ), which is the frequency when the closed-loop gain is equal to unity, should be the smaller of 1/5th the switching frequency or 100kHz (see the *Switching-Frequency Setting* section):

$$f_C \leq \frac{f_S}{5} \text{ or } 100\text{kHz}$$

The loop-gain equation at the crossover frequency is:

$$G_{EA}(f_C)G_{MOD}(f_C) = 1$$

where  $G_{EA}(f_C)$  is the error-amplifier gain at  $f_C$ , and  $G_{MOD}(f_C)$  is the power modular gain at  $f_C$ .

The loop compensation is affected by the choice of output-filter capacitor used, due to the position of its ESR zero frequency with respect to the desired closed-loop crossover frequency. Ceramic capacitors are used for higher switching frequencies (above 750kHz) because of low capacitance and low ESR; therefore, the ESR zero frequency is higher than the closed-loop crossover frequency. While electrolytic capacitors (e.g., tantalum, solid polymer, oscon, etc.) are needed for lower switching frequencies, because of high capacitance and ESR, the ESR zero frequency is typically lower than the closed-loop crossover frequency. Thus the compensation design procedure is separated into two cases:

**Case 1: Ceramic Output Capacitor (operating at high switching frequencies,  $f_{ZESR} > f_C$ )**

The modulator gain  $f_C$  is:

$$G_{MOD}(f_C) = G_{MOD}(DC) \left( \frac{f_{PMOD}}{f_C} \right)^2$$

Since the crossover frequency is lower than the output capacitors' ESR zero frequency and higher than the LC double-pole frequency, the error-amplifier gain must have a +20dB/decade slope at  $f_C$ . This +20dB/decade slope of the error amplifier at crossover then adds to the -40dB/

decade slope of the LC double pole, and the resultant compensated loop crosses over at the desired -20dB/decade slope. The error amplifier has a dominant pole at very low frequency ( $\approx 0\text{Hz}$ ), and two separate zeros at:

$$f_{Z1} = \frac{1}{2\pi \times R3 \times C5} \text{ and } f_{Z2} = \frac{1}{2\pi \times (R1 + R4) \times C11}$$

and poles at:

$$f_{P2} = \frac{1}{2\pi \times R4 \times C11} \text{ and } f_{P3} = \frac{1}{2\pi \times R3 \times \left( \frac{C5 \times C12}{C5 + C12} \right)}$$

The error-amplifier equivalent circuit and its gain vs. frequency plot are shown below in Figure 3.

In this case,  $f_{Z2}$  and  $f_{P1}$  are selected to have the converters' closed-loop crossover frequency,  $f_C$ , occur when the error-amplifier gain has a +20dB/decade slope between  $f_{Z2}$  and  $f_{P2}$ . The error-amplifier gain at  $f_C$  is:

$$G_{EA}(f_C) = \frac{1}{G_{MOD}(f_C)}$$

The gain of the error amplifier between  $f_{Z1}$  and  $f_{Z2}$  is:

$$G_{EA}(f_{Z1}-f_{Z2}) = G_{EA}(f_C) \frac{f_{Z2}}{f_C} = \frac{f_{Z2}}{f_C G_{MOD}(f_C)}$$

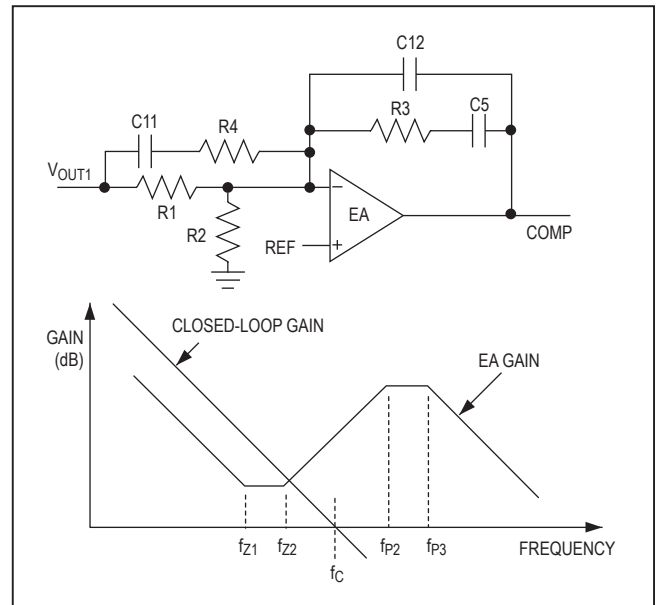


Figure 3. Case 1: Error-Amplifier Compensation Circuit (Closed-Loop and Error-Amplifier Gain Plot)

This gain is also set by the ratio of R3/R1 where R1 is calculated in the *OUT1 Voltage Setting* section. Thus:

$$R3 = \frac{R1 \times f_{Z2}}{f_C \times G_{MOD}(f_C)}$$

Due to the underdamped ( $Q > 1$ ) nature of the output LC double pole, the error-amplifier zero frequencies must be set less than the LC double-pole frequency to provide adequate phase boost. Set the error-amplifier first zero,  $f_{Z1}$ , at 1/4th the LC double-pole frequency and the second zero,  $f_{Z2}$ , at the LC double-pole frequency. Hence:

$$C5 = \frac{2}{\pi \times R3 \times f_{P_{MOD}}}$$

Set the error-amplifier  $f_{P2}$  at  $f_{ZESR}$ , and  $f_{P3}$  to 1/2 the switching frequency, if  $f_{ZESR} < 1/2 f_S$ . If  $f_{ZESR} > 1/2 f_S$ , then set  $f_{P2}$  at  $1/2 f_S$  and  $f_{P3}$  at  $f_{ZESR}$ .

The gain of the error amplifier between  $f_{P2}$  and  $f_{P3}$  is set by the ratio of R3/R1 and equal to:

$$\frac{R3}{R1} = G_{EA}(f_{Z1}-f_{Z2}) \frac{f_{P2}}{f_{P_{MOD}}}$$

where  $R1$  is the parallel combination of R1 and R4 and is equal to:

$$R1 = \frac{R1 \times R4}{R1 + R4}$$

Therefore:

$$R1 = \frac{R3 \times f_{P_{MOD}}}{f_{P2} \times G_{EA}(f_{Z1}-f_{Z2})} \text{ and}$$

$$R4 = \frac{R1 \times R1}{R1 - R1}$$

C11 can then be calculated as:

$$C11 = \frac{1}{2\pi \times R4 \times f_{P2}}$$

and C12 as:

$$C12 = \frac{C5}{(2\pi \times C5 \times R3 \times f_{P3} - 1)}$$

Below is a numerical example to calculate the error-amplifier compensation values used in the *Typical Applications Circuit* of Figure 5:

$V_{IN} = 12V$  (nominal input voltage)

$V_{RAMP} = 1V$

$V_{OUT1} = 3.3V$

$V_{FB1} = 1.25V$

$L1A = 1.8\mu H$

$C4 = 47\mu F / 6.3V$  ceramic, with  $R_{ESR} = 0.008\Omega$

$f_S = 1.4MHz$

The LC double-pole frequency is calculated as:

$$f_{P_{MOD}} = \frac{1}{2\pi \sqrt{L1A \times C4}} =$$

$$\frac{1}{2\pi \sqrt{1.8 \times 10^{-6} \times 47 \times 10^{-6}}} = 17.3kHz$$

$$f_{ZESR} = \frac{1}{2\pi \times R_{ESR} \times C4} =$$

$$\frac{1}{2\pi \times 0.008 \times 47 \times 10^{-6}} = 423kHz$$

Pick  $R2 = 8.06k\Omega$ .

$$R1 = 8.06k\Omega \times \left( \frac{3.3V}{1.25V} - 1 \right) = 13.3k\Omega$$

The modulator gain at DC is:

$$G_{MOD}(DC) = \frac{V_{IN}}{V_{RAMP}} = 12$$

Pick  $f_C = 100kHz$ .

$$G_{MOD}(f_C) = 12 \times \left( \frac{17.4kHz}{100kHz} \right)^2 = 0.363$$

$$G_{EA}(f_{Z1}-f_{Z2}) = \frac{f_{P_{MOD}}}{f_C \times G_{MOD}(f_C)}$$

$$= \frac{17.4kHz}{100kHz \times 0.363} = 0.479$$

$$R3 = R1 \times G_{EA}(f_{Z1}-f_{Z2})$$

$$= 13.3k\Omega \times 0.479 = 6.37k\Omega$$



Use 6.8kΩ.

$$C5 = \frac{2}{\pi \times R3 \times f_{PMOD}} = \frac{2}{\pi \times 6.8k\Omega \times 17.4kHz} = 5.38nF$$

Use 4.7nF.

$$R1 = \frac{R3 \times f_{PMOD}}{f_{P2} \times G_{EA}(f_{Z1}-f_{Z2})} = \frac{6.8k\Omega \times 17.4kHz}{423kHz \times 0.479} = 583\Omega$$

$$R4 = \frac{R1 \times R1}{R1 - R1} = \frac{13.3k\Omega \times 583\Omega}{13.3k\Omega - 583\Omega} = 609\Omega$$

Use 620Ω.

$$C11 = \frac{1}{2\pi \times R4 \times f_{P2}} = \frac{1}{2\pi \times 620\Omega \times 423kHz} = 607pF$$

Use 680pF.

Pick  $f_{P3} = 700kHz$ , which is the midpoint between  $f_{ZESR}$  and 1/2 the switching frequency.

$$C12 = \frac{C5}{(2\pi \times C5 \times R3 \times f_{P3}) - 1}$$

$$= \frac{4.7nF}{(2\pi \times 4.7nF \times 6.8k\Omega \times 700kHz) - 1} = 33.7pF$$

Use 33pF.

**Case 2: Electrolytic Output Capacitor (operating at lower switching frequencies,  $f_{ZESR} < f_C$ )**

The modulator gain at  $f_C$  is:

$$G_{MOD}(f_C) = G_{MOD}(DC) \frac{f_{PMOD}^2}{f_{ZESR} f_C}$$

The output capacitor’s ESR zero frequency is higher than the LC double-pole frequency but lower than the closed-loop crossover frequency. Here the modulator already has a -20dB/decade slope; therefore, the error-amplifier gain must have a 0dB/decade slope at  $f_C$ , so the loop crosses over at the desired -20dB/decade slope. The error-amplifier circuit configuration is the same as Case 1; however, the closed-loop crossover frequency is now between  $f_{P2}$  and  $f_{P3}$ , as illustrated in Figure 4.

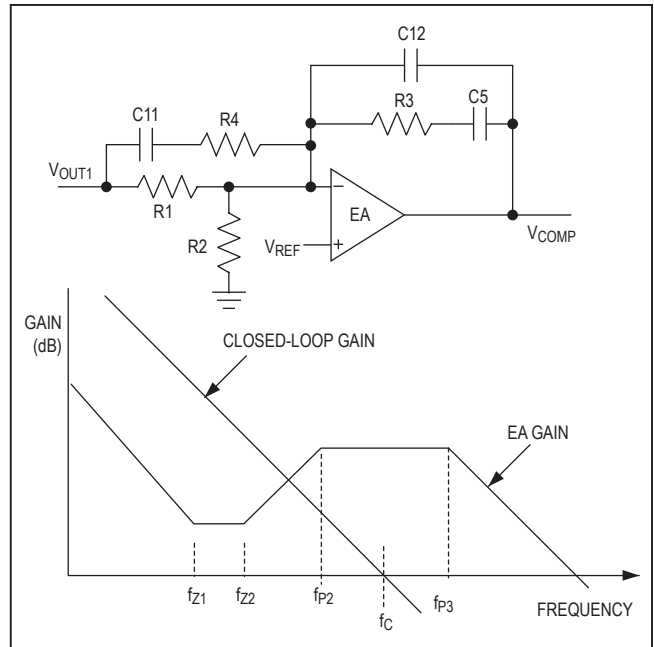


Figure 4. Case 2: Error-Amplifier Compensation Circuit (Closed-Loop and Error-Amplifier Gain Plot)

The equations that define the error amplifier’s poles and zeroes ( $f_{Z1}$ ,  $f_{Z2}$ ,  $f_{P2}$ , and  $f_{P3}$ ) are the same as for Case 1. However,  $f_{P2}$  is now lower than the closed-loop crossover frequency.

The error-amplifier gain at  $f_C$  is:

$$G_{EA}(f_C) = \frac{1}{G_{MOD}(f_C)}$$

And the gain of the error amplifier between  $f_{Z1}$  and  $f_{Z2}$  is:

$$G_{EA}(f_{Z1}-f_{Z2}) = G_{EA}(f_C) \frac{f_{Z2}}{f_{P2}} = \frac{f_{Z2}}{f_{P2} G_{MOD}(f_C)}$$

Due to the underdamped ( $Q > 1$ ) nature of the output LC double pole, the error-amplifier zero frequencies must be set less than the LC double-pole frequency to provide adequate phase boost. Set the first zero of the error amplifier,  $f_{Z1}$ , at 1/4th the LC double-pole frequency. Set the second zero,  $f_{Z2}$ , at the LC double-pole frequency. Set the second pole,  $f_{P2}$ , at  $f_{ZESR}$ .

This gain between  $f_{Z1}$  and  $f_{Z2}$  is also set by the ratio of  $R3/R1$ , where  $R1$  is selected in the *OUT1 Voltage Setting* section. Therefore:

$$R3 = \frac{R1 \times f_{PMOD}}{f_{ZESR} \times G_{MOD}(f_c)}$$

And similar to Case 1,  $C5$  can be calculated as:

$$C5 = \frac{2}{\pi \times R3 \times f_{PMOD}}$$

Set the error-amplifier third pole,  $f_{P3}$ , at approximately 1/2 the switching frequency. The gain of the error amplifier at  $f_C$  (between  $f_{P2}$  and  $f_{P3}$ ) is set by the ratio of  $R3/R1$  and is also equal to:

$$G_{EA}(f_c) = \frac{1}{G_{MOD}(f_c)}$$

Where  $R1$  is:

$$R1 = \frac{R1 \times R4}{R1 + R4}$$

Therefore:

$$R1 = R3 \times G_{MOD}(f_c) \times G_D$$

Similar to Case 1,  $R4$ ,  $C11$ , and  $C12$  can be calculated as:

$$R4 = \frac{R1 \times R1}{R1 - R1}$$

$$C11 = \frac{1}{2\pi \times R4 \times f_{ZESR}}$$

$$C12 = \frac{C5}{2\pi \times C5 \times R3 \times f_{P3} - 1}$$

Below is a numerical example to calculate the error-amplifier compensation values for Case 2:

$V_{IN} = 12V$  (nominal input voltage)

$V_{RAMP} = 1V$

$V_{OUT1} = 3.3V$

$V_{FB1} = 1.25V$

$L1A = 6.2\mu H$

$C4 = 560\mu F / 10V$  OS-Con capacitor, with  $ESR = 0.015\Omega$

$f_S = 300kHz$

$$f_{PMOD} = \frac{1}{2\pi \sqrt{L1A \times C4}}$$

$$= \frac{1}{2\pi \sqrt{6.2\mu H \times 560\mu F}} = 2.7kHz$$

$$f_{ZESR} = \frac{1}{2\pi R_{ESR} \times C4}$$

$$= \frac{1}{2\pi \times 0.015\Omega \times 560\mu F} = 18.95kHz$$

Pick  $R2 = 8.06k\Omega$ . Then:

$$R1 = 8.06k\Omega \times \frac{3.3V}{1.25V} = 13.3k\Omega$$

$$G_{MOD}(DC) = \frac{V_{IN}}{V_{RAMP}} = 12$$

Pick  $f_C = 50kHz$ , which is less than  $f_S / 5$ .

$$G_{MOD}(DC) = 12 \times \frac{2.7kHz^2}{18.95kHz \times 50kHz} = 0.0923$$

$$G_{EA}(f_{Z1}-f_{Z2}) = \frac{f_{PMOD}}{f_{ZESR} G_{MOD}(f_c)}$$

$$= \frac{2.7kHz}{18.95kHz \times 0.0923} = 1.543$$

$$R3 = R1 \times G_{EA}(f_{Z1}-f_{Z2}) = 13.3k\Omega \times 1.543 = 20.48k\Omega$$

Use  $20k\Omega$ .

$$C5 = \frac{2}{\pi \times R3 \times f_{PMOD}} = \frac{2}{\pi \times 20k\Omega \times 2.7kHz} = 11.8nF$$

Use  $12nF$ .

$$R1 = R3 \times G_{MOD}(f_c) = 20k\Omega \times 0.0923 = 1.846k\Omega$$

$$R4 = \frac{R1 \times R1}{R1 - R1} = \frac{13.3k\Omega \times 1.846k\Omega}{13.3k\Omega - 1.846k\Omega} = 2.14k\Omega$$

Use  $2.2k\Omega$ .

$$C11 = \frac{1}{2\pi \times R4 \times f_{ZESR}} = \frac{1}{2\pi \times 2.2k\Omega \times 18.95kHz} = 3.82nF$$

Use  $3.9nF$ .

Pick  $f_{P3} = f_S / 2 = 150kHz$ .

$$C12 = \frac{C5}{(2\pi \times C5 \times R3 \times f_{P3}) - 1}$$

$$= \frac{12\text{nF}}{2\pi \times 12\text{nF} \times 20\text{k}\Omega \times 150\text{kHz} - 1} = 53.3\text{pF}$$

Use 47pF.

## Linear-Regulator Controllers

### OUT2 Voltage Selection

The MAX8513/MAX8514 OUT2 positive linear regulator's output voltage is set by connecting a resistive divider from OUT2 to FB2 to GND. The resistors in the divider are selected to set the minimum output current ( $I_{OUT2\_MIN}$ ). For the *Typical Applications Circuit* (Figure 5 or Figure 6), the feedback resistors are set to  $R5 = 340\Omega$  and  $R6 = 160\Omega$ , where  $R5$  is the resistor from OUT2 to FB2 and  $R6$  is the resistor from FB2 to GND. These values set the minimum output current to  $\approx 4.5\text{mA}$ , which works well with many MOSFETS.

In general,

$$I_{OUT2\_MIN} = \frac{I_{OUT2\_MAX}}{333}$$

Select  $R5$  and  $R6$  such that:

$$\frac{0.8\text{V}}{R6} = I_{OUT2\_MIN}$$

$$R5 = R6 \times \left( \frac{V_{OUT2} - 1}{0.8\text{V}} \right)$$

### OUT2 Stability

A transconductance amplifier drives the gate of the NMOS transistor (Q3 in the *Typical Applications Circuits*), with current proportional to the error signal multiplied by the amplifier's transconductance. The error signal is the difference between  $V_{FB2}$  and the internal 0.8V reference.  $V_{SUP2}$ , the supply voltage for the transconductance amplifier, must be at least 1V greater than the maximum required gate voltage ( $V_{DRV2}$ ). The output pass transistor (Q3) buffers the DRV2 signal to produce the desired output voltage ( $V_{OUT2}$ ). The output capacitor ( $C6$  in the *Typical Applications Circuits*) helps bypass the output, while the feedback resistors ( $R5$  and  $R6$ ) set the output-voltage reference point as well as the minimum load.

The loop gain for the positive LDO output using an NMOS transistor is:

$$\frac{0.8\text{V}}{V_{OUT2}} \times \frac{G_{C2}(1 + sC_A \times R_A)}{s(C_A + C_q) \left( 1 + \frac{sC_{OUT2}}{g_C} \right) (1 + sR_A \times C_q)}$$

where  $C_{OUT2}$  is  $C6$  in the *Typical Applications Circuits*.

$G_{C2}$  is the transconductance of the internal amplifier (0.21S typ), and a dominant pole at a low frequency is created from this transconductance and the compensation capacitor ( $C_A$  in the *Typical Applications Circuits* + Q3's gate capacitance ( $C_q$ )). A second pole occurs due to  $C_{OUT2}$  and the transconductance of Q3 ( $g_C$ ). This transconductance varies from a minimum  $g_{C(MIN)}$  occurring at minimum load to a maximum  $g_{C(MAX)}$  occurring at maximum load. To calculate the  $g_C$  at any load current, the typical forward transconductance can be extracted from the MOSFET's data sheet ( $g_{fs}$ ), as well as the current at which it is measured ( $I_{Dfs}$ ). The  $g_{C(MIN)}$  and  $g_{C(MAX)}$  can be calculated as:

$$g_{C(MAX)} = g_{fs} \sqrt{\frac{I_{OUT2(MAX)}}{I_{Dfs}}}$$

$$g_{C(MIN)} = g_{fs} \sqrt{\frac{I_{OUT2(MIN)}}{I_{Dfs}}}$$

Poles occur at:

$$f_{PMAX} = \frac{g_{C(MAX)}}{2\pi \times C_{OUT2}}$$

$$\text{and } f_{PMIN} = \frac{g_{C(MIN)}}{2\pi \times C_{OUT2}}$$

If only a minimum  $g_{fs}$  is given, initially assume the maximum is twice the minimum.

When using a bipolar transistor, the  $g_{C(MAX)}$  and  $g_{C(MIN)}$  occur as the following:

$$g_{C(MIN)} = \frac{I_{OUT2MIN}}{V_T}$$

$$g_{C(MAX)} = \frac{I_{OUT2MAX}}{V_T}$$

where  $V_T$  is the thermal voltage, 26mV.

A third pole occurs due to the input capacitance of the NMOS transistor's gate,  $C_q$  ( $C_{iss}$  from the MOSFET data sheet), and the compensation resistor ( $R_A$ ). If an NPN bipolar transistor is used instead, this third pole can be calculated from the base capacitance ( $C_q = C_{IBO}$  from the NPN data sheet). To ensure stability, a zero is added to the loop from the resistor ( $R_A$ ) and capacitor ( $C_A$ ).

For good stability and transient response, first pick  $C_{OUT2}$  at approximately  $6.8\mu\text{F}/\text{A}$  of load current. For the *Typical Applications Circuit*,  $C_{OUT2}$  is a  $10\mu\text{F}$  ceramic capacitor. Ensure that the zero formed from the ESR of  $C_{OUT2}$  is greater than the maximum bandwidth  $BW_{MAX}$  (calculated below). The maximum bandwidth should also be less than the pole created by Q3's gate capacitance ( $C_q$ ) and the compensation resistor ( $R_A$ ).

$$BW_{MAX} = \text{MIN} \left[ \begin{array}{l} \frac{1}{1.3} \times \frac{1}{2\pi \times C_G R_C}, \\ \frac{1}{\sqrt{10}} \times \frac{1}{2\pi \times R_{ESR\_COUT2} C_{OUT}} \end{array} \right]$$

The following equations set the compensation zero a decade and a half below the maximum load pole and ensure the above constraint is met. Choose the larger of the two values for  $C_A$ .

$$C_A = \text{MAX} \left\{ \begin{array}{l} 13 \times \frac{\sqrt{8 \times V_{OUT} \times C_{OUT} \times C_q \times G_{C2} \times g_{C(MAX)} \times (g_{C(MAX)} \times R_{ESR\_COUT2} + 1)}}{g_{C(MAX)} V_{OUT2} + I_{OUT2(MAX)}}, \\ 16\sqrt{10} \times \frac{G_{C2} \times g_{C(MAX)}}{(g_{C(MAX)} V_{OUT2} + I_{OUT2(MAX)}) \times R_{ESR\_COUT2} C_{OUT} - C_q} \end{array} \right.$$

$$R_A = 10\sqrt{10} \times \frac{V_{OUT2} C_{OUT2}}{C_A} \times \frac{(g_{C(MAX)} \times R_{ESR\_COUT2} + 1)}{(g_{C(MAX)} V_{OUT2} + I_{OUT2(MAX)})}$$

### MOSFET Transistor Selection

MAX8513/MAX8514s' OUT2 uses N-channel MOSFETs as the series pass transistor to improve efficiency for high output current by not requiring a large amount of

drive current. The selected MOSFET must have the gate threshold voltage meet the following criteria:

$$V_{GS\_MAX} \leq V_{DRV2} - V_{OUT2}$$

where  $V_{DRV2}$  is equal to  $7.75\text{V}$  or  $V_{SUP2} - 1.5\text{V}$  (whichever is less), and  $V_{GS\_MAX}$  is the maximum gate voltage required to yield the on-resistance specified by the manufacturer's data sheet. Logic-gate MOSFETs are recommended.

### NPN-Transistor Selection

The MAX8513/MAX8514s' OUT2 can use a less expensive NPN transistor as the series pass transistor. In selecting the appropriate NPN transistor, make sure the beta is large enough so the regulator can provide enough base current. The minimum beta of the transistor is:

$$\beta_{(MIN)} = \frac{I_{OUT2(MAX)}}{4\text{mA}}$$

In addition, to avoid premature dropout,  $V_{CE\_SAT} \leq V_{IN\_MIN} - V_{OUT2}$ .

### OUT3\_ Transistor Selection

The pass transistors must meet specifications for current gain ( $\beta$ ), input capacitance, collector-emitter saturation voltage, and power dissipation. The transistor's current gain limits the guaranteed maximum output current to:

$$I_{OUT3P} = \left( I_{DRV3P\_MIN} - \frac{V_{BE}}{R_{12}} \right) \beta$$

where  $I_{DRV3P\_MIN}$  is the minimum base-drive current and  $R_{12}$  is the pullup resistor connected between the transistor's base and emitter (see the *Typical Applications Circuits*). In addition, to avoid premature dropout  $V_{CE\_SAT} \leq V_{IN\_MIN} - V_{OUT3}$ . Furthermore, the transistor's current gain increases the linear regulator's DC loop gain (see the *Stability Requirements* section), so excessive gain destabilizes the output. Therefore, transistors with current gain over 100 at the maximum output current, such as Darlington transistors, are not recommended. The transistor's input capacitance and input resistance also create a second pole, which could be low enough to destabilize the LDO when the output is heavily loaded.

The transistor's saturation voltage at the maximum output current determines the minimum input-to-output voltage differential that the linear regulator supports. Alternately,

the package's power dissipation could limit the useable maximum input-to-output voltage differential.

The maximum power-dissipation capability of the transistor's package and mounting must allow the actual power dissipation in the device without exceeding the maximum junction temperature. The power dissipated equals the maximum load current multiplied by the maximum input-to-output voltage differential.

When the MAX8513/MAX8514 are disabled, R26 discharges C7.

### OUT3P Voltage Selection (PNP)

The MAX8513 positive linear-regulator output voltage,  $V_{OUT3P}$ , is set with a resistive-divider from OUT3P to FB3P to GND. First, select R14 resistance value (below 1k $\Omega$ ). Then, solve for R13 such that:

$$R13 = R14 \left( \frac{V_{OUT3P} - 1}{0.8V} \right)$$

where  $V_{OUT3P}$  can range from +0.8V to +27V.

### OUT3N Voltage Selection (NPN)

The MAX8514's negative linear-regulator output voltage,  $V_{OUT3N}$ , is a negative regulated voltage developed through the pass transistor Q4 (MAX8514 *Typical Applications Circuits*). A resistive-divider from OUT3N to FB3N to  $V_{REF3N}$  forces  $V_{FB3N}$  to regulate to 0V. Calculate  $V_{OUT3N}$  by first selecting R14 the resistor from  $V_{REF3N}$  to FB3N to be below 5k $\Omega$ , where  $V_{REF3N}$  is any positive voltage (usually  $V_{OUT1}$ ) R13 is then calculated by:

$$R13 = \frac{-V_{OUT3N}}{V_{REF3N}} \times R14$$

SUP3N is the supply input for OUT3N's transconductance amplifier. When OUT3N is used, SUP3N must be connected to a voltage supply between 1.5V and 5.5V that can source at least 25mA. Typically,  $V_{OUT1}$  can be used as the supply input for SUP3N.

### Stability Requirements

The MAX8513/MAX8514s' DRV3P and DRV3N outputs are designed to drive bipolar transistors (PNP types for the MAX8513 with the DRV3P output, and NPN types for the MAX8514 with the DRV3N output). These bipolar transistors form linear regulators with positive outputs (MAX8513 from 0.8V to 27V) and negative outputs (MAX8514 from -18V to -1V). An internal transconductance

amplifier is used to drive the external pass transistors. The transconductance amplifier, pass transistor's specifications, the base-emitter resistor, and the output capacitor determine the loop stability.

The total DC loop gain ( $A_V$ ) is the product of the gains of the internal transconductance amplifier, the gain from base to collector of the pass transistor (Q4 in the *Typical Applications Circuits*), and the gain of the feedback divider.

The transconductance amplifier regulates the output voltage by controlling the pass transistor's base current. Its DC gain is approximately:

$$G_{C3\_} \times R_{IN} \parallel R12$$

where  $G_{C3\_}$  is typically 0.6S (OUT3P) and 0.36S (OUT3N),  $R_{IN}$  is the input resistance of Q4, and can be calculated by:

$$R_{IN} = \left( \frac{26mV}{I_{OUT3\_}} \beta \right)$$

The DC gain for the transistor (Q4), including the feedback divider, is approximately:

$$A_{Q4P} = \frac{V_{REF}}{V_T} \text{ for OUT3P or}$$

$$A_{Q4N} = \frac{V_{OUT3N} \times V_{REF3N}}{(V_{REF3N} - V_{OUT3N}) \times V_T}$$

$V_T$  is the thermal voltage for the transistor (typically 26mV at  $T_A = +27^\circ\text{C}$ ). The total DC loop gain for OUT3 $_$  is:

$$A_V = G_{C3\_} \times (R_{IN} \parallel R12) \times A_{Q4\_}$$

A dominant pole ( $f_{POLE1}$ ) is created from the output capacitance and load resistance:

$$f_{POLE1} = \frac{1}{2\pi \times C_{OUT3} \times R_{OUT3}} = \frac{I_{OUT3\_MAX}}{2\pi \times C_{OUT3} \times V_{OUT3\_}}$$

Unity-gain crossover ( $f_{C\_OUT3\_}$ ) should occur at:

$$f_{C\_OUT3\_} = A_V \times f_{POLE1}$$

A second pole is set by the input capacitance to the base of Q4 ( $C_{Q4IN}$ ), any external base-to-emitter capacitance ( $C_{BE}$ , see the *Base-Drive Noise Reduction* section and Figure 7), the transistor's input resistance ( $R_{IN}$ ), and the base-to-emitter pullup resistor (R12):

$$f_{\text{POLE2}} = \frac{1}{2\pi(C_{\text{BE}} + C_{\text{Q4IN}}) \times R_{\text{IN}} \parallel R_{\text{12}}}$$

If the second pole occurs well after unity-gain crossover, the linear regulator remains stable. If not, then increase the output capacitance  $C_{\text{OUT3}}$  (C8 in the *Typical Applications Circuits*) so that:

$$f_{\text{POLE2}} > 2 \times f_{\text{C\_OUT3\_}}$$

If high-ESR capacitors are used for the output capacitor ( $C_{\text{OUT3}}$ ), then cancel the ESR zero with a pole at FB3\_. This is accomplished by adding a capacitor ( $C_{\text{FB3\_}}$ ) from FB3\_ to GND so that:

$$C_{\text{FB3\_}} = \frac{1}{2\pi \times R_{\text{3}} \parallel R_{\text{4}} \times f_{\text{ESR}}}$$

### OUT3\_ Output Capacitors

Connect at least a 1 $\mu$ F capacitor between the linear regulator's output and ground, as close to the MAX8513/MAX8514 and the external pass transistors as possible. Depending on the selected pass transistor, larger capacitor values may be required for stability (see the *Stability Requirements* section). Once the minimum capacitor value for stability is determined, verify that the linear regulator's output does not contain excessive noise. Although adequate for stability, small capacitor values can provide too much bandwidth, making the linear regulator sensitive to noise. Larger capacitor values reduce the bandwidth, thereby reducing the regulator's noise sensitivity. For the negative linear regulator, if noise on the ground reference causes the design to be marginally stable, bypass the negative output back to its reference voltage ( $V_{\text{REF3N}}$ , Figure 6). This technique reduces the differential noise on the output. Ensure the voltage rating of the capacitor exceeds the output voltage.

### Base-Drive Noise Reduction

The high-impedance base driver is susceptible to system noise, especially when the linear regulator is lightly loaded. Capacitively coupled switching noise or inductively coupled EMI on the base drive causes fluctuations in the base current, which appear as noise on the linear regulator's output. To avoid this, keep the base-drive traces away from the step-down converter and as short as possible to minimize noise coupling. Resistors in series with the gate drivers (DH and DL) reduce the LX switching noise generated by the step-down converter. Additionally, a bypass capacitor ( $C_{\text{BE}}$ ) can be placed across the base-

to-emitter resistor (Figure 7). This bypass capacitor, in addition to the transistor's input capacitance, reduces the frequency of the second pole ( $f_{\text{POLE2}}$ ) that could destabilize the linear regulator (see the *Stability Requirements* section). Therefore, the stability requirements determine the maximum base-to-emitter capacitance ( $C_{\text{BE}}$ ) that can be added.

### Transformer Selection

In systems where the step-down controller's output (OUT1) is not the highest voltage, a transformer can be used to provide additional post-regulated, high-voltage outputs. The transformer generates unregulated high-voltage supplies that power the positive and negative linear regulators. These unregulated supply voltages must be high enough to keep the pass transistors from saturating. For positive output voltages, connect the transformer as shown in the *Typical Applications Circuits* where the minimum turns ratio ( $n_2/n_1$ ) is determined by:

$$\frac{n_2}{n_1} \geq \frac{V_{\text{OUT3\_}} + V_{\text{Q4(SAT)}} + V_{\text{D2}}}{V_{\text{OUT1}}}$$

where  $V_{\text{Q4(SAT)}}$  is OUT3P's pass transistor's saturation voltage under full load. Since power transfer occurs when the low-side MOSFET is on (DL = high), the transformer cannot support heavy loads with high duty cycles on  $V_{\text{OUT1}}$ .

### Minimum Load Requirements (Linear Regulators)

Under no-load conditions, leakage currents from the pass transistors supply the output capacitor, even when the transistor is off. Generally, this is not a problem since the feedback resistors' current drains the excess charge. However, charge can build up on the output capacitor over temperature, making  $V_{\text{OUT2/3}}$  rise above its set point. Care must be taken to ensure the feedback resistors' current exceeds the pass transistor's leakage current over the entire temperature range.

### Thermal Consideration

The power dissipated by the series pass transistor is calculated by:

$$P_{\text{D}} = (|V_{\text{IN}} - V_{\text{OUT2/3}}|) \times I_{\text{OUT2/3}}$$

where  $V_{\text{IN}}$  is the input to the transistor of the LDO and the absolute value of the difference between  $V_{\text{IN}}$  and  $V_{\text{OUT2/3}}$  is taken.  $V_{\text{IN}}$  is derived from the transformer winding ratio. The transistor must be adequately heat sunk to prevent a thermal runaway condition. Refer to the transistor data sheet for thermal calculation.

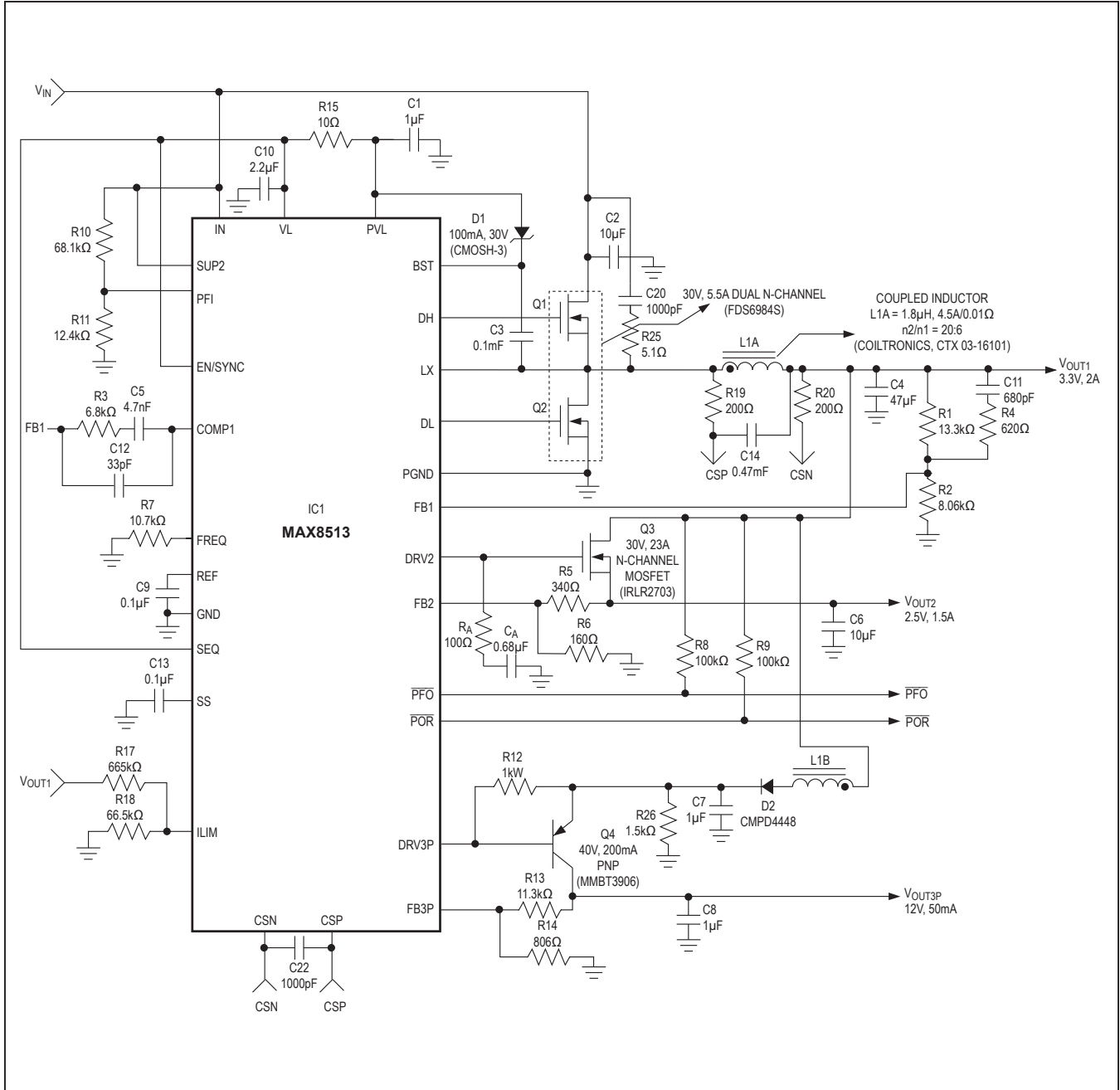


Figure 5. MAX8513 Typical Applications Circuit

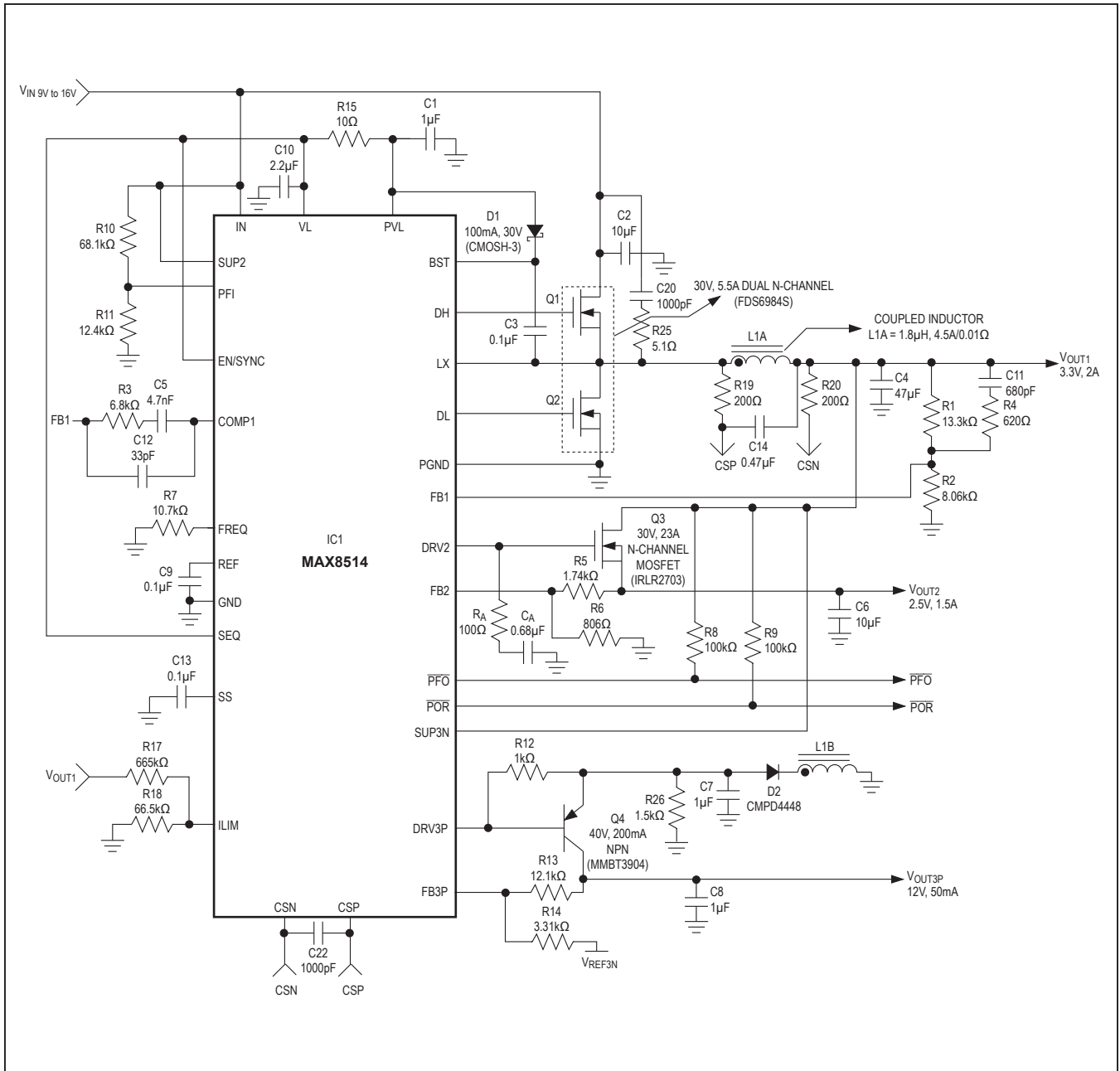


Figure 6. MAX8514 Typical Applications Circuit



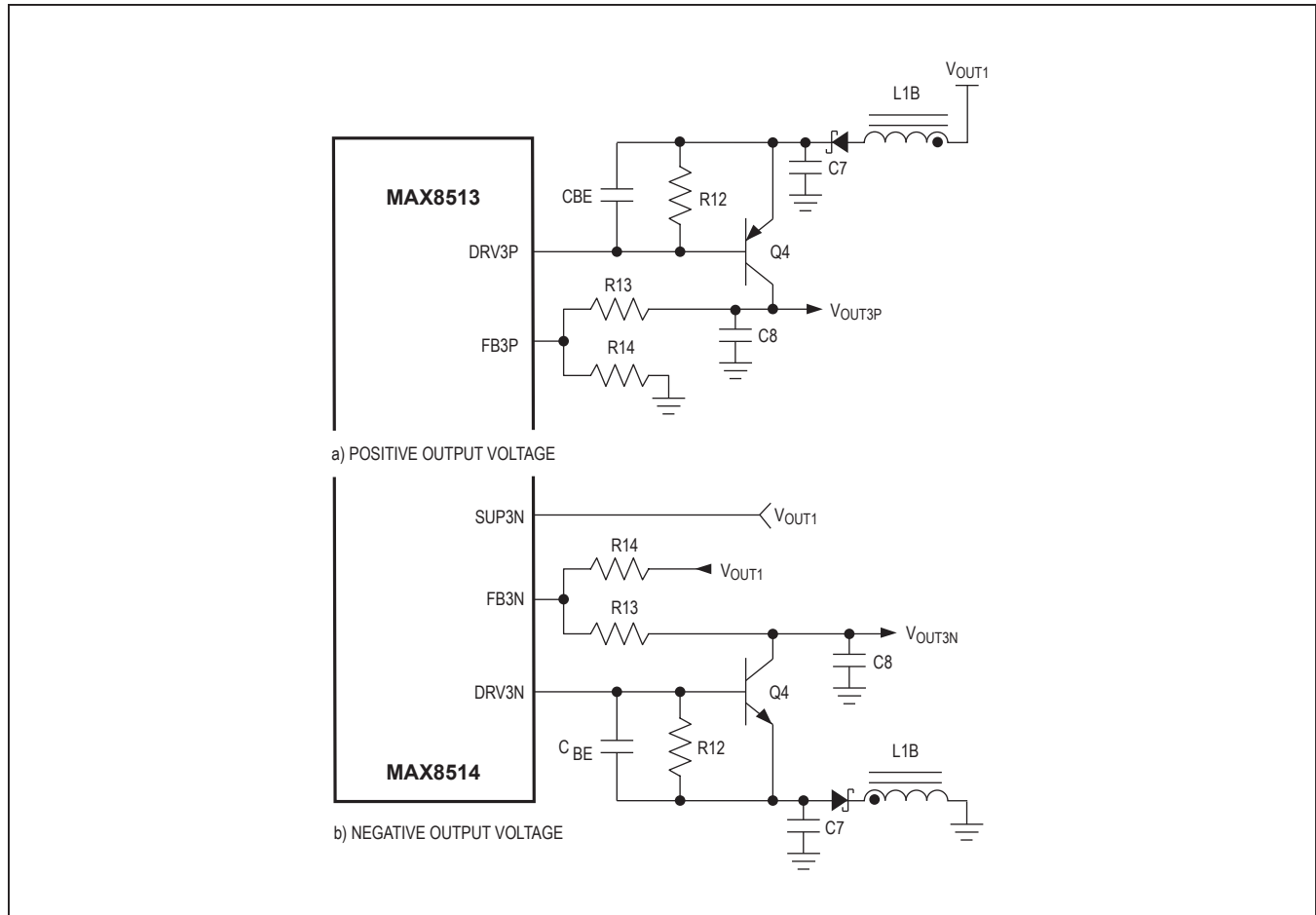


Figure 7. Base-Drive Noise Reduction

## Applications Information

### PC Board Layout Guidelines

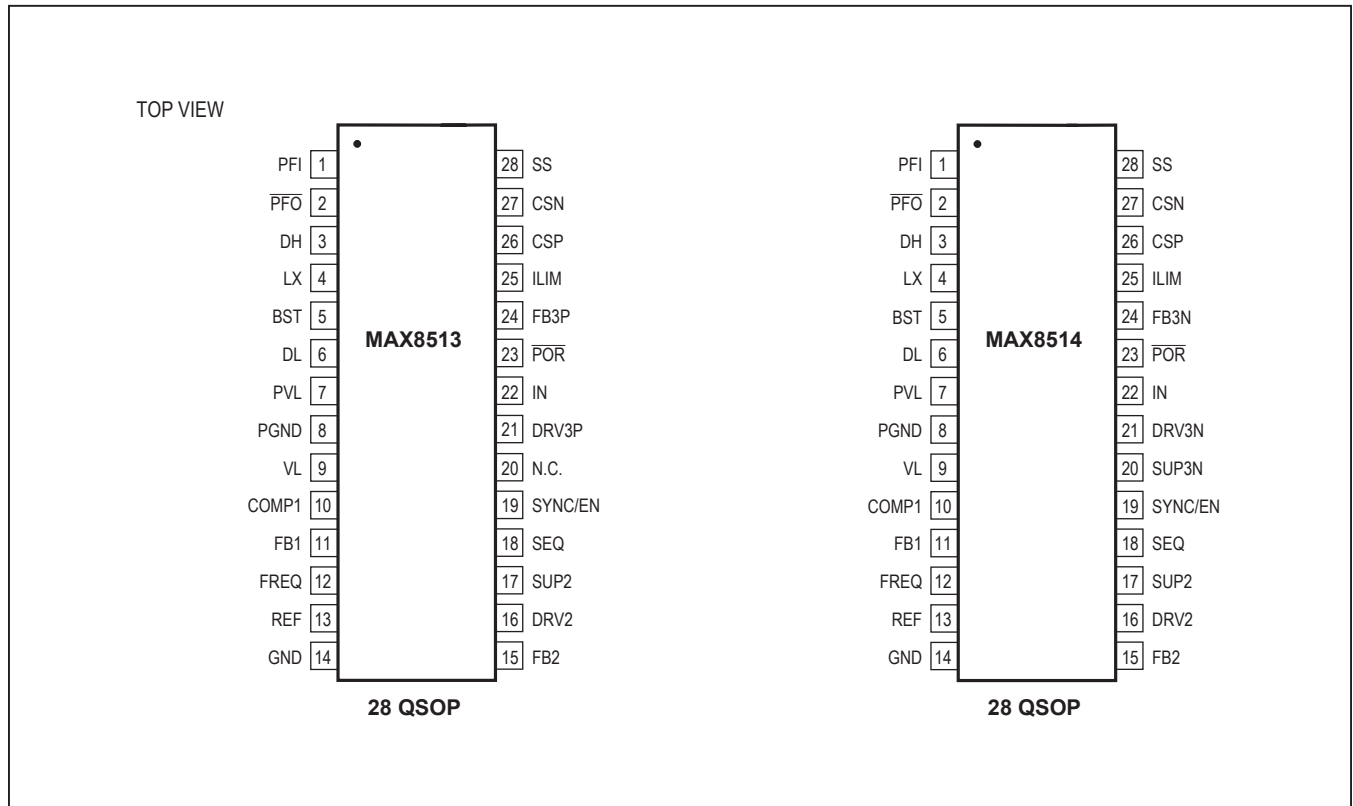
Careful PC board layout is critical to achieve low switching losses and clean, stable operation. The switching power stage requires particular attention. Follow these guidelines for good PC board layout:

Place decoupling capacitors as close to the IC pins as possible. Keep separate the power-ground plane (connect to the sources of the low-side MOSFET, PGND, and the output capacitor's return). Connect the input decoupling capacitors across the drain of the high-side MOSFETs and the source of the low-side MOSFETs. The signal-ground plane (connected to GND) is connected to the rest of the circuit-ground return. The two ground

planes then connect together with a single connection at the IC. Keep the high-current paths as short as possible. Connect the drains of the MOSFETs to a large copper area to help in cooling the devices, further improving efficiency and long-term reliability.

- 1) Ensure all feedback connections are short and direct. Place the feedback resistors as close to the IC as possible.
- 2) Route high-speed switching nodes away from sensitive analog areas (FB\_, COMP, ILIM).
- 3) Ensure the current-sense paths for CSP and CSN run parallel and close together to cancel any noise pickup.
- 4) A reference PC board layout included in the MAX8513 evaluation kit is also provided to further aid layout.

Pin Configurations



Chip Information

TRANSISTOR COUNT: 4824  
 PROCESS: BiCMOS

Package Information

For the latest package outline information and land patterns (footprints), go to [www.maximintegrated.com/packages](http://www.maximintegrated.com/packages). Note that a “+”, “#”, or “-” in the package code indicates RoHS status only. Package drawings may show a different suffix character, but the drawing pertains to the package regardless of RoHS status.

PACKAGE TYPE	PACKAGE CODE	OUTLINE NO.	LAND PATTERN NO.
28 QSOP	E28-1	<a href="#">21-0055</a>	<a href="#">90-0173</a>

## Revision History

REVISION NUMBER	REVISION DATE	DESCRIPTION	PAGES CHANGED
0	2/04	Initial release	—
1	4/14	No /V OPNs; removed Automotive reference from <i>Applications</i> section	1

For pricing, delivery, and ordering information, please contact Maxim Direct at 1-888-629-4642, or visit Maxim Integrated's website at [www.maximintegrated.com](http://www.maximintegrated.com).

*Maxim Integrated cannot assume responsibility for use of any circuitry other than circuitry entirely embodied in a Maxim Integrated product. No circuit patent licenses are implied. Maxim Integrated reserves the right to change the circuitry and specifications without notice at any time. The parametric values (min and max limits) shown in the Electrical Characteristics table are guaranteed. Other parametric values quoted in this data sheet are provided for guidance.*