

## 17 dB Coupler 5 - 300 MHz

Rev. V3

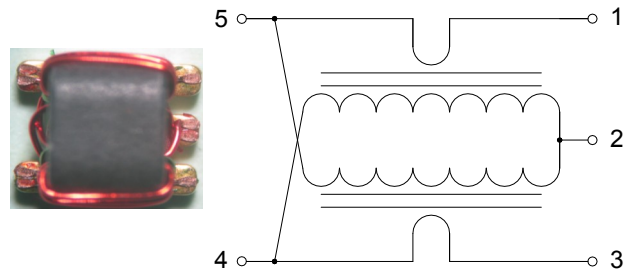
### Features

- 17 dB Coupling ratio
- Surface Mount Package
- Available on Tape and Reel
- 260° Reflow Compatible
- RoHS Compliant and Lead-Free
- Excellent Temperature Stability
- Can be used on 50  $\Omega$  and 75  $\Omega$  Systems
- Suitable for all CATV, Broadband and FTTX Applications.

### Description

The MACP-010507-CH0160 is a 17 dB coupler in a surface mount package. Ideally suited for CATV broadband applications.

### Functional Schematic



### Pin Configuration

Pin #	Function	Pin #	Function
1	Output	4	Coupled
2	Ground	5	Input
3	Isolated		

### Electrical Specifications: Freq. = 5 - 300 MHz, $T_A = 25^\circ\text{C}$ , $Z_0 = 75 \Omega$ , $P_{IN} = 0 \text{ dBm}$

Parameter	Freq. Test Conditions (MHz)	Units	Min.	Typ.	Max.
Coupling Ratio	—	dB	—	17	—
Coupling (Pin5-4)	5 - 120 120 - 300	dB	16.0 16.5	17 17	18.0 17.5
Coupling Flatness	5 - 120 120 - 300	dB	—	—	0.4 0.2
Main Line Loss (Pin5-1)	5 - 120 120 - 300	dB	—	0.4 0.4	0.8 0.5
Directivity	5 - 120 120 - 300	dB	16.0 12.5	19 19	—
Input Return Loss (Pin5)	5 - 120 120 - 300	dB	20 20	31 31	—
Output Return Loss (Pin1)	5 - 120 120 - 300	dB	20 20	27 27	—
Coupling Return Loss (Pin4)	5 - 120 120 - 300	dB	20 20	31 31	—

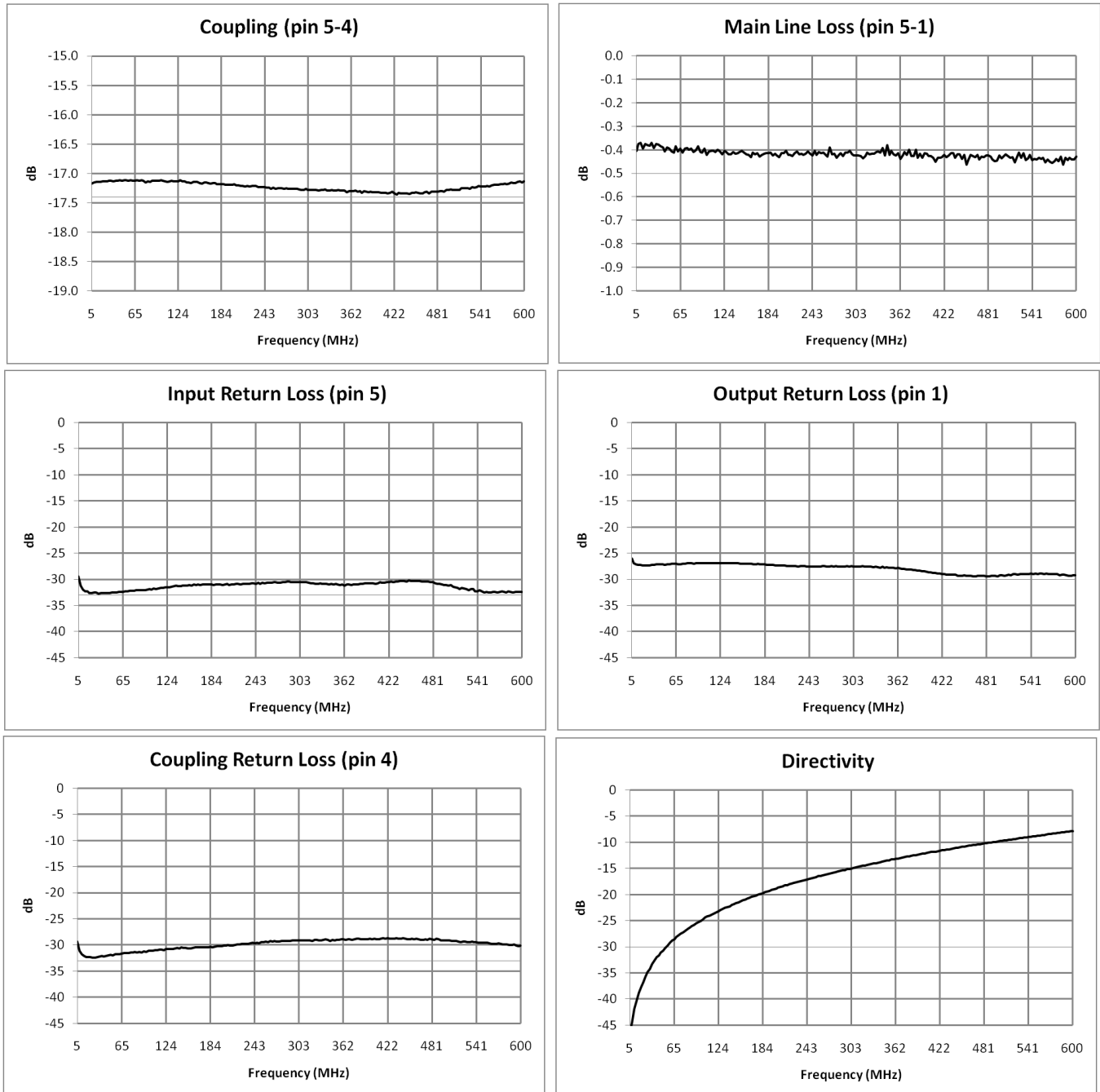
### Ordering Information

Part Number	Package
MACP-010507-CH0160	2000 piece reel
MACP-010507-CH01TB	customer test board

### Recommended Maximum Ratings

Parameter	Units
Input RF Power	0.5 W
DC Current	500 mA
Operating Temperature	-40°C to +85°C

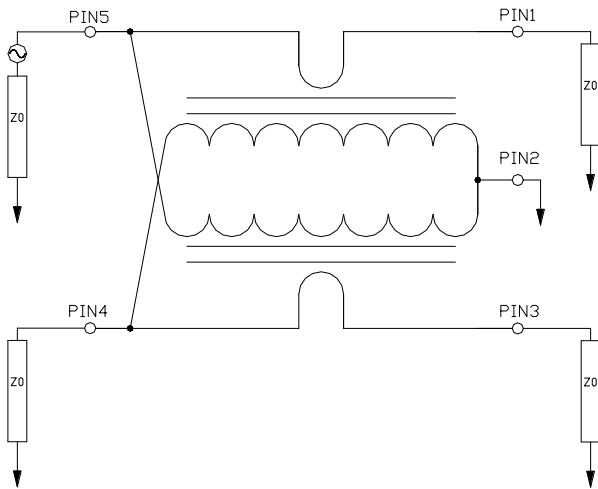
## Typical Performance Curves



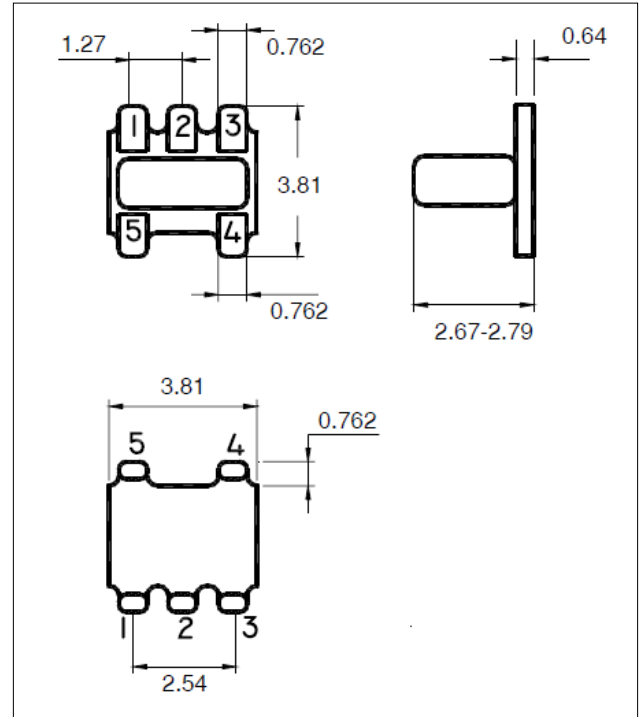
17 dB Coupler  
5 - 300 MHz

Rev. V3

## Application Circuit

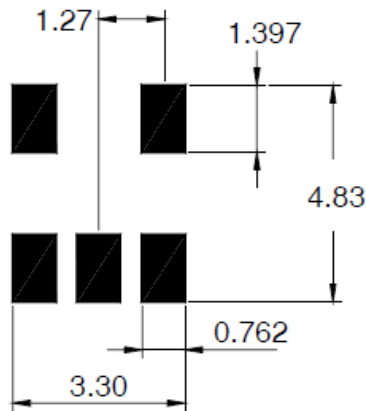


## Outline Drawing



1. Dimensions in mm.
2. Tolerance:  $\pm 0.2$  mm unless otherwise noted.
3. Model number and lot code are printed on the reel.
4. Lead plating (CuSn6) Lead finish SAC-305.

## PCB Footprint



## Tape & Reel Information

Parameter	Units	Value
Qty per reel	-	2000
Reel Size	mm	330
Tape Width	mm	12.00
Pitch	mm	8.00
Ao	mm	4.00
Bo	mm	4.00
Ko	mm	2.90
Orientation	-	F5
Reference Application Note ANI-019 for orientation		

MACOM Technology Solutions Inc. All rights reserved.

Information in this document is provided in connection with MACOM Technology Solutions Inc ("MACOM") products. These materials are provided by MACOM as a service to its customers and may be used for informational purposes only. Except as provided in MACOM's Terms and Conditions of Sale for such products or in any separate agreement related to this document, MACOM assumes no liability whatsoever. MACOM assumes no responsibility for errors or omissions in these materials. MACOM may make changes to specifications and product descriptions at any time, without notice. MACOM makes no commitment to update the information and shall have no responsibility whatsoever for conflicts or incompatibilities arising from future changes to its specifications and product descriptions. No license, express or implied, by estoppel or otherwise, to any intellectual property rights is granted by this document.

THESE MATERIALS ARE PROVIDED "AS IS" WITHOUT WARRANTY OF ANY KIND, EITHER EXPRESS OR IMPLIED, RELATING TO SALE AND/OR USE OF MACOM PRODUCTS INCLUDING LIABILITY OR WARRANTIES RELATING TO FITNESS FOR A PARTICULAR PURPOSE, CONSEQUENTIAL OR INCIDENTAL DAMAGES, MERCHANTABILITY, OR INFRINGEMENT OF ANY PATENT, COPYRIGHT OR OTHER INTELLECTUAL PROPERTY RIGHT. MACOM FURTHER DOES NOT WARRANT THE ACCURACY OR COMPLETENESS OF THE INFORMATION, TEXT, GRAPHICS OR OTHER ITEMS CONTAINED WITHIN THESE MATERIALS. MACOM SHALL NOT BE LIABLE FOR ANY SPECIAL, INDIRECT, INCIDENTAL, OR CONSEQUENTIAL DAMAGES, INCLUDING WITHOUT LIMITATION, LOST REVENUES OR LOST PROFITS, WHICH MAY RESULT FROM THE USE OF THESE MATERIALS.

MACOM products are not intended for use in medical, lifesaving or life sustaining applications. MACOM customers using or selling MACOM products for use in such applications do so at their own risk and agree to fully indemnify MACOM for any damages resulting from such improper use or sale.