

MA4VAT907-1061T



High IIP3 PIN Diode Variable Attenuator 0.8 - 1.0 GHz

Rev. V4

Features

- Bandwidth: 0.80 GHz to 1.0 GHz
- 1.0 dB Insertion Loss, Typical
- 12 dB Return Loss, Typical
- 25 dB Attenuation, Typical
- 50 dBm Input IP3, Typical (1MHz Offset, @+0dBm Pinc)
- 0 – 3.0 Volts Control Voltage @3.3mA Typical
- RoHs Compliant

Extra Features

- Covers the following Bands:
 - GSM
 - AMPS
- Usable Bandwidth: 0.60 GHz to 1.20 GHz
- 1.5 dB Insertion Loss, Typical
- 1.8:1 VSWR, Typical
- 18.5 dB Attenuation, Typical

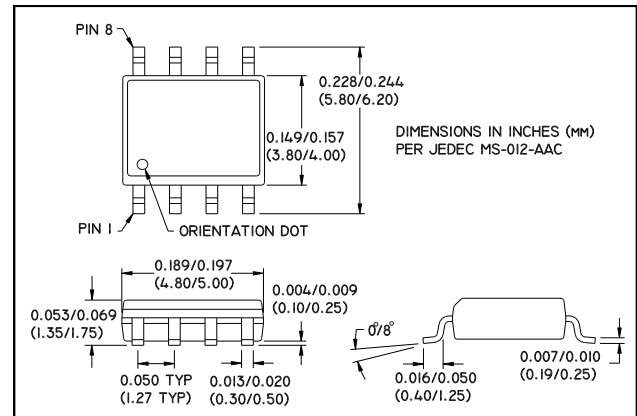
Description and Applications

M/A-COM's MA4VAT907-1061T is a HMIC PIN Diode Variable Attenuator which utilizes an integrated 90 degree 3dB hybrid with a pair of Silicon PIN Diodes to perform the required attenuation function as D.C. Voltage (Current) is applied.

This device operates from 0 to 2.77Volts at 3.0mA typical control current for maximum attenuation. The user can add external biasing resistors to the bias ports for higher voltage requirements as required.

M/A-COM's MA4VAT907-1061T PIN Diode Variable Attenuator is designed for AGC Circuit Applications requiring:

- Lower Insertion Loss
- Lower distortion through attenuation
- Larger dynamic range for wide spread spectrum applications



SOIC-8 PIN Configuration (Topview)

PIN	Function	Comments
1	DC1	
2	GND	
3	GND	
4	RFin/out	Symmetrical as RF Input/Ouput
5	RFout/in	Symmetrical as RF Input/Ouput
6	GND	
7	GND	
8	DC2	

Absolute Maximum Ratings @ +25 °C ^{1,2}

Parameter	Maximum Ratings
Operating Temperature	-40 °C to +85 °C
Storage Temperature	-65 °C to +150 °C
Junction Temperature	+175 °C
RF C.W. Incident Power	+33 dBm C.W.
Reversed Current @ -30 V	50nA
Control Current	50 mA per Diode

1. All the above values are at +25 °C, unless otherwise noted.
2. Exceeding these limits may cause permanent damage.

MA4VAT907-1061T



High IIP3 PIN Diode Variable Attenuator 0.8 - 1.0 GHz

Rev. V4

Electrical Specifications @ +25 °C

Parameter	Frequency Band	Unit	Min	Typ	Max
Low Loss RF Parameter (Pin = +10 dBm, except for P1dB, & IP3)					
Insertion Loss	0.80 GHz—1.00 GHz	dB	-	1.0	1.2
Input Return Loss		dB	11	12	-
Output Return Loss		dB	11	12	-
P1dB		dBm	30	-	-
Input IP3		dBm	45	49	-
Control Voltage		V	-	0 V @ 0uA	-
Maximum Attenuation RF Parameter (Pin = +10 dBm, except for P1dB, & IP3)					
Maximum Attenuation	0.80 GHz—1.00 GHz	dB	18.5	24	-
Input Return Loss @ Max Attenuation		dB	15	21	-
Output Return Loss @ Max Attenuation		dB	15	21	-
Input IP3		dBm	36	39	-
Control Voltage @ Max Attenuation		V	-	3.0 V @ 3.35 mA	-

Typical RF Performance Over Industry Designated RF Frequency Bands

Band		Freq	I. Loss	Att.	R. Loss	IIP3	Phase -Relative-
		(MHz)	(dB)	(dB)	(dB)	(dBm)	(Degree)
AMPS	RX	824-849	0.9	22	12	50	-15°
	TX	869-894	0.9	22	12	50	
GSM	RX	880-915	1.2	20	11	50	-20°
	TX	925-960	1.2	20	11	50	

- All are typical values only.
- Relative phase is the measured Insertion Phase difference between Insertion Loss and 15 dB Attenuation. (Please refer to the plots below)

ADVANCED: Data Sheets contain information regarding a product M/A-COM Technology Solutions is considering for development. Performance is based on target specifications, simulated results, and/or prototype measurements. Commitment to develop is not guaranteed.

PRELIMINARY: Data Sheets contain information regarding a product M/A-COM Technology Solutions has under development. Performance is based on engineering tests. Specifications are typical. Mechanical outline has been fixed. Engineering samples and/or test data may be available. Commitment to produce in volume is not guaranteed.

- **North America** Tel: 800.366.2266 / Fax: 978.366.2266
 - **Europe** Tel: 44.1908.574.200 / Fax: 44.1908.574.300
 - **Asia/Pacific** Tel: 81.44.844.8296 / Fax: 81.44.844.8298
- Visit www.macomtech.com for additional data sheets and product information.

M/A-COM Technology Solutions Inc. and its affiliates reserve the right to make changes to the product(s) or information contained herein without notice.

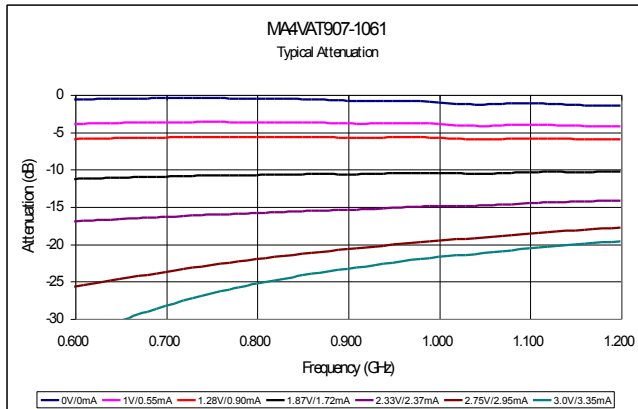
MA4VAT907-1061T

High IIP3 PIN Diode Variable Attenuator 0.8 - 1.0 GHz

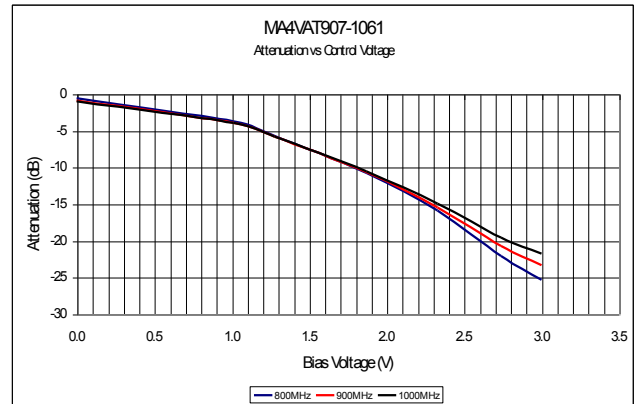
Rev. V4

Plots of Typical RF Characteristics @ +25 °C

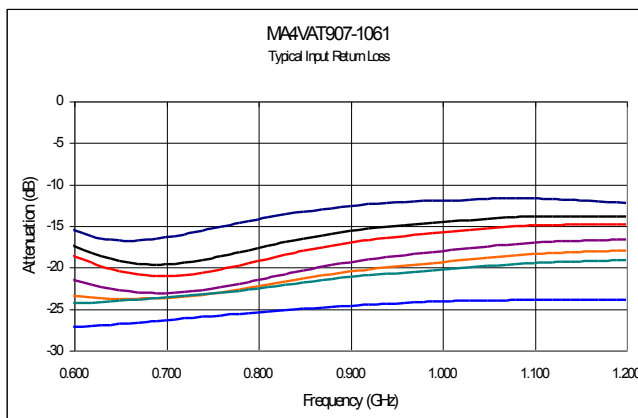
Typical Insertion Loss & Attenuation Plot



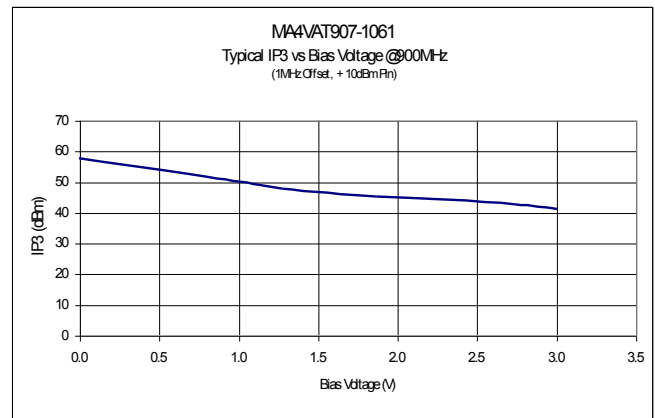
Typical Attenuation vs Voltage



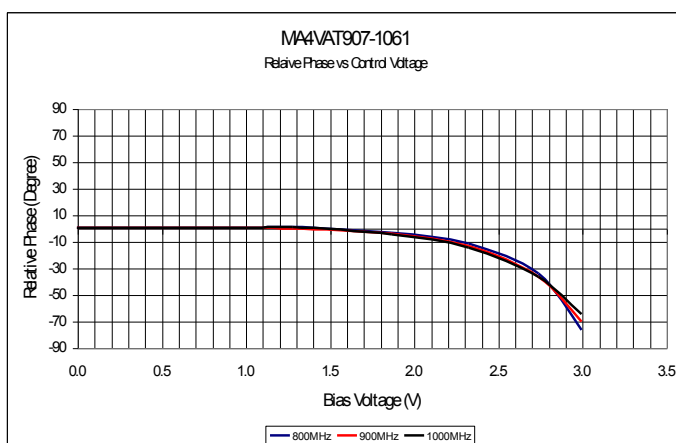
Typical Return Loss @ All Attenuation Levels Plot



Typical IIP3 vs Attenuation Plot



Typical Relative Phase Shift Per Attenuation (Voltage)



For Reference ONLY:

- Insertion Loss = 0.00 V @ 0.00 mA
- 5dB Attenuation = 1.30 V @ 0.95 mA
- 10dB Attenuation = 1.94 V @ 1.78 mA
- 15dB Attenuation = 2.36 V @ 2.42 mA
- 20dB Attenuation = 2.67 V @ 2.90 mA
- Max Attenuation = 2.77 V @ 3.00 mA

ADVANCED: Data Sheets contain information regarding a product M/A-COM Technology Solutions is considering for development. Performance is based on target specifications, simulated results, and/or prototype measurements. Commitment to develop is not guaranteed.
PRELIMINARY: Data Sheets contain information regarding a product M/A-COM Technology Solutions has under development. Performance is based on engineering tests. Specifications are typical. Mechanical outline has been fixed. Engineering samples and/or test data may be available. Commitment to produce in volume is not guaranteed.

• **North America** Tel: 800.366.2266 / Fax: 978.366.2266
 • **Europe** Tel: 44.1908.574.200 / Fax: 44.1908.574.300
 • **Asia/Pacific** Tel: 81.44.844.8296 / Fax: 81.44.844.8298
 Visit www.macomtech.com for additional data sheets and product information.
 M/A-COM Technology Solutions Inc. and its affiliates reserve the right to make changes to the product(s) or information contained herein without notice.

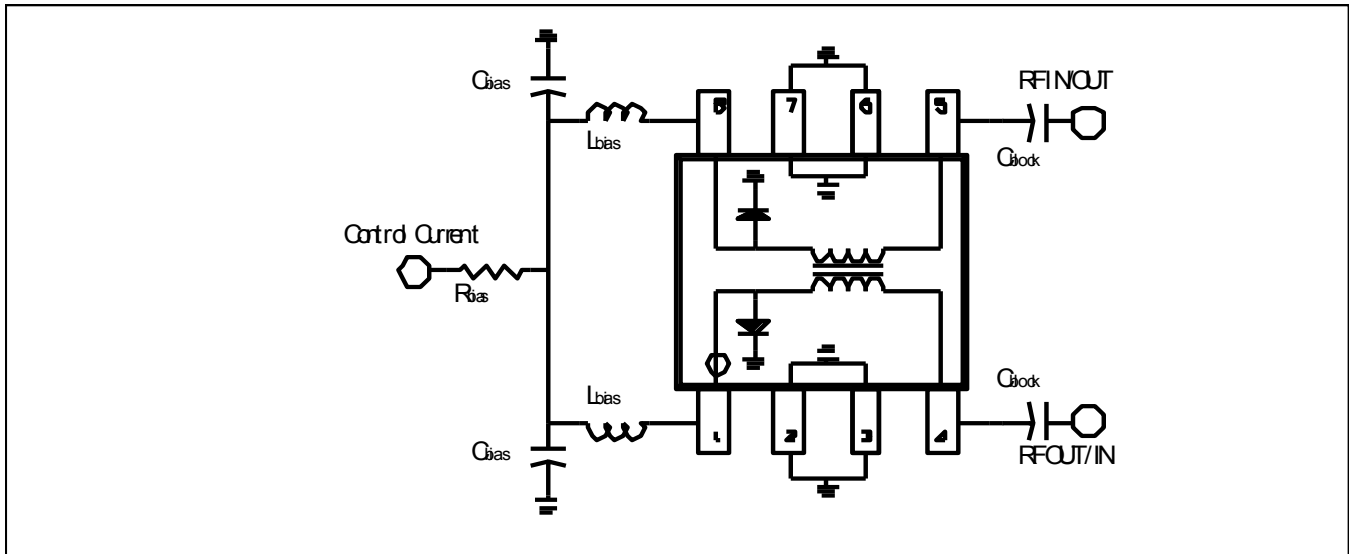
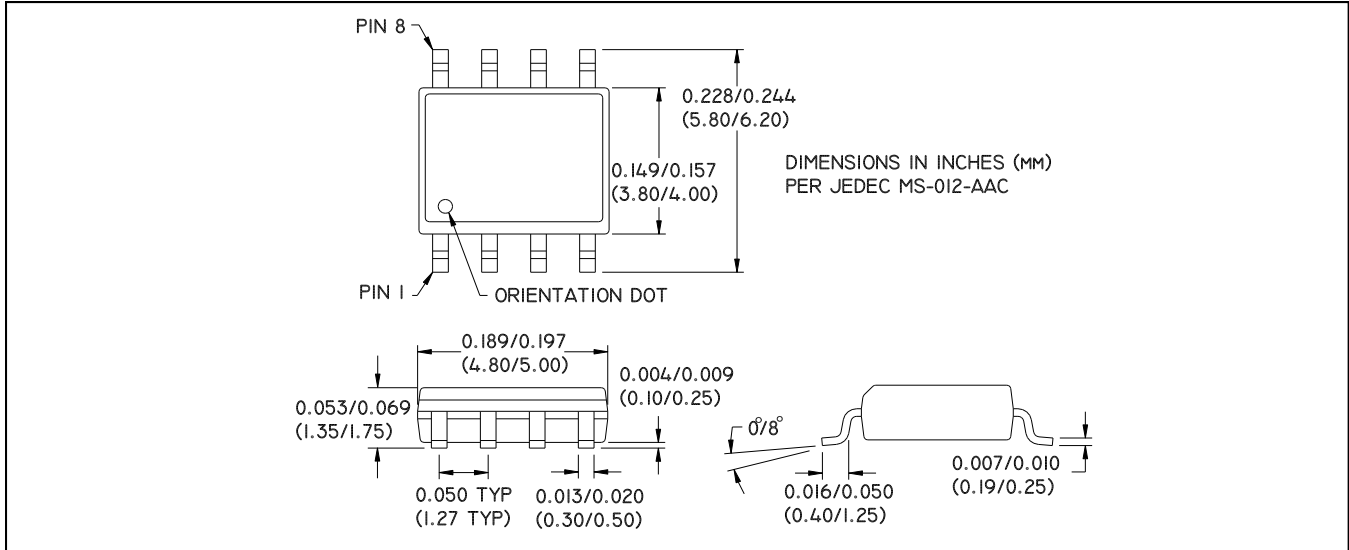
MA4VAT907-1061T



High IIP3 PIN Diode Variable Attenuator
0.8 - 1.0 GHz

Rev. V4

Package PIN Designation, External Components, and Equivalent Circuit



External Bias Components

$R_{bias} = 680 \text{ Ohms (} 3.0 \text{ V @ } 3.5 \text{ mA)}$
 $L_{bias} = 150 \text{ nH}$
 $C_{bias} = 100 \text{ pF}$
 $C_{block} = 100 \text{ pF}$

ADVANCED: Data Sheets contain information regarding a product M/A-COM Technology Solutions is considering for development. Performance is based on target specifications, simulated results, and/or prototype measurements. Commitment to develop is not guaranteed.
PRELIMINARY: Data Sheets contain information regarding a product M/A-COM Technology Solutions has under development. Performance is based on engineering tests. Specifications are typical. Mechanical outline has been fixed. Engineering samples and/or test data may be available. Commitment to produce in volume is not guaranteed.

- **North America** Tel: 800.366.2266 / Fax: 978.366.2266
- **Europe** Tel: 44.1908.574.200 / Fax: 44.1908.574.300
- **Asia/Pacific** Tel: 81.44.844.8296 / Fax: 81.44.844.8298

Visit www.macontech.com for additional data sheets and product information.

M/A-COM Technology Solutions Inc. and its affiliates reserve the right to make changes to the product(s) or information contained herein without notice.