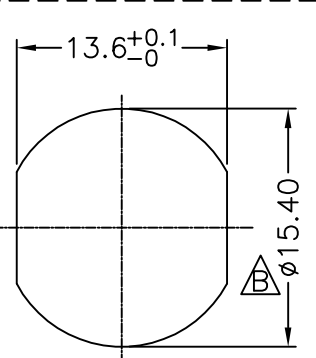
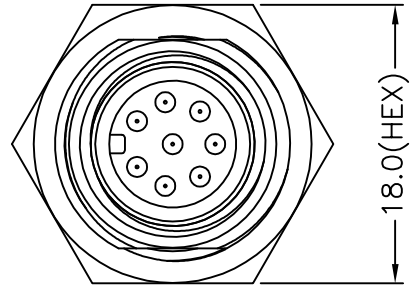
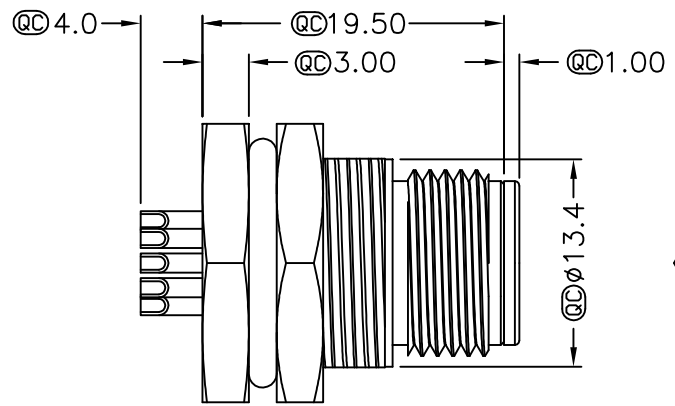
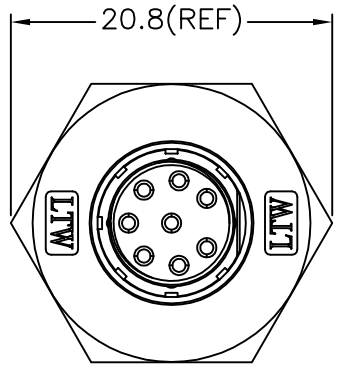
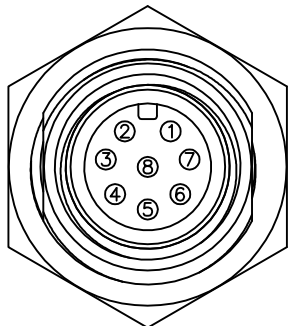


REV.	ECN NO.	DATE	SIGN	DESCRIPTION
B	LEN-750140	2007/05/09	Jason	Change Panel Cut-Out
C	LEN-7A0025	2007/10/01	Rommel A. Vergara	Add Note

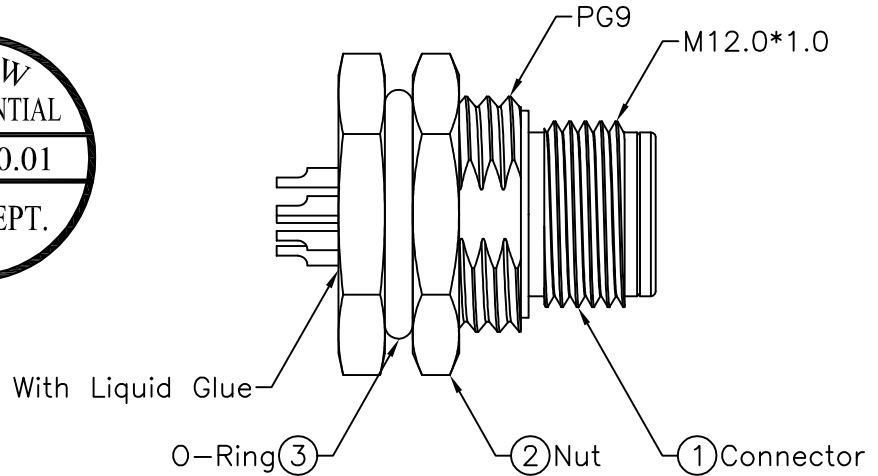
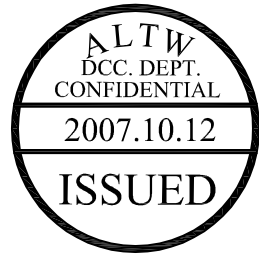
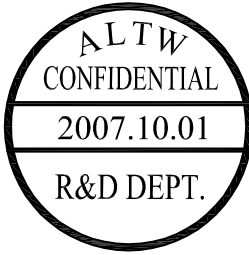
THIS DOCUMENT IS SUBJECT TO CHANGE WITHOUT NOTICE. IT IS CONFIDENTIAL AND A PROPERTY OF Amphenol LTW. DISCLOSURE TO THIRD PARTY HAS TO BE AUTHORIZED BY Amphenol LTW.



Recommended Panel Cut-Out



Pin Assignments Front View



- Note:
- \* @C Important Dimension.
  - \* Waterproof Rate: IP68
  - \* Housing: Black, Nylon+GF
  - \* Male Pin: Copper Alloy, Gold Plated
  - \* Shield: Zinc Alloy, Nickel Plated
  - \* Nut: Zinc Alloy, Nickel Plated
  - \* O-Ring: Black, EPDM
  - \* For Panel Thickness Max 4.5mm
  - \* Nut Torque: 4-6 kgf.cm

UNIT:mm		TITLE M12 Conn Panel Screw 8Pin M Conn M Pin	<b>Amphenol LTW</b> 安費諾亮泰企業股份有限公司		ITEM NO 12-08PMMS-SF8001	DRAWN BY Rommel A. Vergara	DATE 2007/10/01
TOLERANCE .X ±0.25 .XX ±0.1 .XXX ±0.05 ANGLES ±1°	SCALE Free	SHEET 1 OF 1	SHEET 1 OF 1		DWG NO 12-08PMMS-SF8001	CHECKED BY Alan MJ Sundo	DATE 2007/10/01
REV. C	SIZE A4	@C :Inspection Item	CUSTOMER ALTW		APPROVED BY Cloud	DATE 2007/10/04	8 FMWIG02-01-01A2