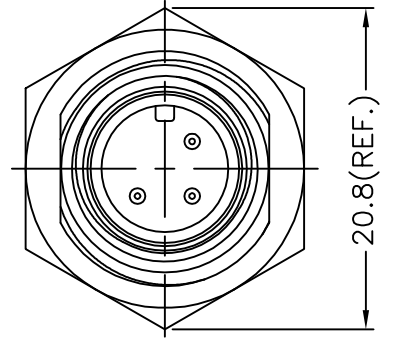
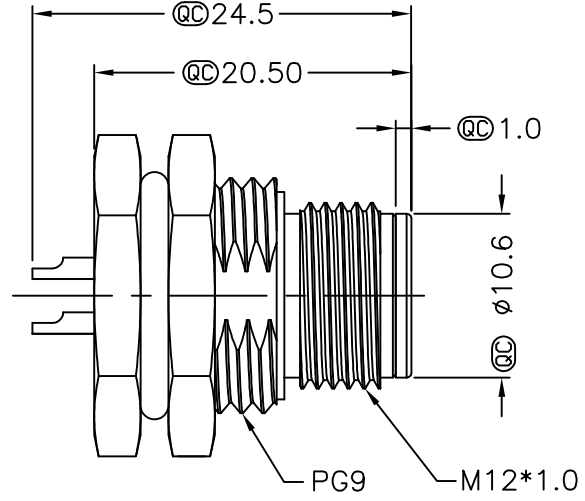
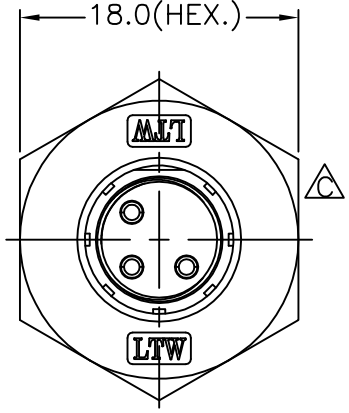


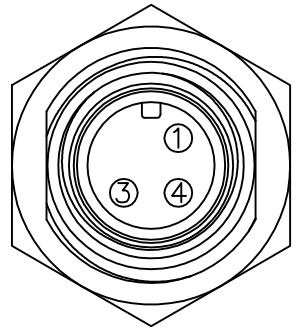
REV.	ECN NO.	DATE	SIGN	DESCRIPTION
B	LEN-7A0022	2007/09/29	Myrdal	Added Note
C	LEN-8B0598	2008/11/03	Li Xiu Zhi	Change View

THIS DOCUMENT IS SUBJECT TO CHANGE WITHOUT NOTICE. IT IS CONFIDENTIAL AND A PROPERTY OF Amphenol LTW. DISCLOSURE TO THIRD PARTY HAS TO BE AUTHORIZED BY Amphenol LTW.

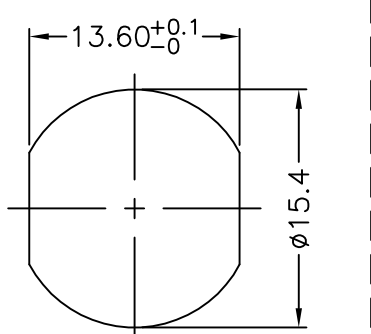
ALTW
DCC. DEPT.
CONFIDENTIAL
2008.11.17
ISSUED



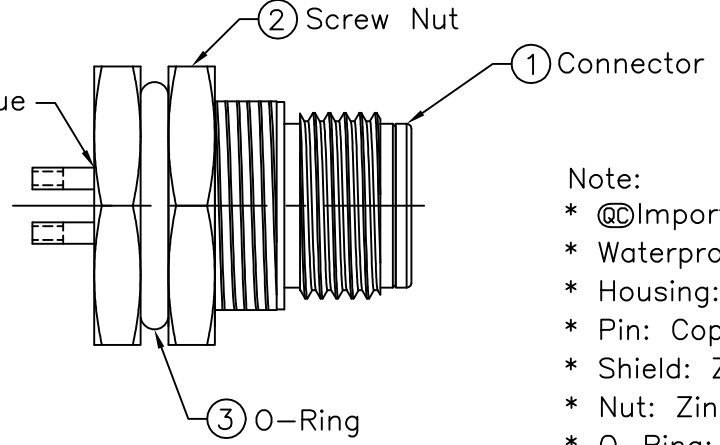
ALTW
CONFIDENTIAL
2008.11.03
R&D DEPT.



Pin Assignments
Front View



Recommended Panel Cut-Out



- Note:
- * @C Important Dimension.
 - * Waterproof Rate: IP68
 - * Housing: Black, Nylon+GF
 - * Pin: Copper Alloy, Gold Plated
 - * Shield: Zinc Alloy, Nickel Plated
 - * Nut: Zinc Alloy, Nickel Plated
 - * O-Ring: Black, EPDM
 - * For Panel Thickness Max 4.5mm
 - * Nut Torque: 4-6 kgf.cm

UNIT:mm	
TOLERANCE	
.X	±0.25
.XX	±0.1
.XXX	±0.05
ANGLES	±1°

TITLE	M12 Conn	
	Panel Screw 3Pin M Conn M Pin	
SCALE	Free	SHEET 1 OF 1
REV. C	SIZE A4	@C :Inspection Item

Amphenol LTW
安費諾亮泰企業股份有限公司

ITEM NO	12-03PMMS-SF8001
DWG NO	12-03PMMS-SF8001
CUSTOMER	ALTW

DRAWN BY	Li Xiu Zhi
CHECKED BY	Sunny
APPROVED BY	Win

DATE	2008/11/03
DATE	2008/11/05
DATE	2008/11/07