

LF SERIES CLASS H/K5 AND R FUSE BLOCKS

250 V • 600 V



Description

The Littelfuse Class H/K5 and R blocks offer many benefits such as indication, snap-to-release DIN rail mounting and universal mounting holes. Class H and Class R fuse blocks are dimensionally the same, but Class R blocks incorporate a rejection feature, which only allows Class R fuses to be inserted.

Features/Benefits

- Universal mounting holes for easy replacement
- Indication offered on most 250 V and 600 V versions
- One hand release from DIN rail for ferrule style fuses
- Reinforced fuse clips are standard on all Class H and Class R fuse blocks
- Covers available for 100 A and lower to enhance safety

Specifications

Voltage Rating	250 V, 600 V
Ampere Ratings	0-600 A
Leakage Current	<0.6 mA at 600 V
Withstand Rating	Class H: 10 kA RMS SYM Class R: 200 kA RMS SYM
Flammability Rating	UL94 V-0
Approvals	UL Listed (File: E14721) CSA Certified (File: LR7316)
Environmental	RoHS Compliant, Lead (Pb) Free

Web Resources

Sample requests, downloadable CAD drawings and other technical information: littelfuse.com/lfh
littelfuse.com/lfr

Recommended Fuses

- Class H/K5 Blocks – 250 V**
NLN
- Class R Blocks – 250 V**
FLNR/FLNR_ID, KLN, LLNRK
- Class H/K5 Blocks – 600 V**
NLS
- Class R Blocks – 600 V**
FLSR/FLSR_ID, KLSR, LLSRK/LLSRK_ID, IDSR

Ordering Information (Class H 250 V)

AMP RATING	POLES	ORDERING NUMBER				TORQUE	TERMINAL	WIRE RANGE	WIRE TYPE	BASE TEMP RATING	DIN RAIL	INDICATION	COVER ORDERING NUMBER*
		BASE PART NUMBER	BOX LUG	SUFFIX PRESSURE PLATE	SCREW								
30	1	LFH250301	C	P	S	2.8 N-m (25 in-lbs)	C	6-14 AWG	CU Only	125°C	•	—	LFH25030FBC
	2	LFH250302	C	P	S		P	10-14 AWG					
	3	LFH250303	C	P	S		S	10-22 AWG					
60	1	LFH250601	CID	—	—	5.6 N-m (50 in-lbs)	2-4 AWG		CU-AL	125°C	•	•	LFH25060FBC
	2	LFH250602	CID	—	—		6-14 AWG						
	3	LFH250603	CID	—	—		2/0-6 AWG						
100	1	LFH251001	CID	—	—	13.6 N-m (120 in-lbs) 4.5 N-m (40 in-lbs) 4.0 N-m (35 in-lbs)	8 AWG	CU-AL Solid/ Stranded	130°C	—	•	LFH25100FBC	
	3	LFH251003	CID	—	—		10-14 AWG						
	1	LFH252001	C	—	—		250 kcmil-6						CU-AL
3	LFH252003	C	—	—	31.1 N-m (275 in-lbs)								
400	1	LFH254001	C	—		—	31.1 N-m (275 in-lbs)	(2) 350 kcmil-1/0	CU-AL	130°C	—	—	—
	3	LFH254003	C	—	—								
600	1	LFH256001	C	—	—	42.4 N-m (375 in-lbs)	(2) 500 kcmil-4	CU-AL	130°C	—	—	—	
	3	LFH256003	C	—	—								

Note: Reinforcing springs standard on all Class H fuse blocks. *Covers sold individually. One cover needed for each pole.

LF SERIES CLASS H/K5 AND R FUSE BLOCKS

Ordering Information (Class H 600 V)

AMP RATING	POLES	ORDERING NUMBER			TORQUE	TERMINAL	WIRE RANGE	WIRE TYPE	BASE TEMP RATING	SNAP TO RELEASE	INDICATION	COVER ORDERING NUMBER*		
		BASE ORDERING NUMBER	BOX LUG	SUFFIX PRESSURE PLATE									SCREW	
30	1	LFH600301	CID	PID	SID	2.8 N-m (25 in-lbs)	C	6-14 AWG	CU Only	130°C	•	•	LFH60030FBC	
	2	LFH600302	CID	PID	SID		P	10-14 AWG						
	3	LFH600303	CID	PID	SID		S	10-22 AWG						
60	1	LFH600601	CID	—	—	5.6 N-m (50 in-lbs)	2-4 AWG		CU-AL	130°C	•	•	LFH60060FBC	
	2	LFH600602	CID	—	—		2.8 N-m (25 in-lbs)	6-14AWG						
	3	LFH600603	CID	—	—									
100	1	LFH601001	CID	—	—	13.6 N-m (120 in-lbs)	2/0-6AWG		CU-AL	130°C	—	•	LFH60100FBC	
	3	LFH601003	CID	—	—		4.5 N-m (40 in-lbs)	8 AWG						
							4.0 N-m (35 in-lbs)	10-14 AWG						
200	1	LFH602001	C	—	—	31.1 N-m (275 in-lbs)	250 kcmil-6		CU-AL	130°C	—	—	—	
	3	LFH602003	C	—	—									
400	1	LFH604001	C	—	—	31.1 N-m (275 in-lbs)	(2) 350 kcmil-1/0		CU-AL	130°C	—	—	—	
	3	LFH604003	C	—	—									
600	1	LFH606001	C	—	—	42.4 N-m (375 in-lbs)	(2) 500 kcmil-4		CU-AL	130°C	—	—	—	
	3	LFH606003	C	—	—									

Note: Reinforcing springs standard on all Class H fuse blocks.

Ordering Information (Class R 250 V)

AMP RATING	POLES	ORDERING NUMBER			TORQUE	TERMINAL	WIRE RANGE	WIRE TYPE	BASE TEMP RATING	SNAP TO RELEASE	INDICATION	COVER ORDERING NUMBER*		
		BASE ORDERING NUMBER	BOX LUG	SUFFIX PRESSURE PLATE									SCREW	
30	1	LFR250301	C	P	S	2.8 N-m (25 in-lbs)	C	6-14 AWG	CU Only	125°C	•	—	LFH25030FBC	
	2	LFR250302	C	P	S		P	10-14 AWG						
	3	LFR250303	C	P	S		S	10-22 AWG						
60	1	LFR250601	CID	—	—	5.6 N-m (50 in-lbs)	2-4 AWG		CU-AL	125°C	•	•	LFH25060FBC	
	2	LFR250602	CID	—	—		2.8 N-m (25 in-lbs)	6-14 AWG						
	3	LFR250603	CID	—	—									
100	1	LFR251001	CID	—	—	13.6 N-m (120 in-lbs)	2/0-6 AWG		CU-AL	130°C	—	•	LFH25100FBC	
	3	LFR251003	CID	—	—		4.5 N-m (40 in-lbs)	8 AWG						
							4.0 N-m (35 in-lbs)	10-14 AWG						
200	1	LFR252001	C	—	—	31.1 N-m (275 in-lbs)	250 kcmil-6		CU-AL	130°C	—	—	—	
	3	LFR252003	C	—	—									
400	1	LFR254001	C	—	—	31.1 N-m (275 in-lbs)	(2) 350 kcmil-1/0		CU-AL	130°C	—	—	—	
	3	LFR254003	C	—	—									
600	1	LFR256001	C	—	—	42.4 N-m (375 in-lbs)	(2) 500 kcmil-4		CU-AL	130°C	—	—	—	
	3	LFR256003	C	—	—									

Note: Reinforcing springs standard on all Class R fuse blocks.

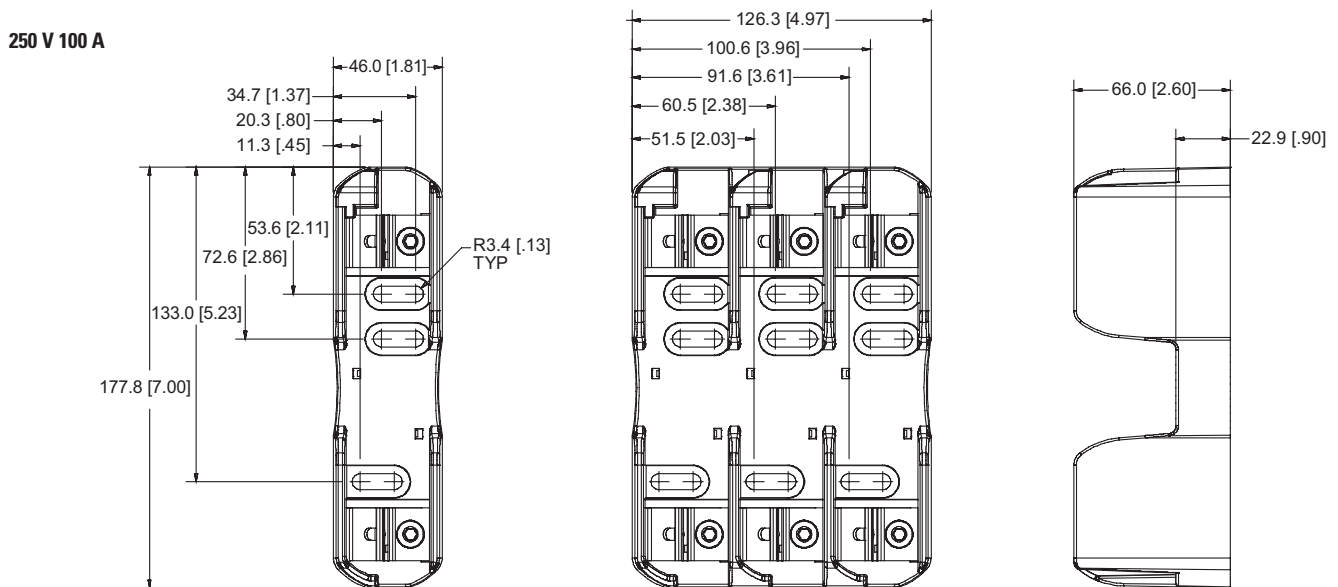
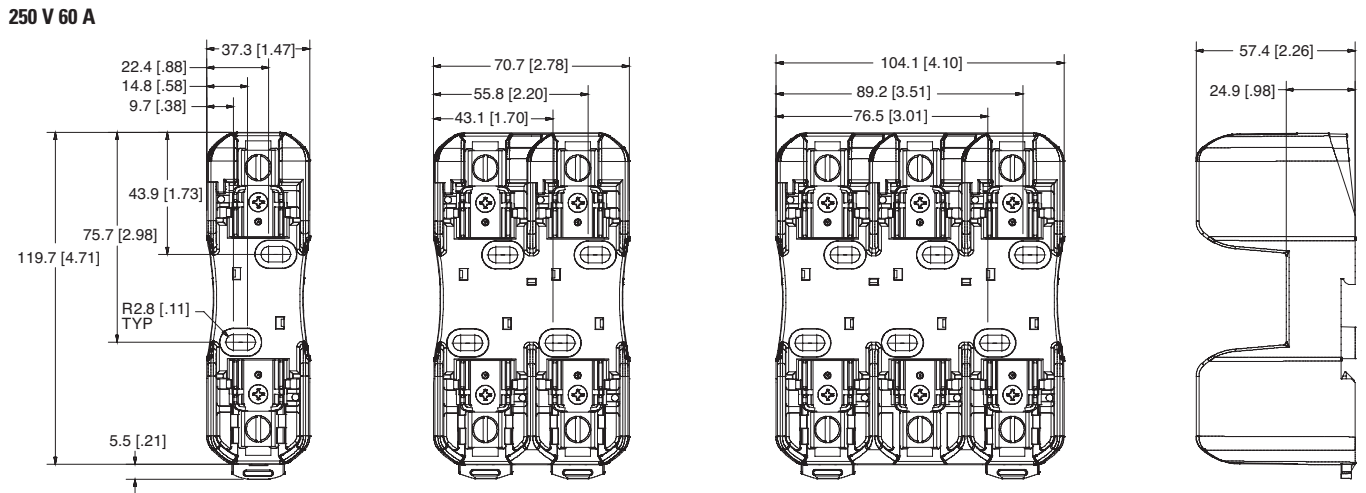
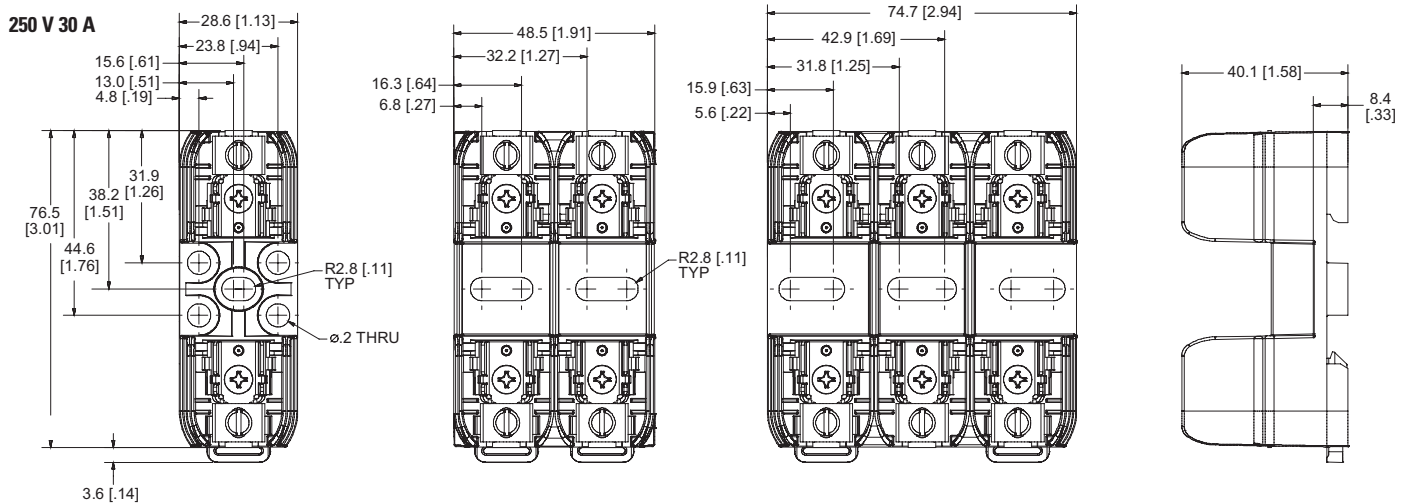
Ordering Information (Class R 600 V)

AMP RATING	POLES	ORDERING NUMBER			TORQUE	TERMINAL	WIRE RANGE	WIRE TYPE	BASE TEMP RATING	SNAP TO RELEASE	INDICATION	COVER ORDERING NUMBER*		
		BASE ORDERING NUMBER	BOX LUG	SUFFIX PRESSURE PLATE									SCREW	
30	1	LFR600301	CID	PID	SID	2.8 N-m (25 in-lbs)	C	6-14 AWG	CU Only	130°C	•	•	LFH60030FBC	
	2	LFR600302	CID	PID	SID		P	10-14 AWG						
	3	LFR600303	CID	PID	SID		S	10-22 AWG						
60	1	LFR600601	CID	—	—	5.6 N-m (50 in-lbs)	2-4 AWG		CU-AL	130°C	•	•	LFH60060FBC	
	2	LFR600602	CID	—	—		2.8 N-m (25 in-lbs)	6-14 AWG						
	3	LFR600603	CID	—	—									
100	1	LFR601001	CID	—	—	13.6 N-m (120 in-lbs)	2/0-6 AWG		CU-AL	130°C	—	•	LFH60100FBC	
	3	LFR601003	CID	—	—		4.5 N-m (40 in-lbs)	8 AWG						
							4.0 N-m (35 in-lbs)	10-14 AWG						
200	1	LFR602001	C	—	—	31.1 N-m (275 in-lbs)	250 kcmil-6		CU-AL	130°C	—	—	—	
	3	LFR602003	C	—	—									
400	1	LFR604001	C	—	—	31.1 N-m (275 in-lbs)	(2) 350 kcmil-1/0		CU-AL	130°C	—	—	—	
	3	LFR604003	C	—	—									
600	1	LFR606001	C	—	—	42.4 N-m (375 in-lbs)	(2) 500 kcmil-4		CU-AL	130°C	—	—	—	
	3	LFR606003	C	—	—									

Note: Reinforcing springs standard on all Class R fuse blocks. *Covers sold individually. One cover needed for each pole.

CLASS H/K5 AND R FUSE BLOCKS

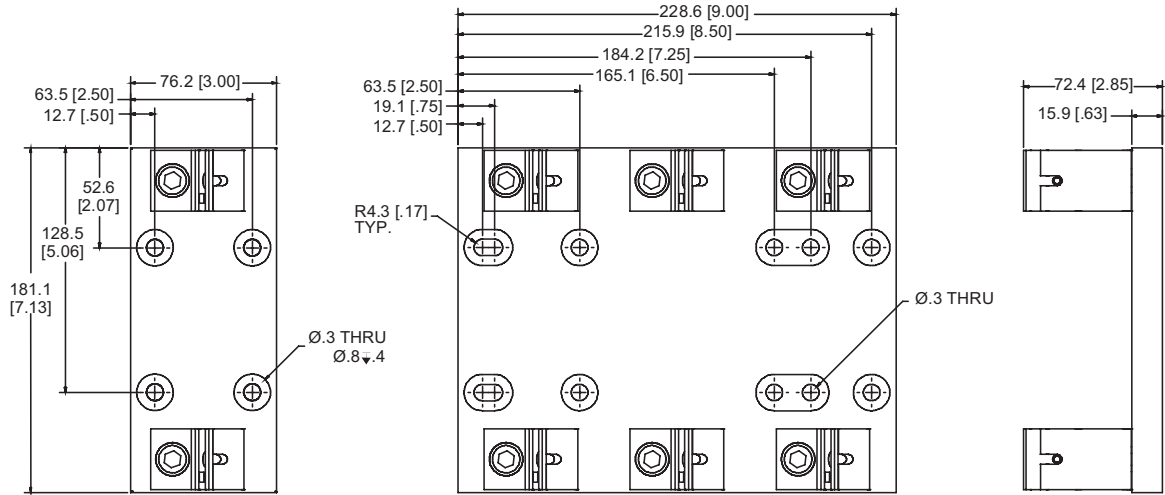
Dimensions mm (inches)



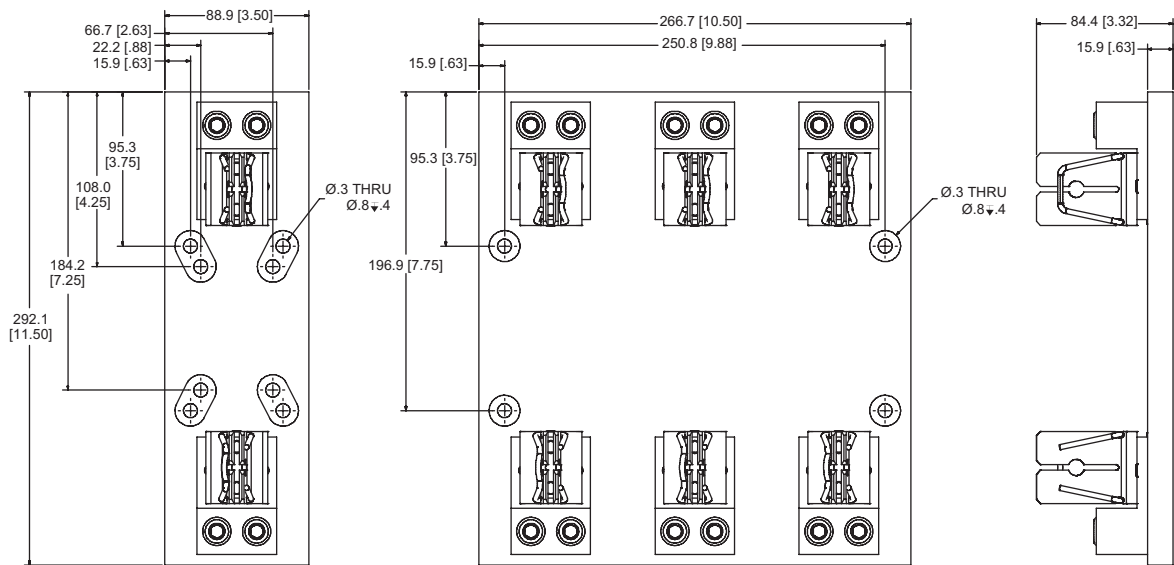
CLASS H/K5 AND R FUSE BLOCKS

Dimensions mm (inches)

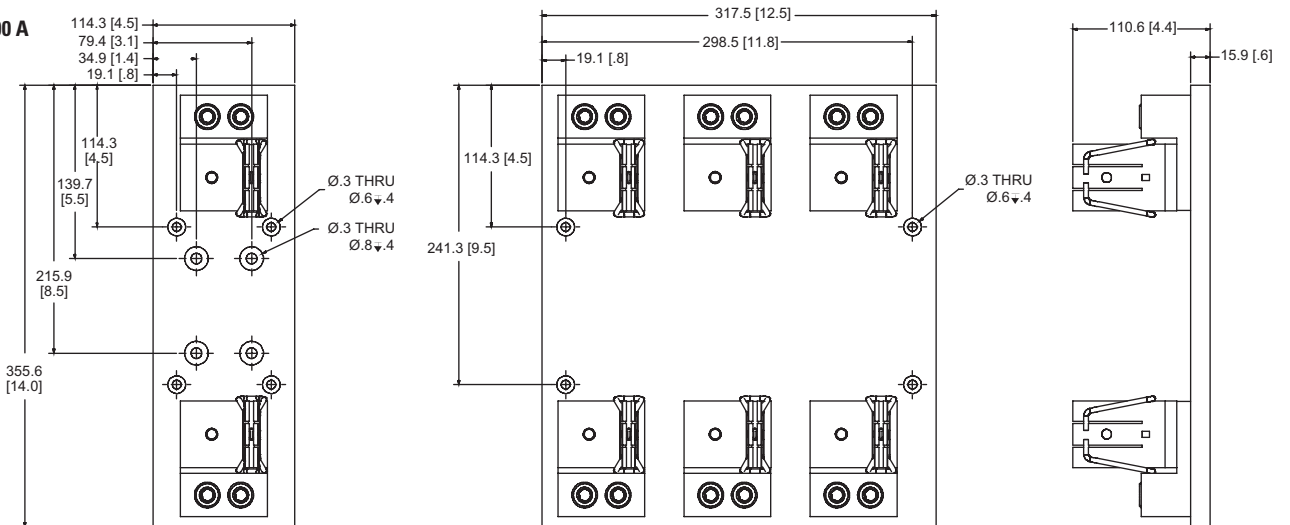
250 V 200 A



250 V 400 A

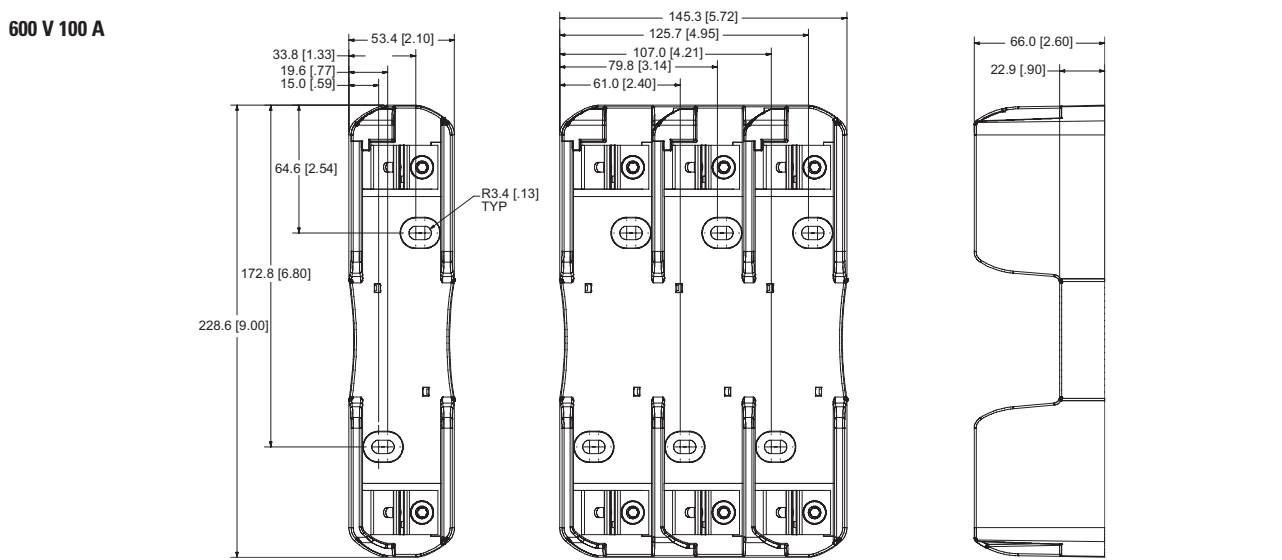
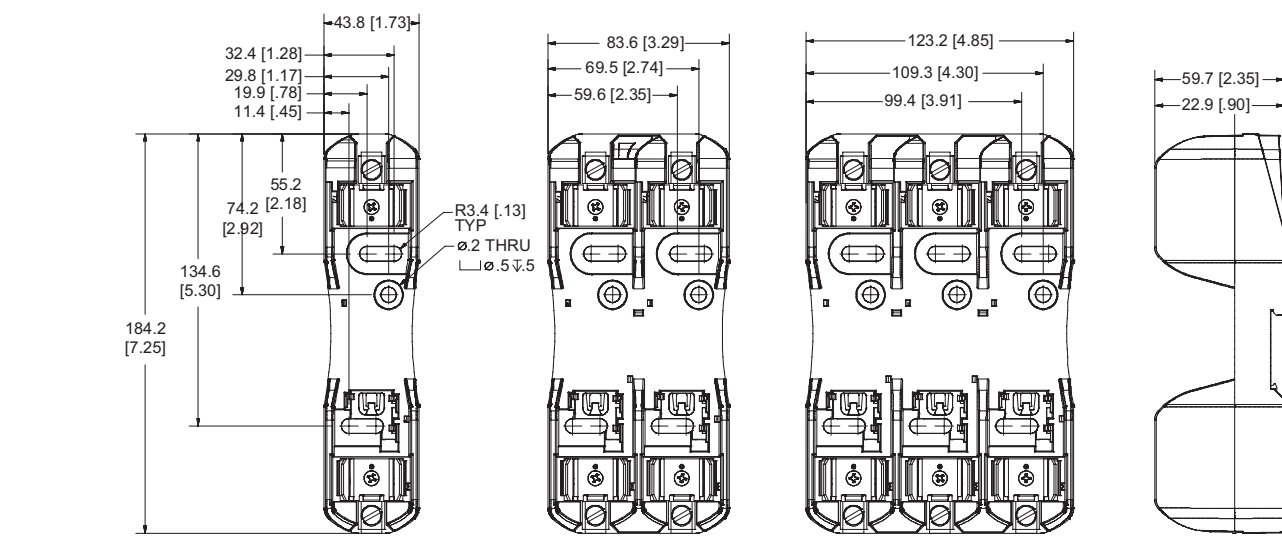
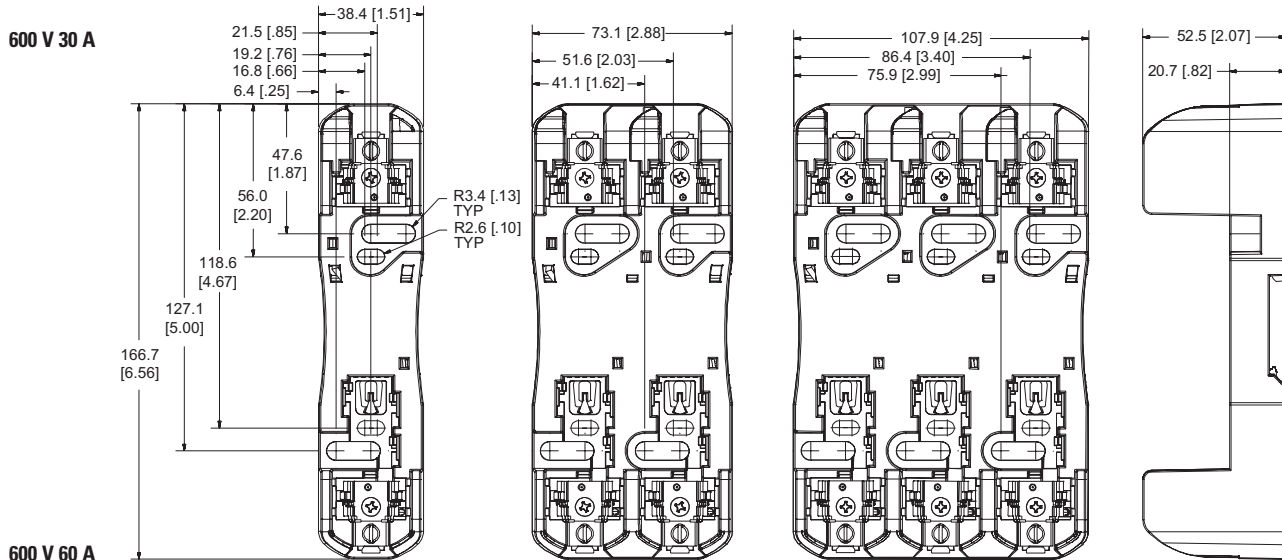


250 V 600 A



CLASS H/K5 AND R FUSE BLOCKS

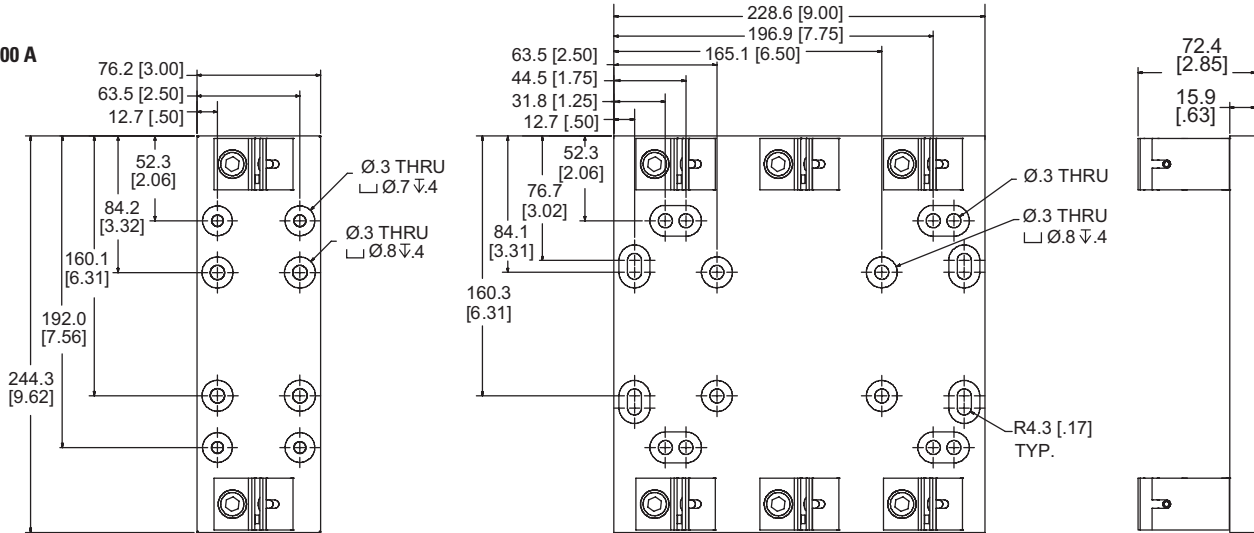
Dimensions mm (inches)



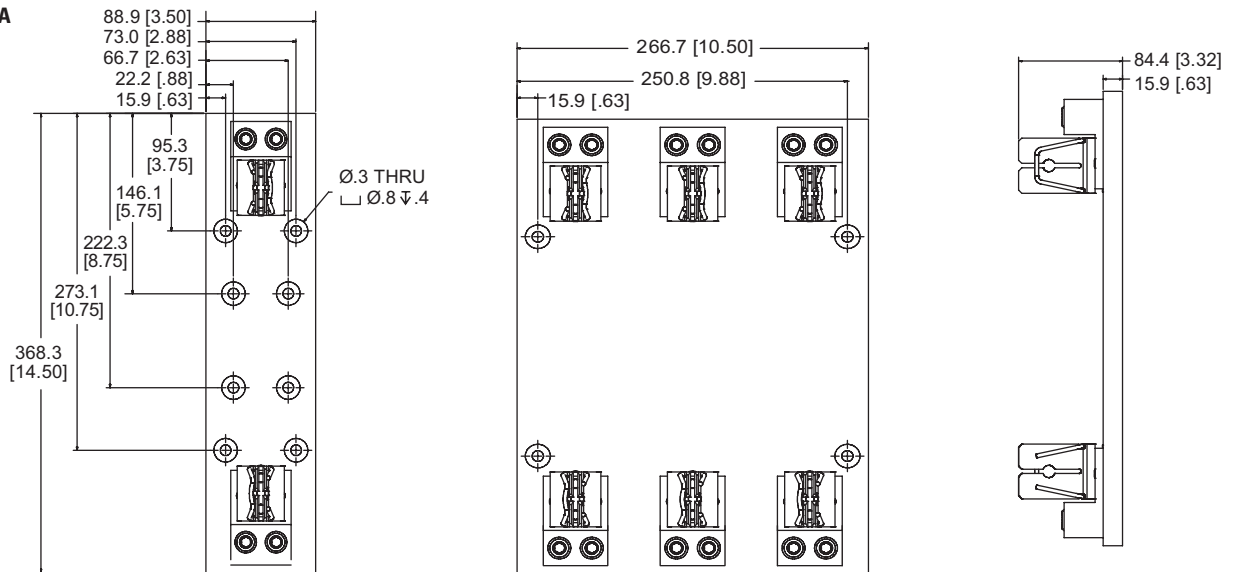
CLASS H/K5 AND R FUSE BLOCKS

Dimensions mm (inches)

600 V 200 A



600 V 400 A



600 V 600 A

