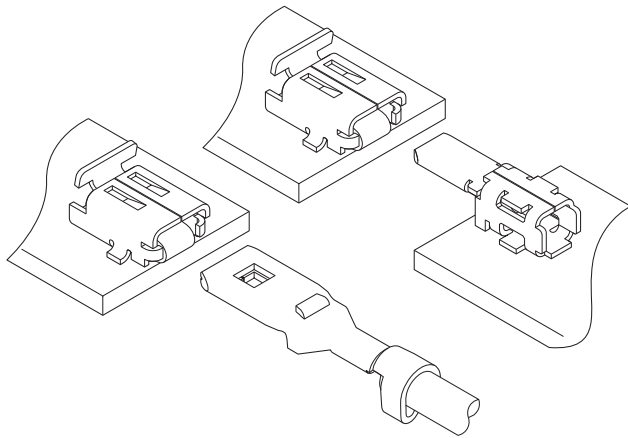


LEK CONNECTOR

Board-to-board connectors



This LEK connector is board-to-board connector that does not use the housing and has a positive lock. This enables to absorb misalignment when mating connector.

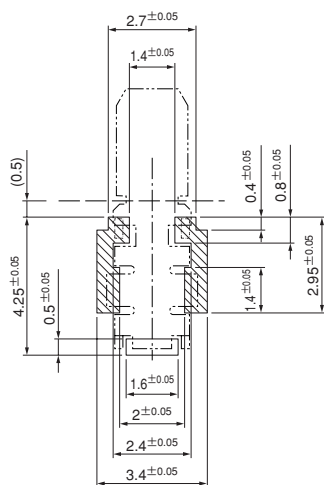
- Secure locking structure
- Absorbing misalignment

Specifications

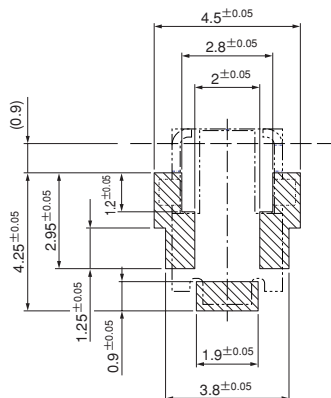
- Current rating: 3 A AC, DC
 - Temperature range: -55°C to +85°C
(including temperature rise in applying electrical current)
 - Contact resistance: Initial value/ 20 mΩ max.
After environmental tests/ 30 mΩ max.
 - Applicable wire: Conductor/ AWG #26 to #22
Insulation O.D./ 1.0 to 1.6 mm
- * Refer to "General Instruction and Notice when using Terminals and Connectors" at the end of this catalog.
* Contact JST for details.
* Compliant with RoHS.

PC board layout and Assembly layout

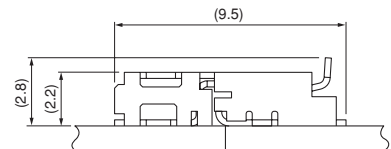
Plug



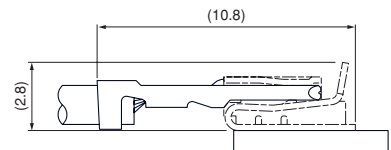
Receptacle



Board-to-board



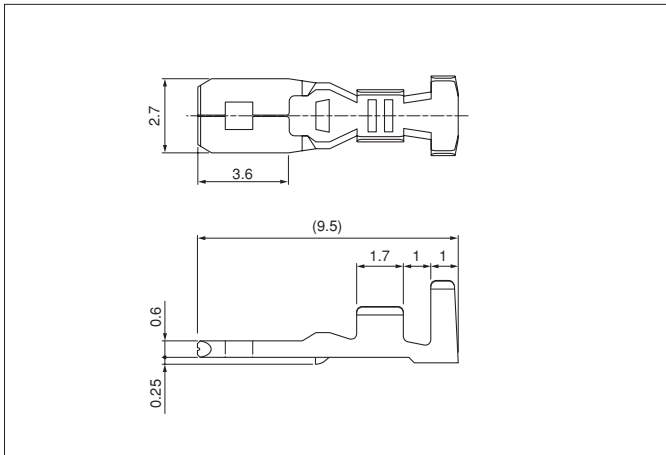
Wire-to-board



Note: The above figure is the figure viewed from the connector mounting side.

LEK CONNECTOR

Contact



Model No.	Applicable wire		Insulation O.D. (mm)	Q'ty/reel
	mm ²	AWG #		
SLEKH-001T-P0.6	0.13~0.33	26~22	1.0~1.6	7,000

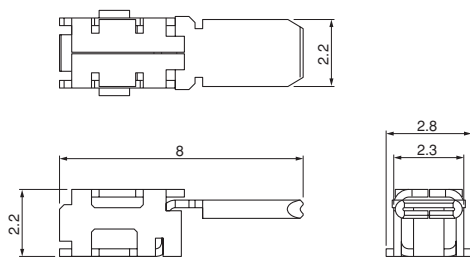
Material and Finish
Phosphor bronze, tin-plated

RoHS compliance

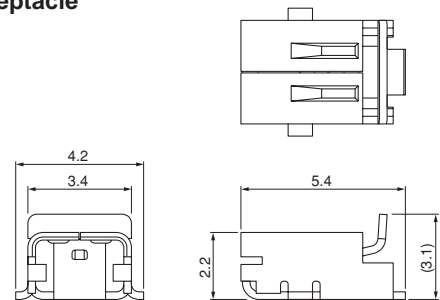
Contact	Crimping machine	Applicator		
		Crimp applicator	Dies	Crimp applicator with dies
SLEKH-001T-P0.6	AP-K2N	MKS-L	MK/SLEKH-001-06	APLMK SLEKH001-06
			-	-

Connector

Plug



Receptacle



Model No.	Q'ty/reel
LEK-01PS-2RPT	4,500
Material and Finish	
Phosphor bronze, tin-plated	

RoHS compliance

Model No.	Q'ty/reel
LEK-01RS-2RPT	3,500
Material and Finish	
Phosphor bronze, tin-plated	

RoHS compliance