



# LED-100W Series– Fixed Output and Dimmable Switch Mode LED Drivers Constant Current & Constant Voltage with Isolation Black Magic Thermal Advantage™ Aluminum Housing

## Electrical Specifications

Input Voltage Range:	100-277 Vac Nom. (90-305 V Min/Max)
Input Over-Voltage:	Can endure 320Vac for 48 Hrs, 350Vac for 2 Hrs
Frequency:	50/60 Hz Nom. (47-63 Hz Min/Max)
Power Factor:	>0.90 @ full load, 100V through 277V
Inrush Current:	<30.0 Amps max @ 230 Vac, cold start 25°C
Input Current:	1.30 Amps max
Maximum Power:	100W
Current Accuracy:	± 1% Over input line variation
Load Regulation:	± 3%
THD:	≤ 20% @ full load
Leakage Current:	400 µA Typical
Hold Up Time:	Half Cycle
Protection:	Output Over-Voltage, Output Over-Current, and Output Short Circuit Protection reset by power cycling

## Electrical Specifications

Minimum Starting Temp:	-30°C
Maximum Case Temp.	90°C
UL Type TL Rating:	Non-Class 2: 90/73°C
Storage Temperature:	-40°C to +85°C
Humidity:	5% to 95%
Cooling:	Convection
Vibration Frequency:	5 to 55 Hz/2g, 30 minutes
Sound Rating:	Class A
MTBF:	418,000 Hours at full load and 40°C ambient conditions per MIL-217F Notice 2
EMC:	FCC 47CFR Part 15 Class B compliant

### Ordering Options:

-D: 0-10V & Resistance dimmable version comes with an extra two wires +Purple/-Gray on the output side. -D 0-10V Dimming is compatible with most quality 0-10V wall dimmers. See page 3 for additional specifications.



- Total Power: 100 Watts
- Input Voltage: 100-277 Vac Nom.
- UL Dry & Damp Location Rated
- IP66
- High Power Factor
- UL Type HL Rated for Hazardous Locations
- UL Sign Components Manual (S.A.M. Models)

### Constant Current - Product Specifications

Model Number	Output Current (mA ±3%)	Output Voltage Range (Vdc)	Max. Output Power (W)	Typical Efficiency
LED100W-286-C0350-XX	350	95-286	100	92%
LED100W-222-C0450-XX	450	74-222	100	92%
LED100W-143-C0700-XX	700	47-143	100	91%
LED100W-095-C1050-XX	1050	31-95	100	91%
LED100W-071-C1400-XX	1400	23-71	100	91%
LED100W-057-C1750-XX	1750	19-57	100	90%
LED100W-048-C2100-XX	2100	16-48	100	90%
LED100W-041-C2450-XX	2450	13-41	100	90%
LED100W-036-C2800-XX	2800	12-36	100	90%
LED100W-032-C3150-XX	3150	10-32	100	90%
LED100W-028-C3570-XX	3570	9-28	100	89%
LED100W-024-C4200-XX	4200	8-24	100	89%
LED100W-020-C5000-XX	5000	7-20	100	88%
LED100W-018-C5550-XX	5550	6-18	100	88%

-XX indicates dimming options are available. See options at left. Blank = fixed current output

### Constant Voltage - Product Specifications

Model Number	Output Voltage (Vdc ±5%)	Output Current Range (mA)	Max. Output Power (W)	Typical Efficiency
LED100W-018	18	1388-5550	100	88%
LED100W-020	20	1250-5000	100	88%
LED100W-024	24	1050-4200	100	89%
LED100W-028	28	893-3570	100	89%
LED100W-032	32	788-3150	100	90%
LED100W-036	36	700-2800	100	90%
LED100W-041	41	613-2450	100	90%
LED100W-048	48	525-2100	100	90%
LED100W-057	57	438-1750	100	90%
LED100W-071	71	350-1400	100	91%
LED100W-095	95	263-1050	100	91%
LED100W-143	143	175-700	100	91%
LED100W-222	222	113-450	100	92%
LED100W-286	286	88-350	100	92%

• Indicates S.A.M.



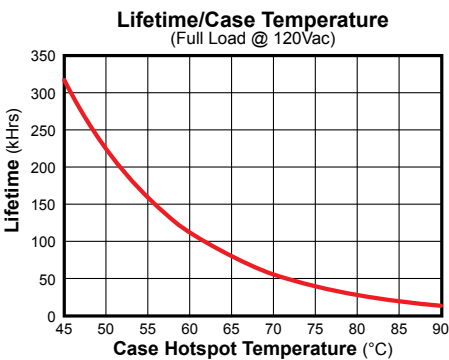
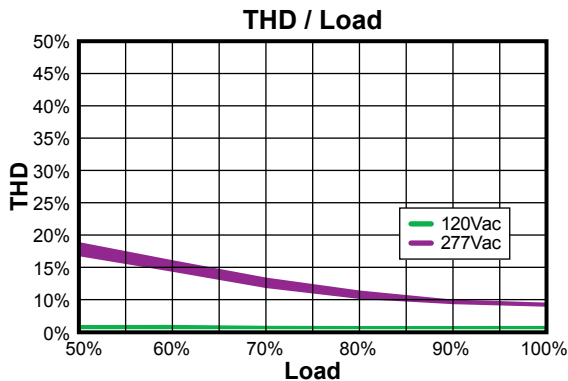
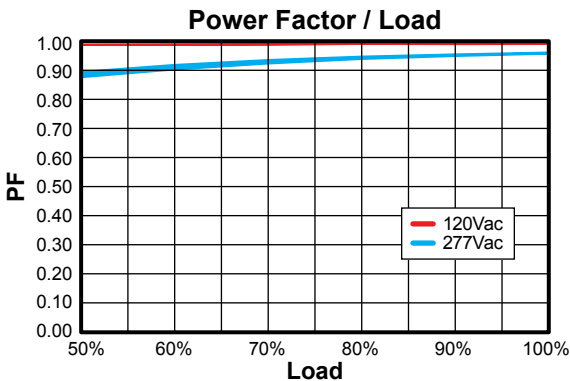
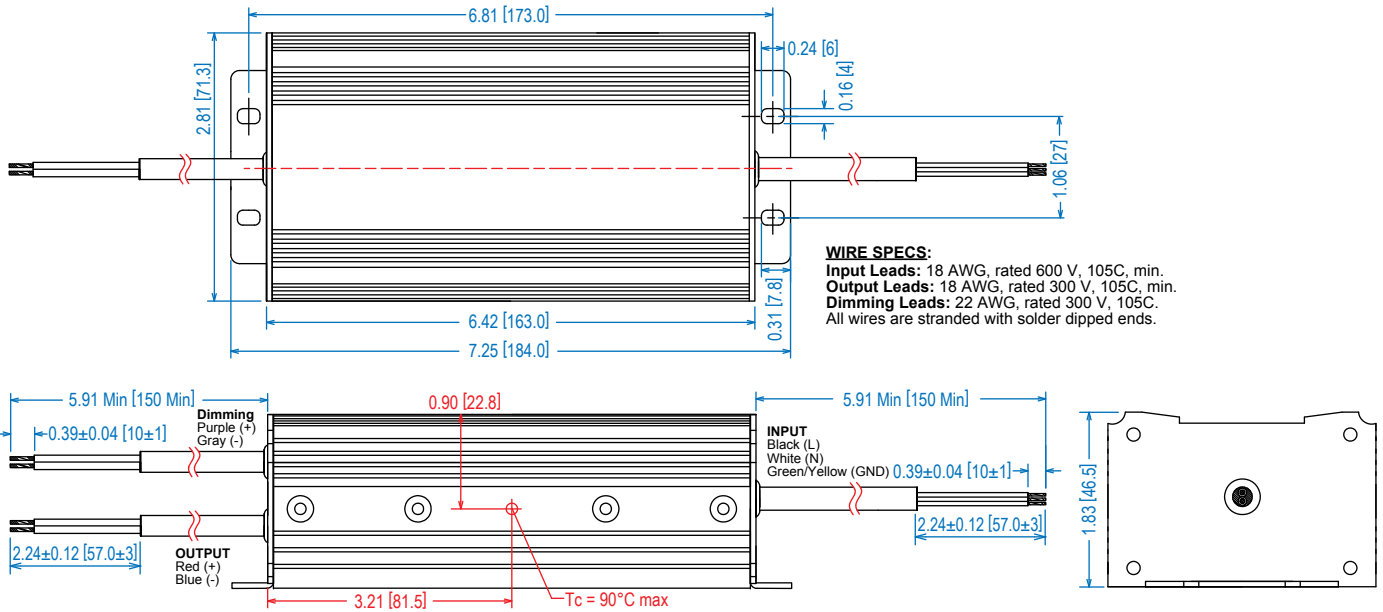
**Note:**  
LED drivers are designed and intended to operate LED loads only. Non-LED loading may be outside the specified design limits of our LED drivers, and therefore cannot be covered by any warranty. If you desire to use our LED drivers to operate non-LED loads please contact us to discuss compatibility.

Specifications subject to change without notice.

Rev 10-12-16



## Dimensions - Inches (mm)



Safety Cert.	Standard
UL/CUL	UL8750 & CAN/CSA-22.2
CE	EN 61347
EMC Standard	Notes
FCC, 47CFR Part 15	Class B
EN 61000-3-2	
EN 61000-3-3	Class C
EN 61000-4-5	2 kV/4 kV 8/20µsec

**Note:**  
 The area under the life-temperature curve represents where the driver has highly reliable operation within specification. Driver performance may drift out of published specifications as the hours of operation exceed the curve at a given temperature. Higher operating temperatures increase the chances of a failure to function. Other electrical, mechanical and environmental factors affect driver lifetime but are not represented in this calculation.

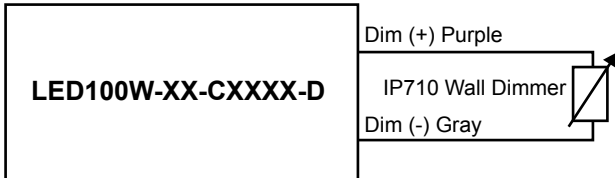
## UL Conditions of Acceptability

See website for additional information

**“-D” Option: 0-10VDC and Resistance Dimming**

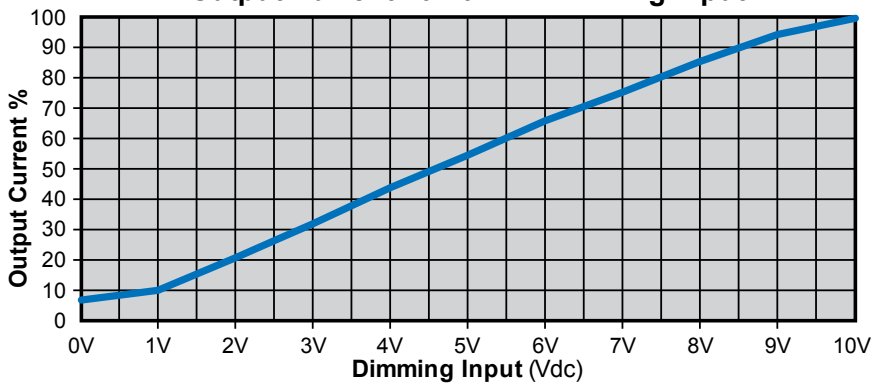
Parameters	Minimum	Typical	Maximum
Source Current out of 0-10V Purple Wire	0 mA	—	2 mA
Absolute Voltage Range on 0-10V (+) Purple Wire	-2.0 V	—	+15 V

**Typical Dimming Circuit**



(Dimmer must be current-sink type control)

**Output Current / 0-10VDC Dimming Input**



**Notes:**

1. 0-10V dimmable version comes with an extra two wires +Purple/-Gray on the output side.
2. Compatible with most 0-10V Wall Slide dimmers and direct 0-10V analog signal. Recommended dimmer is Leviton IP710 or equivalent
3. 0-10V dimmable version is not intended to dim below about 5% @ 0V or 10% @ 1.0V
4. 0-10V dimmable version output will be 100% with Purple/Gray open and minimum with Purple/Gray Shorted.