

REV.	DESCRIPTION	DATE	APPROVED
F	Engineering Release	10/03/12	T. Y.
G	Engineering Update w/o Changes	08/08/16	J. C.

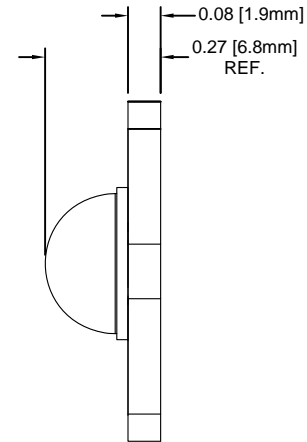
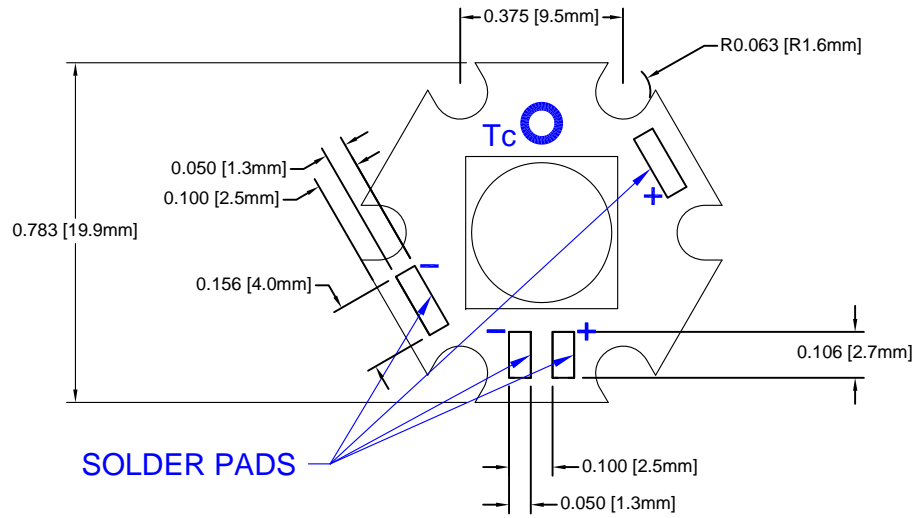

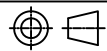


Table 1: Typical Characteristics without Additional Heat Sink

Part Number	CCT (K)	CRI	Typical Luminous Flux @ If = 200mA, Tc=70C (lm)	Typical Luminous Flux @ If = 350mA, Tc=100C (lm)	Typical DC Forward Current, Vf (V)	Viewing Angle (°)
L2-TGN1-S	4000	80	141	160	5.2 ~ 5.3	120
L2-TGW1-S	3000	80	130	148	5.2 ~ 5.3	120

Table 2: Absolute Maximum Ratings with Thermal Management

Part Number	CCT (K)	CRI	Typical Luminous Flux @ If = 1000mA, Tc=120C (lm)	Typical Luminous Flux @ If = 2500mA, Tc=60C (lm)	Typical DC Forward Current, Vf (V)	Viewing Angle (°)
L2-TGN1-S	4000	80	216	660	5.6 ~ 5.9	120
L2-TGW1-S	3000	80	186	566	5.6 ~ 5.9	120

STANDARD TOLERANCE (UNLESS OTHERWISE SPECIFIED)		 4 THOMAS, IRVINE, CA. 92618 TEL: (949) 951-8808 FAX: (949) 951-3974			
.X	± .1			X°	± 1°
.XX	± .02				
.XXX	± .010				
DESIGNED:	B. Oliver	DATE:	11/02/11	TITLE:	L2 Starboard Light Engine
CHECKED:	T. Yin	DATE:	11/02/11	PART NO:	L2-TGXX-S
				REVISION:	G
				CAGE CODE :	32559
				SHEET #	1 OF 1
CAD GENERATED DOCUMENT. DO NOT MEASURE DRAWING.					