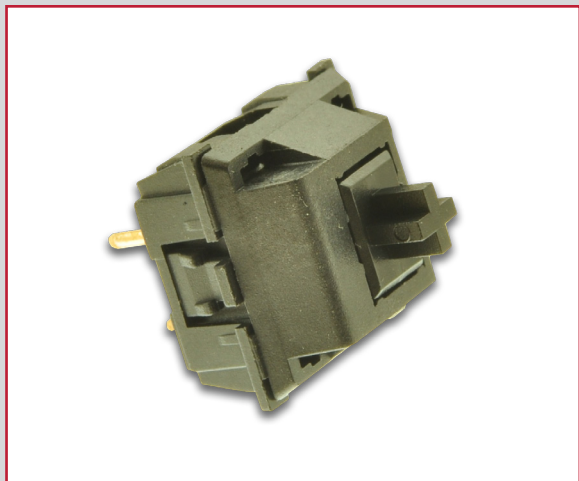
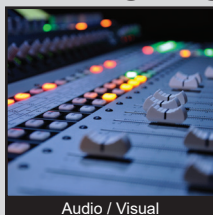


# KS1100 SERIES PUSHBUTTON SWITCH

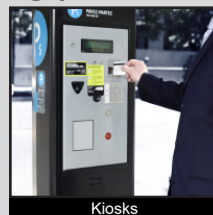
ANTI-VANDAL SWITCHES  
 DETECTOR SWITCHES  
 DIP SWITCHES  
 KEYLOCK SWITCHES  
 NAVIGATION SWITCHES  
**PUSHBUTTON SWITCHES**  
 ROCKER SWITCHES  
 ROTARY SWITCHES  
 SLIDE SWITCHES  
 SNAP ACTION SWITCHES  
 TACTILE SWITCHES  
 TOGGLE SWITCHES  
 CAP OPTIONS



## APPLICATIONS / MARKETS



Audio / Visual



Kiosks



Consumer Electronics



Instrumentation



Vending Machines



Medical Equipment

**RoHS**

## SPECIFICATIONS

**Contact Rating:** 10mA @ 12VDC Max  
**Contact Resistance:** 100mΩ Max Initial  
**Insulation Resistance:** 100MΩ Min. @ 100VDC  
**Dielectric Strength:** 1,000VAC for 1 Minute  
**Electrical Life:** 50,000,000  
**Operating Temperature:** -10°C to 70°C  
**Storage Temperature:** -10°C to 70°C  
**Contact Arrangement:** SPST  
**Travel:** 2.0mm to Electrical Make  
 4.0mm Max Travel  
**Actuation:** 60gf

## FEATURES & BENEFITS

- 10mA 12VDC rating
- 1 Pole SPST Momentary Function
- Long Travel
- 50,000,000 Electrical Life
- Low Actuator Force

## PART NUMBER CONFIGURATOR

Series







KS1100

Function



OA - Momentary

Circuit

1 - SPST

Actuator

A - 15.2mm Height

Operating Force





F060 - 60 GF

Specifications subject to change without notice



**E-SWITCH®**

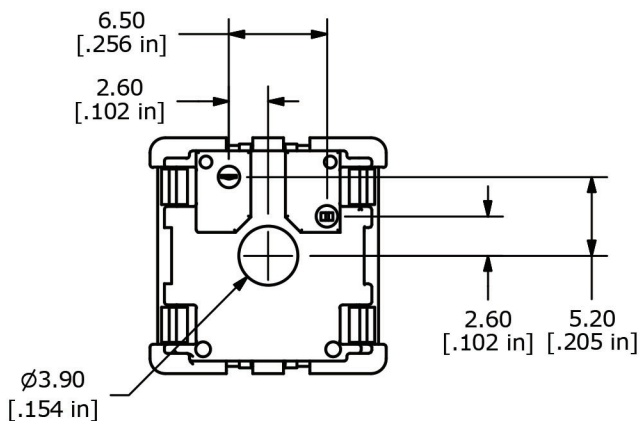
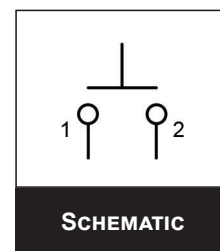
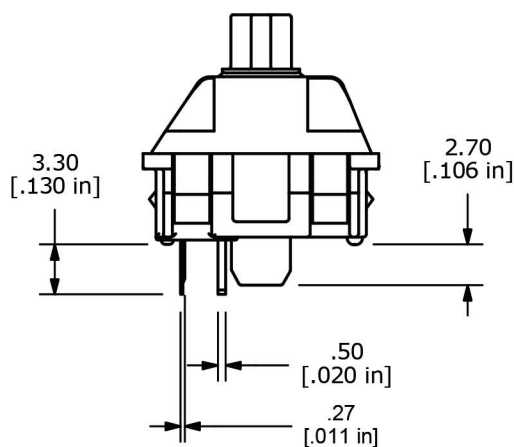
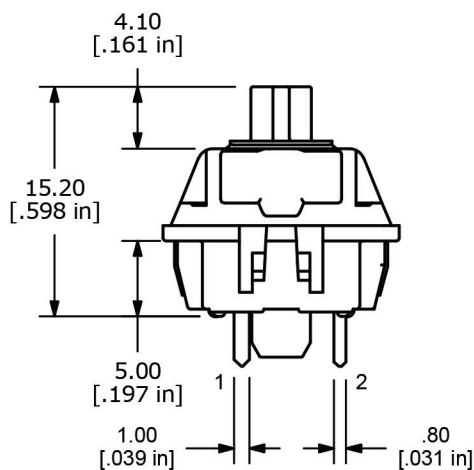
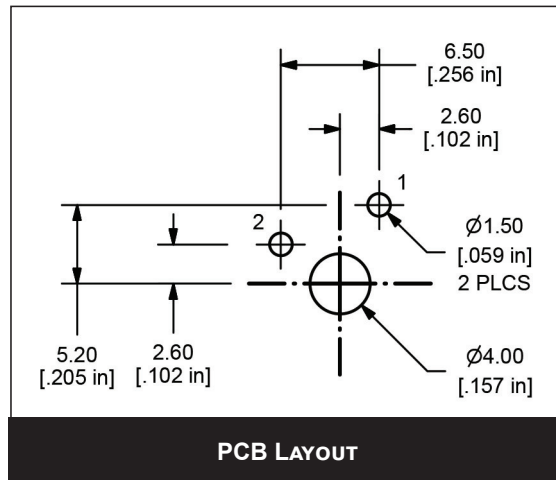
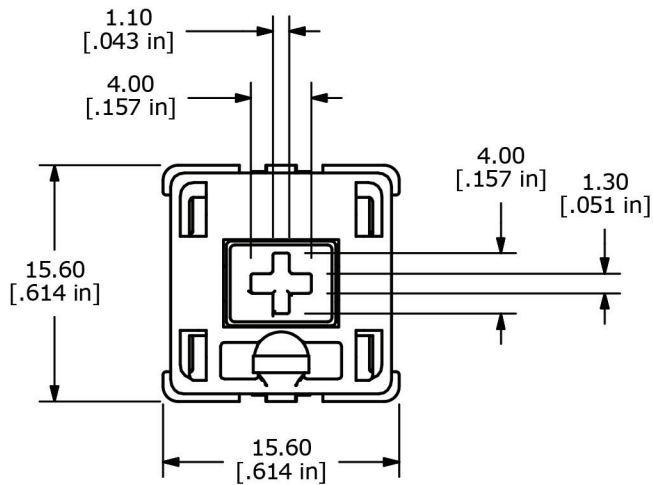
www.e-switch.com

800.867.2717

1

# KS1100 SERIES PUSHBUTTON SWITCH

## BODY DIMENSIONS & PCB LAYOUT



- ANTI-VANDAL SWITCHES
- DETECTOR SWITCHES
- DIP SWITCHES
- KEYLOCK SWITCHES
- NAVIGATION SWITCHES
- PUSHBUTTON SWITCHES**
- ROCKER SWITCHES
- ROTARY SWITCHES
- SLIDE SWITCHES
- SNAP ACTION SWITCHES
- TACTILE SWITCHES
- TOGGLE SWITCHES
- CAP OPTIONS