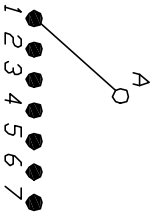
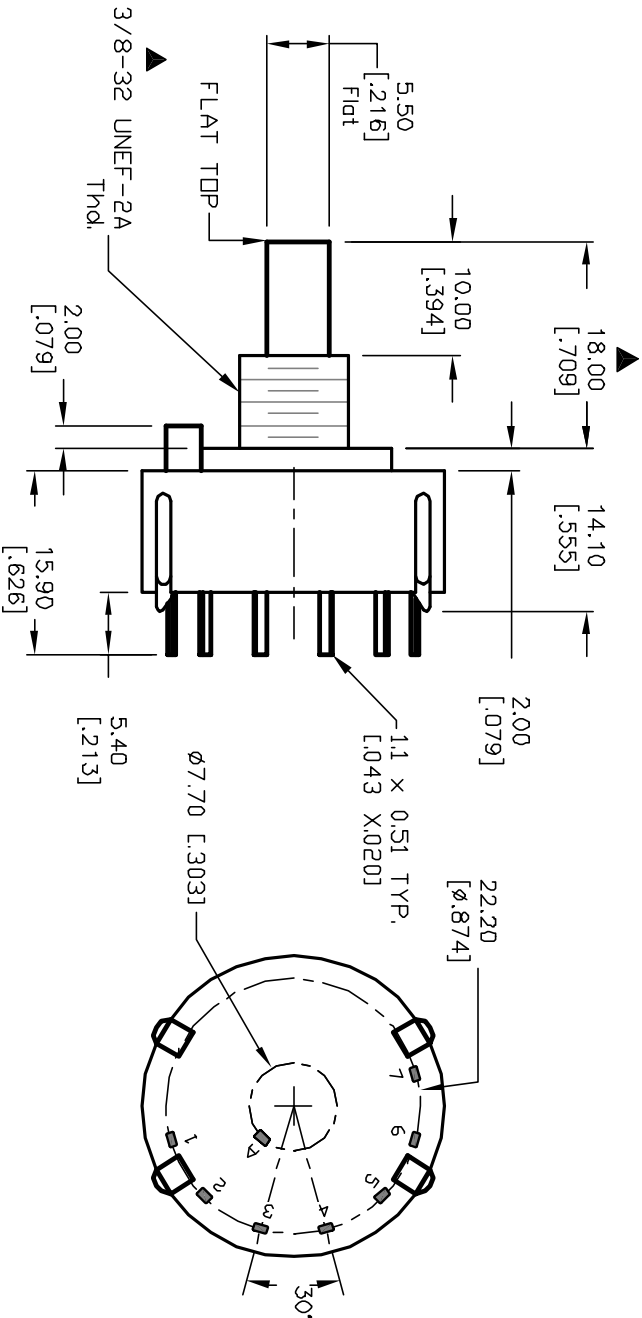
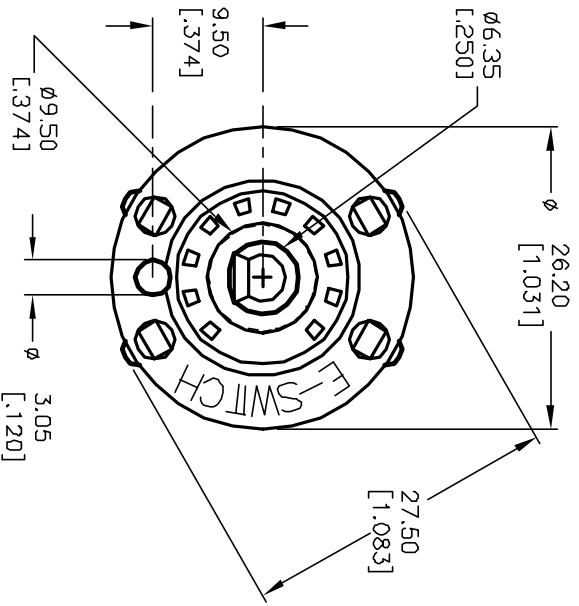
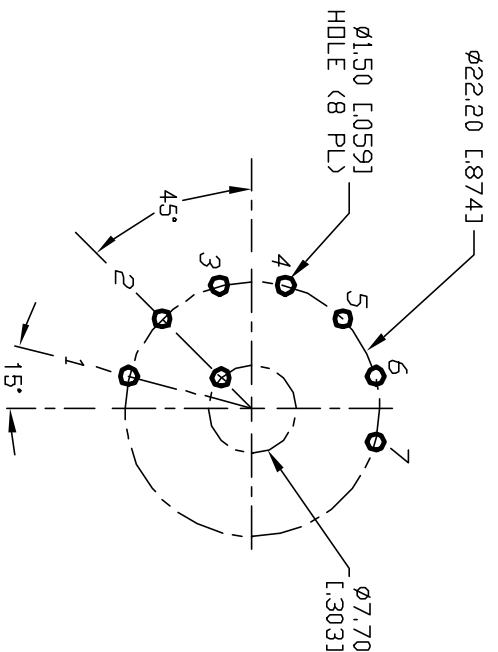


- NOTES:
1. ALL DIMENSION IN MM [INCH]
 2. GENERAL TOLERANCE: X.X=±0.4
X.XXX=±0.25
 3. TERM. NOS. FOR REF. ONLY
 4. CONTACT RATING SWITCHING: 150mA, 250V AC/DC
350mA, 110V AC/DC
 5. OPERATING FORCE: 425±100 CM/STANDARD
 6. OPERATING TEMP: -30° to 85°C
 7. CIRCUIT SP: 7 POSITIONS, 30° INDEX.
 8. DIELECTRIC STRENGTH: 1000V RMS min.@SEA LEVEL.
 9. DESIGNATE MAJOR DIMENSIONS
 10. SUPPLIED HARDWARE: STOP RING, LOCK NUT AND WASHER (NOT SHOWN).



CONTACT CONFIGURATION
Timing: Non-Shorting (BBM)



E-SWITCH®

REV.	ECN No.	DESCRIPTION	DATE	CHKD
A	12422	RELEASED FOR PRODUCTION	9/16/02	CJB

TITLE	SCALE	DATE	DR	DWG	REV
KC-17-A (10.0mm)-01-N-P-S	1.5:1	9/16/02	CJB	G527961	A

THE INFORMATION CONTAINED IN THIS DOCUMENT IS PROPRIETARY TO E-SWITCH AND IS NOT TO BE COPIED OR TRANSFERRED