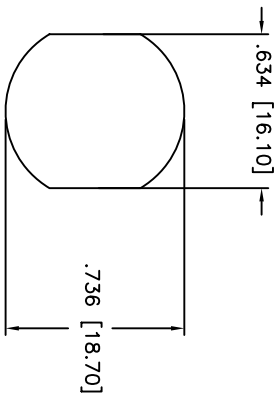
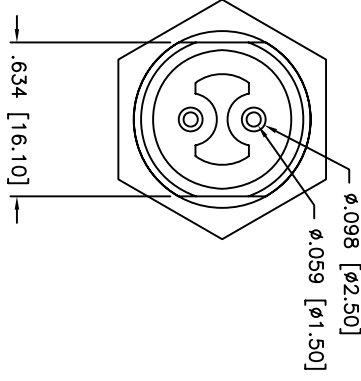
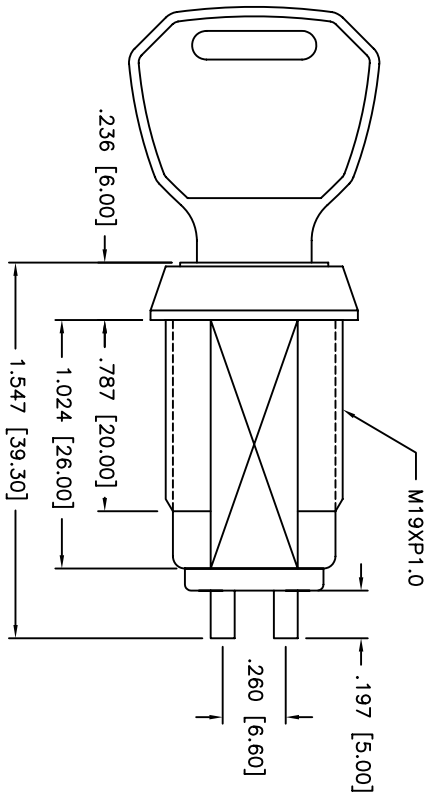
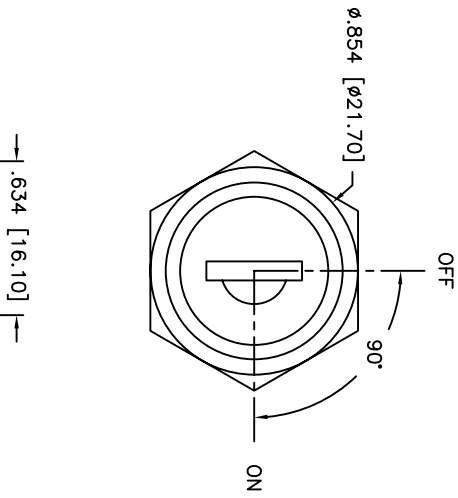


THIS DOCUMENT IS THE PROPERTY OF APEM COMPONENTS AND SHALL NOT BE COPIED, REPRODUCED, DISCLOSED OR SALE WITHOUT PERMISSION OF A DULY AUTHORIZED REPRESENTATIVE OF APEM COMPONENTS INC.

DATE	SYM	REVISION RECORD	DWN.	CK.
				PD



DESCRIPTION: ON-OFF KEY SWITCH WITH DUST PROOF SHUTTER, AND 5-DISC TUMBLER CYLINDER.

SPECIFICATIONS:
 CONTACT RATING: 4A 125VAC OR 2A 250VAC
 HOUSING: ZINC ALLOY WITH CHROME PLATING
 KEY: DOUBLE-BITTED NICKEL PLATED BRASS
 CONTACTS AND TERMINALS: SILVER PLATED

Q.A. INSPECT:
 DESIGNATES CRITICAL DIMENSION

TOLERANCES (UNLESS OTHERWISE SPECIFIED)
 .XX = ±.02 [0.05]
 .XXX = ±.008 [0.20]
 .XXXX = ±.0008 [0.02]
 ANGLE = 10.5°

APEM
 APEM COMPONENTS, INC.
 63 NEEK RD. 01835
 HARTFORD, CT 06105
 PHONE: 860-272-3534

DRN: CJD
 BR: PJD
 OR: PJD

THIRD ANGLE PROJECTION

DO NOT SCALE
 DATE: 2/9/07
 DRAWING NO.: JD8307-2
 REV: A

1 2 3 4 5 6 7 8