

ISL95838

Dual 3+2 PWM Controller for IMVP-7/VR12™ CPUs

FN7878
Rev 2.00
October 15, 2015

The ISL95838 Pulse Width Modulation (PWM) controller IC provides a complete solution for IMVP-7/VR12™ compliant microprocessor and graphic processor core power supplies. It provides the control and protection for two Voltage Regulators (VRs). The first VR, typical for Vcore, incorporates 2 integrated drivers and can operate in 3-, 2- or 1-phase configurations. The second VR, typical for Graphics, can operate in 2- or 1-phase configurations. The two VRs share a serial control bus to communicate with the CPU and achieve lower cost and smaller board area compared with the two-chip approach.

Both VRs utilize Intersil's Robust Ripple Regulator R3 Technology™. The R3 modulator has numerous advantages compared to traditional modulators, including faster transient response, variable switching frequency during load transients, and improved light load efficiency due to its ability to automatically change switching frequency.

The ISL95838 has several other key features. Both outputs support either DCR current sensing with a single NTC thermistor for DCR temperature compensation, or more precise resistor current sensing if desired. Both outputs come with remote voltage sense, programmable V_{BOOT} voltage, I_{MAX}, and switching frequency, adjustable overcurrent protection and separate Power-Good signals.

Features

- Serial Data Bus
- Dual Outputs:
 - Configurable 3-, 2- or 1-phase for the 1st Output using two integrated Gate Drivers
 - Configurable 2- or 1-phase for the 2nd Output
- R3 Modulator
 - Excellent Transient Response
 - High Light Load Efficiency
- 0.5% System Accuracy Over-Temperature
- Supports Multiple Current Sensing Methods
 - Lossless Inductor DCR Current Sensing
 - Precision Resistor Current Sensing
- Differential Remote Voltage Sensing
- Programmable V_{BOOT} Voltage at Start-up
- Resistor Programmable I_{MAX}, Switching Frequency for Both Outputs
- Adaptive Body Diode Conduction Time Reduction

Applications

- IMVP-7/VR12 Compliant Computers

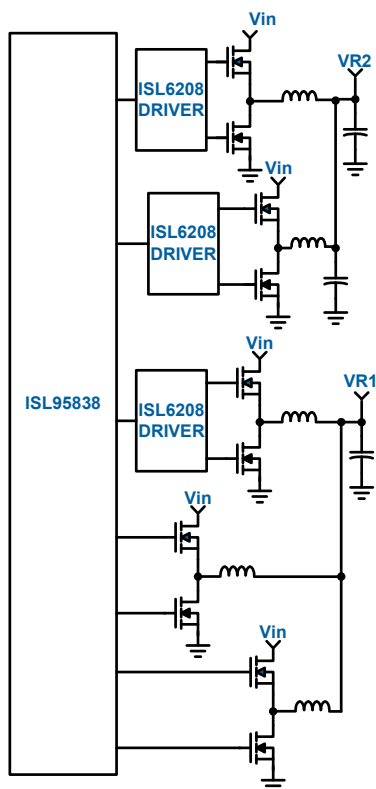


FIGURE 1. SIMPLIFIED APPLICATION CIRCUIT

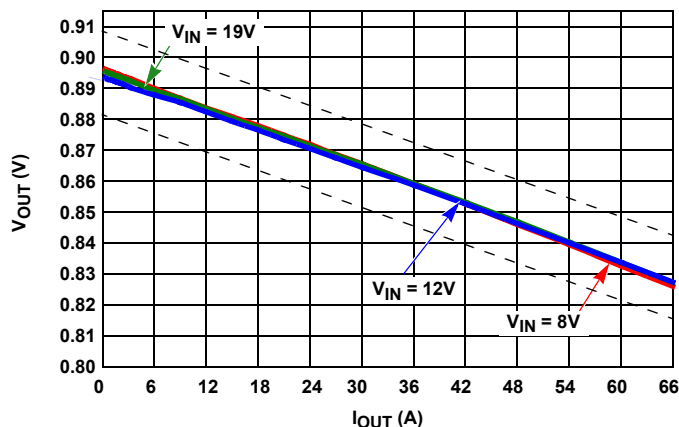


FIGURE 2. LOAD LINE REGULATION

© Copyright Intersil Americas LLC 2012-2015. All Rights Reserved.
All trademarks and registered trademarks are the property of their respective owners.

For additional products, see www.intersil.com/en/products.html

Intersil products are manufactured, assembled and tested utilizing ISO9001 quality systems as noted in the quality certifications found at www.intersil.com/en/support/qualandreliability.html

Intersil products are sold by description only. Intersil may modify the circuit design and/or specifications of products at any time without notice, provided that such modification does not, in Intersil's sole judgment, affect the form, fit or function of the product. Accordingly, the reader is cautioned to verify that datasheets are current before placing orders. Information furnished by Intersil is believed to be accurate and reliable. However, no responsibility is assumed by Intersil or its subsidiaries for its use; nor for any infringements of patents or other rights of third parties which may result from its use. No license is granted by implication or otherwise under any patent or patent rights of Intersil or its subsidiaries.

For information regarding Intersil Corporation and its products, see www.intersil.com