

DO NOT SCALE FROM THIS PRINT

ISDF-XX-D-X

No OF POSITIONS

-02 THRU -50
(PER ROW)

ROW SPECIFICATION

-D: DOUBLE

OPTIONS

- LEAVE BLANK: NO KEY (SEE FIG 1)
- M: METAL RETENTION LATCH (SEE FIG 1)
- S: DUAL SCREW DOWN (SEE SHT 2, FIG 2)
- C: CHAMFER (SEE SHT 3, FIG 3) (7 POSITION ONLY)
- L: FRICTION LOCK (SEE SHEET 3, FIG 4) (AVAILABLE ON POS *-05, *-07, -10 THRU -50)

(*=NOT AVAILABLE WITH POLARIZATION KEY)

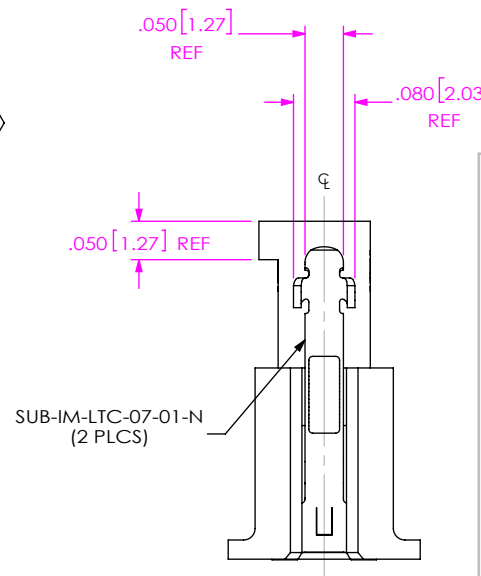
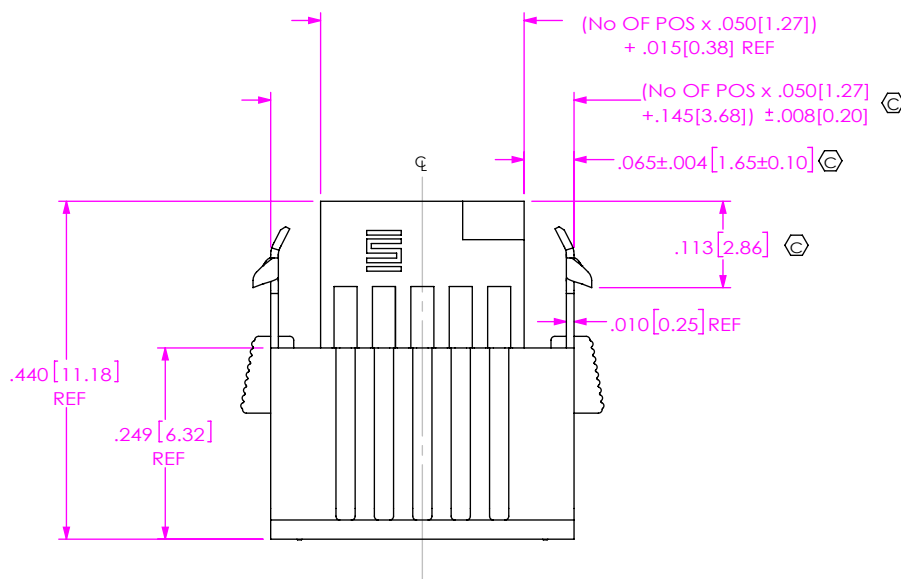
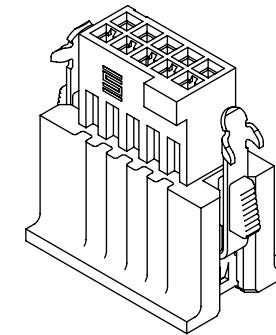
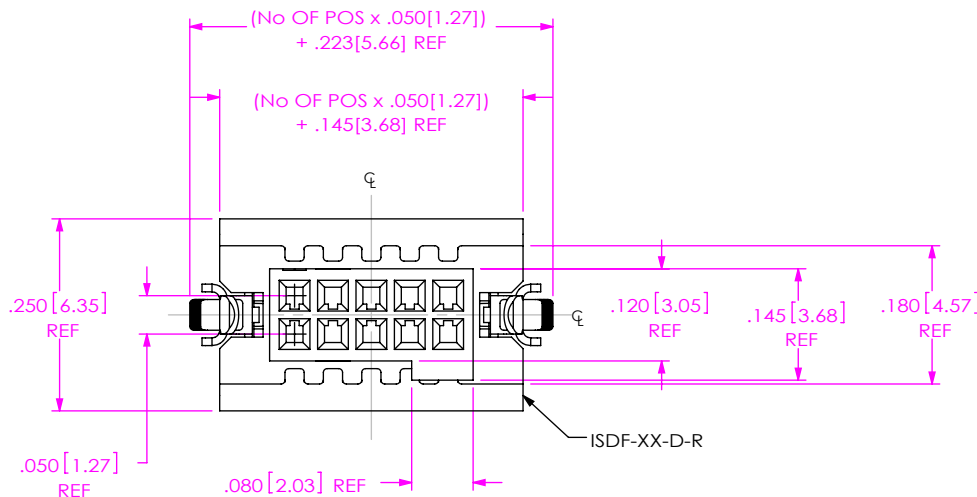
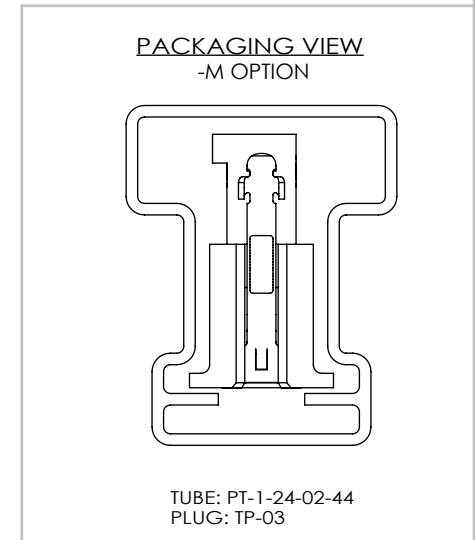


FIG 1
ISDF-05-D-M SHOWN



NOTES:

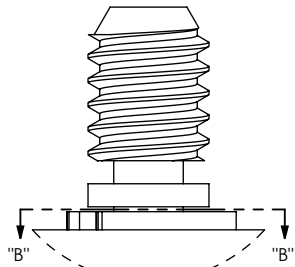
1. Ⓢ REPRESENTS A CRITICAL DIMENSION.
2. LATCH RETENTION FORCE: .5 LB [2.22N].
3. PARTS TO BE PACKAGED IN TUBES.

UNLESS OTHERWISE SPECIFIED, DIMENSIONS ARE IN INCHES. TOLERANCES ARE:		<p>PROPRIETARY NOTE</p> <p>THIS DOCUMENT CONTAINS CONFIDENTIAL AND PROPRIETARY INFORMATION AND ALL DESIGN, MANUFACTURING, REPRODUCTION, USE, PATENT RIGHTS AND SALES RIGHTS ARE EXPRESSLY RESERVED BY SAMTEC, INC. THIS DOCUMENT SHALL NOT BE DISCLOSED, IN WHOLE OR PART, TO ANY UNAUTHORIZED PERSON OR ENTITY NOR REPRODUCED, TRANSFERRED OR INCORPORATED IN ANY OTHER PROJECT IN ANY MANNER WITHOUT THE EXPRESS WRITTEN CONSENT OF SAMTEC, INC.</p>
DECIMALS	ANGLES	
.XX: ±.01 [.3]	2°	
.XXX: ±.005 [.13]		
.XXXX: ±.0020 [.051]		
MATERIAL:	DO NOT SCALE DRAWING	SHEET SCALE: 2:1
INSULATOR: LCP, UL 94 V-0, COLOR: BLACK LATCH: NICKEL-PLATED PHOS BRONZE BUTTON: NYLON, COLOR: WHITE		
F:\DWG\MISC\MKTG\ISDF-XX-D-X-MKT.SLDDRW		



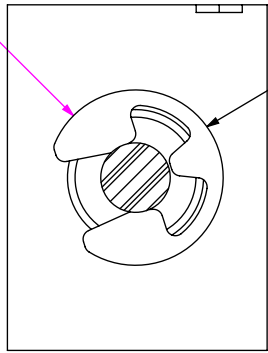
520 PARK EAST BLVD, NEW ALBANY, IN 47150
PHONE: 812-944-6733 FAX: 812-948-5047
e-Mail: info@SAMTEC.com code 53322

DESCRIPTION:	.050[1.27] DISCRETE WIRE INSULATOR & LATCH ASM
DWG. NO.	ISDF-XX-D-X
BY:	BRATCHER 11/16/2006
	SHEET 1 OF 3



DETAIL 'A'
SCALE 8:1

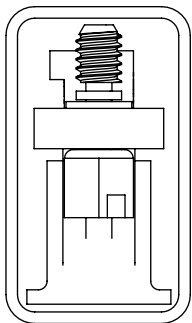
R.057 [1.45] REF



ACCRT-01

SECTION "B"-"B"
SCALE 8:1

PACKAGING VIEW
-S OPTION



TUBE: PT-1-24-08-15
PLUG: TP-03

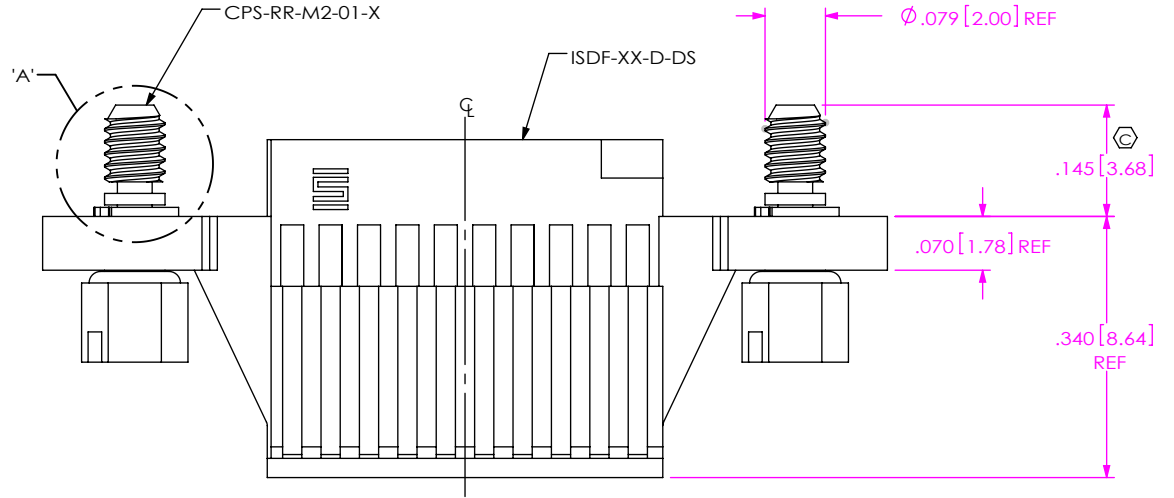
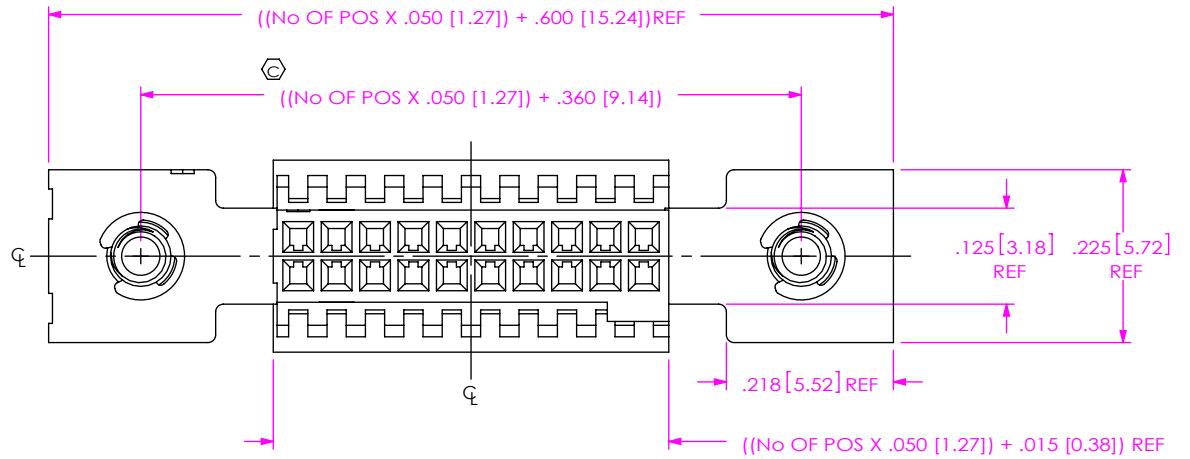


FIG 2
-S: DUAL SCREW DOWN OPTION
ISDF-10-D-S SHOWN
(DIFFERENT AS SHOWN, OTHERWISE SAME AS FIG 1)

PROPRIETARY NOTE
THIS DOCUMENT CONTAINS CONFIDENTIAL AND PROPRIETARY INFORMATION AND ALL DESIGN, MANUFACTURING, REPRODUCTION, USE, PATENT RIGHTS AND SALES RIGHTS ARE EXPRESSLY RESERVED BY SAMTEC, INC. THIS DOCUMENT SHALL NOT BE DISCLOSED, IN WHOLE OR PART, TO ANY UNAUTHORIZED PERSON OR ENTITY NOR REPRODUCED, TRANSFERRED OR INCORPORATED IN ANY OTHER PROJECT IN ANY MANNER WITHOUT THE EXPRESS WRITTEN CONSENT OF SAMTEC, INC.

DO NOT SCALE DRAWING

SHEET SCALE: 4:1



520 PARK EAST BLVD, NEW ALBANY, IN 47150
PHONE: 812-944-6733 FAX: 812-948-5047
e-Mail info@SAMTEC.com code 55322

DESCRIPTION:
.050[1.27] DISCRETE WIRE INSULATOR & LATCH ASM

DWG. NO.
ISDF-XX-D-X

BY: BRATCHER 11/16/2006 SHEET 2 OF 3

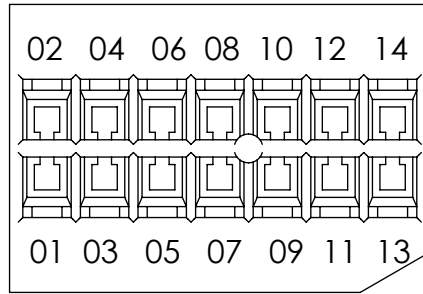


FIG 3
ISDF-07-D-C SHOWN
(DIFFERENT AS SHOWN, OTHERWISE SAME AS FIG 1)

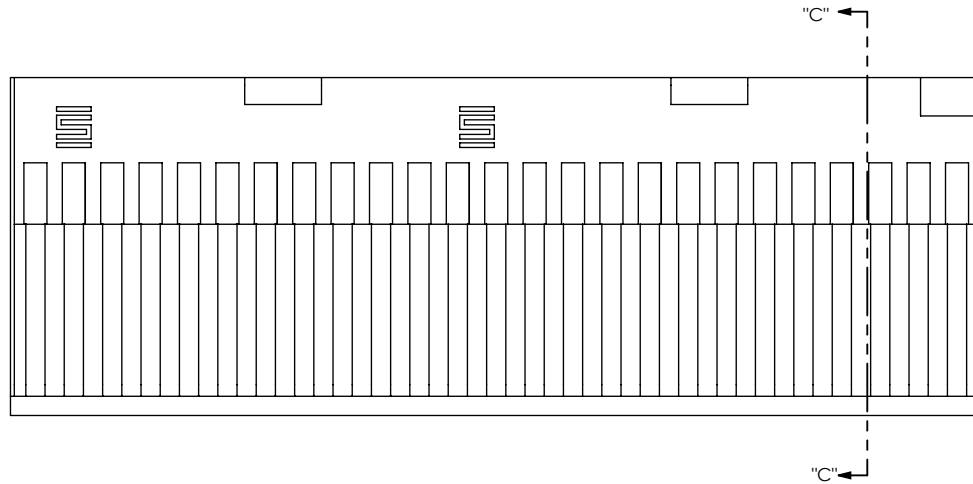
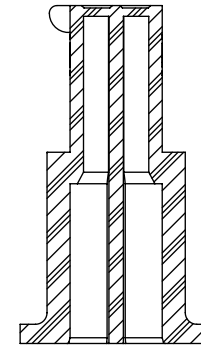


FIG 4
ISDF-25-D-L SHOWN
(DIFFERENT AS SHOWN, OTHERWISE SAME AS FIG 1)



SECTION "C"-"C"

PROPRIETARY NOTE
THIS DOCUMENT CONTAINS CONFIDENTIAL AND PROPRIETARY INFORMATION AND ALL DESIGN, MANUFACTURING, REPRODUCTION, USE, PATENT RIGHTS AND SALES RIGHTS ARE EXPRESSLY RESERVED BY SAMTEC, INC. THIS DOCUMENT SHALL NOT BE DISCLOSED, IN WHOLE OR IN PART, TO ANY UNAUTHORIZED PERSON OR ENTITY NOR REPRODUCED, TRANSFERRED OR INCORPORATED IN ANY OTHER PROJECT IN ANY MANNER WITHOUT THE EXPRESS WRITTEN CONSENT OF SAMTEC, INC.

DO NOT SCALE DRAWING

SHEET SCALE: 4:1



520 PARK EAST BLVD, NEW ALBANY, IN 47150
PHONE: 812-944-6733 FAX: 812-948-5047
e-Mail info@SAMTEC.com code 55322

DESCRIPTION:
.050[1.27] DISCRETE WIRE INSULATOR & LATCH ASM

DWG. NO.

ISDF-XX-D-X

BY: BRATCHER 11/16/2006 SHEET 3 OF 3