

RF, MICROWAVE, AND MILLIMETER WAVE PRODUCTS

Selection Guide 2018



Contents

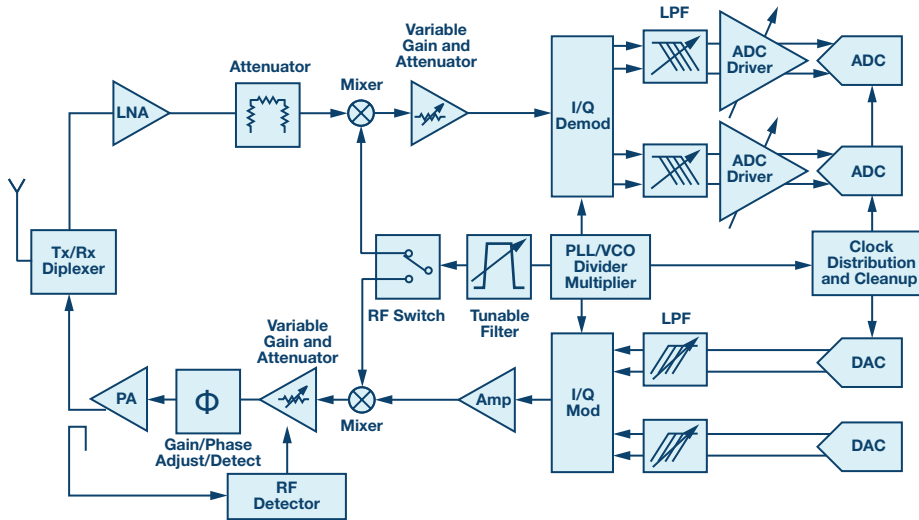
Introduction	4	Attenuators	19
New Product Listing	4	Digital Step Attenuators	19
Low Noise Amplifiers	4	Voltage Variable Attenuators	19
RF/IF Differential Amplifiers	4	Fixed Attenuators	19
Wideband Distributed Amplifiers	5	RF Mixers	21
Linear and Power Amplifiers	5	Single, Double, and Triple Balanced Mixers	21
GaN Power Amplifiers	5	I/Q Mixers and Image Reject Mixers	23
Digitally Controlled VGAs	5	Subharmonic Mixers	23
Baseband Programmable VGA Filters	5	I/Q Downconverters/Receivers	24
Digital Step Attenuators	5	I/Q Upconverters/Transmitters	24
Voltage Variable Attenuators	6	Mixers with Integrated LO	25
Single, Double, and Triple Balanced Mixers	6	I/Q Modulators and Demodulators	28
I/Q Mixers and Image Reject Mixers	6	I/Q Modulators	28
I/Q Downconverters/Receivers	6	I/Q Demodulators	28
I/Q Upconverters/Transmitters	7	I/Q Modulators with Integrated LO	29
I/Q Modulators	7	I/Q Demodulators with Integrated LO	29
I/Q Demodulators	7	Integrated Transceivers, Transmitters, and Receivers	31
I/Q Demodulators with Integrated LO	7	Microwave and Millimeter Wave	
RadioVerse® Integrated Transceivers	7	Integrated Transmitters/Receivers	31
Fractional-N/Integer-N PLLs	7	Intermediate Frequency Subsystems	31
Wideband Fractional-N/Integer-N PLLs with Integrated VCO	8	RadioVerse Integrated Transceivers	33
Frequency Dividers, Prescalers, and Counters	8	PLL/Synthesizers	34
TruPwr™ rms Responding Detectors	8	Integer-N PLLs	34
Envelope and Peak Detectors	8	Fractional-N/Integer-N PLLs	34
SPDT Switches	8	Integer-N PLLs with Integrated VCO	35
SP3T, SP4T, SP6T, SP8T Switches	8	Narrow-Band RF Fractional-N/Integer-N PLLs with VCO	35
A Letter from ADI's RF and Microwave Group's Management	9	Narrow-Band Fractional-N/Integer-N PLLs with Integrated VCO	36
RF Amplifiers	10	Wideband Fractional-N/Integer-N PLLs with Integrated VCO	36
RF/IF Differential Amplifiers	10	Voltage Controlled Oscillators	41
Low Noise Amplifiers	11	Low Current VCOs	41
Gain Blocks and Driver Amplifiers	12	High Performance VCOs	41
Wideband Distributed Amplifiers	13	Higher Power and Frequency VCOs	42
Linear and Power Amplifiers	14	Ultrawideband VCOs	42
GaN Power Amplifiers	15		
Active Bias Controllers	16		
Variable Gain Amplifiers	18		
Analog Controlled VGAs	18		
Digitally Controlled VGAs	18		
Baseband Programmable VGA Filters	18		

Frequency Dividers, Multipliers, and Detectors	43	Connectorized Modules	52
Frequency Dividers, Prescalers, and Counters	43	Connectorized Amplifier Modules	52
Frequency Multipliers—Active	43	Connectorized High Power Amplifier Modules	52
Frequency Multipliers—Passive	44	Connectorized Low Phase Noise Amplifier Modules	52
Phase Frequency Detectors	44	Connectorized Switches—SPST, SPDT, and SP4T	52
Tunable Harmonic Low-Pass Filters	44	Connectorized Attenuators—Digital and Analog	52
RF Power Detectors	45	Connectorized Block Upconverters	53
TruPwr rms Responding Detectors	45	Connectorized Frequency Dividers (Prescalers)	53
Log Detectors/Amplifiers	45	Connectorized Frequency Multipliers—Active	53
Envelope and Peak Detectors	46	Connectorized I/Q Mixers	53
SDLVAs	46	Connectorized Mixers	53
High Speed Logic	48	Connectorized Phase Shifters—Analog	53
1:2 and 1:4 Fanout Buffers	48	Connectorized Successive Detection Log Video Amplifiers (SDLVAs)	53
2:1 Selectors	48	Connectorized Dielectric Resonator Oscillators (DROs)	53
AND/NAND/OR/NOR	48	Connectorized Voltage Controlled Oscillators (VCOs)	54
Clock Dividers	48	Connectorized Synthesized Solutions—MicroSynth	54
D-Type Flip Flops	48	Phase Shifters and Vector Modulators	55
T-Flip Flops	48	Analog Phase Shifters	55
XOR/XNORs	49	Digital Phase Shifters	55
Muxes and Demuxes	49	Vector Modulators	55
Data Path Signal Conditioners	49	Analog Multipliers	55
Track-and-Hold Data	49	Timing ICs and Clocks	56
Digital Crosspoint Switches	49	Clock Dividers and Distribution	56
RF Switches	50	Multioutput Clock Generators	56
SPST Switches	50	Clock Generators and Synchronizers	57
SPDT Switches	50	Clock Buffers	57
SP3T, SP4T, SP6T, SP8T Switches	51	RF Design Tools	59
Bypass, Diversity, Matrix, and Transfer	51	ADIsimRF	59
		ADIsimPLL	59
		ADIsimFrequencyPlanner	59
		ADIsimCLK	59
		Virtual Eval	59
		X-Microwave	59
		Why ADI?	60
		Index	61
		Design Resources	64

Introduction

1000+ Ways to Drive RF and Microwave Performance

A unique combination of design skills. Deep systems knowhow. A diverse range of process technologies. That is what's behind the industry's broadest portfolio of RF ICs, covering the entire RF signal chain from dc to beyond 100 GHz. With over 1000 high performance RF ICs, and a broad range of single chip and module package options, Analog Devices offers a wide variety of RF function blocks, as well as highly integrated solutions for the communication, T&M instrumentation, and military markets. These products are supported by a full complement of RF design and development resources, including free design tools, FMC rapid prototyping platforms, Circuits from the Lab® reference designs, and EngineerZone® technical forums.



New Product Listing

Low Noise Amplifiers

Part Number	Description	Frequency (GHz)	Gain (dB)	Output P1dB (dBm)	Output IP3 (dBm)	Noise Figure (dB)	Device Match	V _s (V)	I _{sv} (mA)	Package (mm)	ECCN Code	Ordering Part Number
HMC392A	LNA	3.5 to 7	17.2	19.5	32.5	1.7	Internal	5	59	Die	EAR99	HMC392A
HMC392A	LNA	3.5 to 8	17	19	34.5	1.8	Internal	5	61	4 × 4 LFCSP	EAR99	HMC392ALC4
HMC8410	LNA	0.01 to 10	19	21	33	1.3	Internal	5	65	Die	EAR99	HMC8410
HMC7950	LNA	2 to 28	15	16	26	2	Internal	5	64	6 × 6 QFN	EAR99	HMC7950LS6
HMC1040	LNA	20 to 44	21	14	25.5	2.5	Internal	2.5	70	Die	3A001.b.2.d	HMC1040
HMC8325	LNA	71 to 86	21	13	22	3.6	Internal	3	50	Die	3A001.b.2.g	HMC8325
ADL7003	LNA	50 to 95	14	14	21	5	Internal	3	120	Die	3A001.b.2.7	ADL7003CHIPS

RF/IF Differential Amplifiers

Part Number	Description	Frequency (MHz)	Gain Range (dB)	Output IP3 (dBm)	2 nd /3 rd Harmonic (dBc)	Noise Figure at Max Gain (dB)	V _s (V)	I _{sv} (mA)	Package (mm)	ECCN Code	Ordering Part Number
ADL5569	Differential amplifier/ADC driver	0 to 6500	20	41	-78/-71	9.3	5	86	2.5 × 3 LFCSP	EAR99	ADL5569BCPZ

■ = Simulation models available in ADI's ADIsimRF and/or ADIsimPLL simulation tools.

Wideband Distributed Amplifiers

Part Number	Description	Frequency (GHz)	Gain (dB)	Output P1dB (dBm)	Output IP3 (dBm)	Noise Figure (dB)	Device Match	V _S (V)	I _{SV} (mA)	Package (mm)	ECCN Code	Ordering Part Number
HMC637B	Distributed	0 to 7.5	15.5	28	39	3.5	Internal	12	345	5 × 5 LFCSP	EAR99	HMC637BPM5E
HMC797A	1 W, distributed	0 to 22	15	29	41	3	Internal	10	400	Die	EAR99	HMC797A
HMC797A	1 W, distributed	0 to 22	15	29	41	3.5	Internal	10	400	5 × 5 LFCSP	EAR99	HMC797APM5E
HMC998A	2 W, distributed	0 to 22	14.5	32.5	43	2.5	Internal	15	500	Die	EAR99	HMC998A
HMC998A	2 W, distributed	0 to 22	15	32	42	3	Internal	15	500	5 × 5 LFCSP	EAR99	HMC998APM5E
HMC907A	0.6 W, distributed	0.2 to 22	14	28	41	3	Internal	10	350	Die	EAR99	HMC907A
HMC907A	0.6 W, distributed	0.2 to 22	14	28	40	3	Internal	10	350	5 × 5 LFCSP	EAR99	HMC907APM5E
HMC994A	0.8 W, distributed	0 to 28	15	28	38	3.5	Internal	10	250	5 × 5 LFCSP	EAR99	HMC994APM5E
HMC994A	0.5 W, distributed	0 to 30	14.5	28	39	3.5	Internal	10	250	Die	EAR99	HMC994A

Linear and Power Amplifiers

Part Number	Description	Frequency (GHz)	Gain (dB)	Output P1dB (dBm)	Output IP3 (dBm)	Noise Figure (dB)	Device Match	V _S (V)	I _{SV} (mA)	Package (mm)	ECCN Code	Ordering Part Number
HMC863A	Power amp	24 to 29.5	24	27	38.5	4.5	Internal	5.5	350	4 × 4 QFN	EAR99	HMC863ALC4
HMC943A	Power amp	24 to 31.5	21	32	41	—	Internal	5.5	1200	5 × 5 LFCSP	3A001.b.2.d	HMC943ALP5DE
HMC1132	Power amp	27 to 32	22	30	35	—	Internal	6	600	5 × 5 LFCSP	3A001.b.2.d	HMC1132LP5DE
HMC906A	Power amp	27.3 to 33.5	26.5	33	43	—	Internal	5	1200	Die	3A001.b.2.d	HMC906A
ADMV7710	Power amp	71 to 76	24	28	34	—	Internal	4	800	Die	5A991.b, EAR99	ADMV7710CHIPIS
ADMV7810	Power amp	81 to 86	20	28	33	—	Internal	4	800	Die	5A991.b, EAR99	ADMV7810CHIPIS

GaN Power Amplifiers

Part Number	Description	Frequency (GHz)	Gain (dB)	Output P1dB (dBm)	Output IP3 (dBm)	Noise Figure (dB)	Device Match	P _{SAT} (dBm)	V _S (V)	I _{SV} (mA)	Package (mm)	ECCN Code	Ordering Part Number
HMC8500*	>10 W, GaN PA	0.01 to 2.8	16	40	48	5	Internal	41	28	100	5 × 5 LFCSP	EAR99	HMC8500LP5DE
HMC1114	10 W, GaN PA	2.7 to 3.8	25.5	41	44	14	Internal	41.5	28	150	5 × 5 LFCSP	3A001.b.2.a.4	HMC1114LP5DE
HMC8205	35 W, GaN PA	0.3 to 6	20	45	47	—	Internal	46	50	1300	LDCC (flange)	3A001.b.2.a.4	HMC8205BF10

Digitally Controlled VGAs

Part Number	Description	Bandwidth (GHz)	Gain Range (dB)	Step (dB)	Output IP3 (dBm)	Noise Figure (dB)	V _S (V)	I _S (mA)	Package (mm)	ECCN Code	Ordering Part Number
ADL5335	Differential-in, single-ended out, serial control	0.7 to 4.2	-8 to +12	0.5	33	5.4	5	125	4 × 4 LFCSP	5A991.g	ADL5335ACPZN
HMC625B	Gain block/VGA/driver amp parallel/serial control	0 to 5	-13.5 to +18	0.5	33	6	5	87.5	5 × 5 LFCSP	EAR99	HMC625BLP5E

Baseband Programmable VGA Filters

Part Number	Description	Bandwidth (MHz)	Gain Range (dB)	Output IP3 (dBm)	Noise Figure (dB)	V _S (V)	I _S (mA)	Package (mm)	ECCN Code	Ordering Part Number
ADRF6520	Dual, with selectable LPF for E-band	LF to 1250	-6 to +54	27 dBV	11	3.3	420	5 × 5 LFCSP	5A991.b	ADRF6520ACPZ-R7

Digital Step Attenuators

Part Number	Description	Frequency (GHz)	Insertion Loss (dB)	Atten Range (dB)	Step (dB)	Input IP3 (dBm)	P0.1 dB (dBm)	Control Input (V _{DC})	Package (mm)	ECCN Code	Ordering Part Number
HMC8073	6-bit serial DSA	0.6 to 3	1.1	1.5 to 34	0.5	52	28	3.3 to 5	3 × 3 LFCSP	EAR99	HMC8073LP3DE
HMC1019A*	5-bit DSA	0.1 to 30	4	0.5 to 15.5	0.5	45	25	0/5	4 × 4 LFCSP	EAR99	HMC1019ALP4E
HMC1018A*	5-bit DSA	0.1 to 30	5.5	4.5 to 35.5	1	42	22	0/5	4 × 4 LFCSP	EAR99	HMC1018ALP4E

Voltage Variable Attenuators

Part Number	Description	Frequency (GHz)	Insertion Loss (dB)	Attenuation Range (dB)	Input IP3 (dBm)	Control Input (V _{oc})	Package (mm)	ECCN Code	Ordering Part Number
HMC346A	Analog VVA	0 to 8	2.1	5 to 29	30	0 to -5	MSOP	EAR99	HMC346AMS8GE
HMC346A	Analog VVA	0 to 14	2.7	5 to 30	30	0 to -5	MSOP	EAR99	HMC346ALP3E
HMC346A	Analog VVA	0 to 18	2.8	5 to 30	30	0 to -5	3 × 3 LFCSP	EAR99	HMC346ALC3B
HMC712A	Analog VVA	5 to 26.5	3.5	10 to 42	32	0 to -5	3 × 3 LFCSP	EAR99	HMC712ALP3CE
HMC812A	Analog VVA	5 to 30	2.2	3 to 33	28	0 to -5	4 × 4 LFCSP	EAR99	HMC812ALC4
HMC985A	Analog VVA	10 to 40	3	3 to 33	33	0 to -3	4 × 4 LFCSP	EAR99	HMC985ALP4KE
HMC985A	Analog VVA	20 to 50	3.5	3 to 33	30	0 to -3	Die	EAR99	HMC985A

Single, Double, and Triple Balanced Mixers

Part Number	Description	RF (GHz)	LO (GHz)	IF (GHz)	Conversion Gain (dB)	Input IP3 (dBm)	LO/RF Isolation (dB)	LO/IF Isolation (dB)	Noise Figure (dB)	Input P1dB (dBm)	LO Drive Nominal (dBm)	Package (mm)	ECCN Code	Ordering Part Number
HMC213B	Passive	1.5 to 4.5	1.5 to 4.5	0 to 1.5	-10	21	32	30	10	11	13	MSOP8	EAR99	HMC213BMS8GE
LTC5562	Active low power	LF to 7	DC to 9	DC to 7	1	18	34	38	14.6	5	-1	2 × 2 QFN	EAR99	LTC5562IUC#TRPBF
LTC5556	Dual active, with VGA	1.5 to 7	0.5 to 8	0.001 to 0.9	-6.1 to +9.1	23	46	—	15.2	10.9	0	5 × 5 QFN	EAR99	LTC5556IUH#TRPBF
HMC219B	Passive	2.5 to 7	2.5 to 7	0 to 3	-9	18	40	35	9	11	13	MSOP	EAR99	HMC219BMS8GE
HMC129A	Passive	4 to 8	4 to 8	0 to 3	-7	17	40	40	7	10	15	4 × 4 LFCSP	EAR99	HMC129ALC4
HMC220B	Passive	5 to 12	5 to 12	0 to 4	-10	18	57	38	10	9.5	10	MSOP	EAR99	HMC220BMS8GE
HMC558A*	Passive	5.5 to 14	5.5 to 14	0 to 6	-7.5	21	45	45	7.5	11.5	15	3 × 3 LFCSP	EAR99	HMC558ALC3B
HMC1048A	Passive	2.25 to 18	2.25 to 18	0 to 4	-10	20	30	30	10	11	13	3 × 3 LFCSP	EAR99	HMC1048ALC3B
HMC554A	Passive	10 to 20	10 to 20	0 to 6	-8.5	20	37	41	9.5	21	13	3 × 3 LFCSP	EAR99	HMC554ALC3B
HMC260A	Passive	10 to 26	10 to 26	0 to 8	-8.5	22	40	37	11.5	12	13	Die	EAR99	HMC260A
HMC260A	Passive	10 to 26	10 to 26	0 to 8	-8.5	22	40	37	11.5	12	13	3 × 3 LFCSP	EAR99	HMC260ALC3B
HMC292A	Passive	14 to 32	14 to 32	0 to 8	-9	20	46	34	11	12	13	Die	EAR99	HMC292A
HMC292A	Passive	14 to 30	14 to 30	0 to 8	-9	19	48	40	10.5	12	13	3 × 3 LCC	EAR99	HMC292ALC3B
HMC774A	Passive	7 to 34	7 to 34	0 to 8	-12	20	30	23	12	12	15	3 × 3 LFCSP	EAR99	HMC774ALC3B

I/Q Mixers and Image Reject Mixers

Part Number	Description	RF (GHz)	LO (GHz)	IF (GHz)	Conversion Gain (dB)	Input IP3 (dBm)	Image Rejection (dB)	LO/RF Isolation (dB)	LO/IF Isolation (dB)	Input P1dB (dBm)	LO Drive Nominal (dBm)	Package (mm)	ECCN Code	Ordering Part Number
HMC8193	I/Q and IRM	2.5 to 8.5	2.5 to 8.5	0 to 4	-9	20	25	48	38	13	18	4 × 4 LFCSP	EAR99	HMC8193LC4
HMC525A	I/Q and IRM	4 to 8.5	4 to 8.5	0 to 3.5	-8	20	30	47	23	13	15	4 × 4 LFCSP	EAR99	HMC525ALC4
HMC520A	I/Q and IRM	6 to 10	6 to 10	0 to 3.5	-8	19	23	43	25	10	15	4 × 4 LFCSP	EAR99	HMC520ALC4
HMC524A	I/Q and IRM	22 to 32	22 to 32	0 to 4.5	-9	18	26	35	25	17	17	3 × 3 LFCSP	EAR99	HMC524ALC3B

I/Q Downconverters/Receivers

Part Number	Description	RF (GHz)	LO (GHz)	IF (GHz)	Conversion Gain (dB)	Input IP3 (dBm)	Image Rejection (dBc)	Noise Figure (dB)	LO Drive Nominal (dBm)	V _{SUPPLY} (V)	I _{SUPPLY} (mA)	Package (mm)	ECCN Code	Ordering Part Number
HMC951A	Low noise, I/Q downconverter	5.6 to 8.6	4.5 to 12.1	DC to 3.5	13	3	32	2	0	5	155	4 × 4 LFCSP	EAR99	HMC951ALP4E
ADMV1010	I/Q downconverter	12.6 to 15.4	9 to 12.6	2.7 to 3.5	15	1	25	2	0	4	160	4.9 × 4.9 LCC	EAR99	ADMV1010AEZ
ADMV1012	I/Q downconverter	17.5 to 24	7 to 13.5	2.5 to 3.5	15	3	25	2.1	0	3.3	238	4.9 × 4.9 LCC	EAR99	ADMV1012AEZ
HMC8326	E-band I/Q downconverter SiP	71 to 76	11.5 to 13	0 to 2	12	1	30	6	4	4, 1.5, 3	175, 80, 50	SiP	5A991.b, EAR99	HMC8326LG
HMC7586	E-band I/Q downconverter	71 to 76	11.83 to 14.33	0 to 10	12.5	-1	28	5	2	4, 1.5, 3	175, 80, 50	Die	5A991.b	HMC7586
HMC8327	E-band I/Q downconverter SiP	81 to 86	13.2 to 14.6	0 to 2	8.5	2	30	6	4	4, 1.5, 3	175, 80, 50	SiP	5A991.b, EAR99	HMC8327LG
HMC7587	E-band I/Q downconverter	81 to 86	11.83 to 14.33	0 to 10	10	-2	30	6	2	4, 1.5, 3	175, 80, 50	Die	5A991.b	HMC7587

I/Q Upconverters/Transmitters

Part Number	Description	RF (GHz)	LO (GHz)	IF (GHz)	Conversion Gain (dB)	Output IP3 (dBm)	Sideband Rejection (dBc)	LO Drive Nominal	V _{SUPPLY} (V)	I _{SUPPLY} (mA)	Package (mm)	ECCN Code	Ordering Part Number
HMC6505A	I/Q upconverter	5.6 to 8.6	2.5 to 11.6	0 to 3	15	35	22	4	5	225	5 × 5 LFCSP	EAR99	HMC6505ALC5
ADMV1009	Differential I/Q upconverter	12.7 to 15.4	9 to 12.6	2.8 to 4	21	35	20	0	+5, -1.1	250, 60	5 × 5 LFCSP	EAR99	ADMV1009AEZ
HMC7911	I/Q upconverter	17 to 20	8.5 to 11.75	0 to 3.5	18	33	30	4	5	320	5 × 5 LFCSP	EAR99	HMC7911LP5E
ADMV1011	I/Q upconverter	17 to 24	8 to 12	2 to 4	21	33	32	0	+3.5, +5, -1.8	160, 220, 75	4.9 × 4.9 LCC	EAR99	ADMV1011AEZ
HMC7912	I/Q upconverter	21 to 24	8.75 to 12	0 to 3.5	15	33	22	4	5	320	5 × 5 LFCSP	EAR99	HMC7912LP5E
HMC815B	I/Q upconverter	21 to 27	10.5 to 14.5	0 to 3.75	12	27	22	4	4.5	350	5 × 5 LFCSP	EAR99	HMC815BLC5
HMC7584	E-band I/Q upconverter SiP	71 to 76	11.8 to 12.7	0 to 2	27.5 to 39	31	20	4	+4, +4, +4, -1	905	SiP	5A991.b, EAR99	HMC7584LG
HMC7585	E-band I/Q upconverter SiP	81 to 86	13.4 to 14.6	0 to 2	27.5 to 39	30	20	4	4, 1.5, 3	905	SiP	5A991.b, EAR99	HMC7585LG

I/Q Modulators

Part Number	Description	RF Frequency (GHz)	LO Spur (dBm)	Sideband Suppression (dBc)	Noise (dBm/Hz)	Output P1dB (dBm)	Output IP3 (dBm)	Baseband Bandwidth @ 3 dB (MHz)	V _S (V)	I _{SY} (mA)	Package (mm)	ECCN Code	Ordering Part Number
ADRF6780	Wideband	5.9 to 23.6	-25	25	-147	11	27	750	3.3, 5	490, 160	5 × 5 LFCSP	5A991.h	ADRF6780ACPZN-R7

I/Q Demodulators

Part Number	Description	RF Frequency (GHz)	Gain Error (dB)	Phase Error (°)	Noise Figure (dB)	Input P1dB (dBm)	Input IP3 (dBm)	Baseband Bandwidth @ 3 dB (MHz)	V _S (V)	I _{SY} (mA)	Package (mm)	ECCN Code	Ordering Part Number
LTC5594	Ultrawideband, with VGA, digital IR cal	0.3 to 9	0.06	1.6	21.2	4	27.8	1000	5	470	5 × 5 QFN	EAR99	LTC5594IUH#TRPBF

I/Q Demodulators with Integrated LO

Part Number	Description	RF Frequency (GHz)	PLL Phase Noise @ 10 kHz Offset (dBc/Hz)	PLL Phase Noise @ 1 MHz Offset (dBc/Hz)	Gain Error (dB)	Phase Error (°)	Noise Figure (dB)	Input P1dB (dBm)	Input IP3 (dBm)	Baseband Bandwidth @ 3 dB (MHz)	V _S (V)	I _{SY} (mA)	Package (mm)	ECCN Code	Ordering Part Number
ADRF6821	DPD receiver with frac-N PLL/VCO	0.45 to 2.8	-97	-138	0.12	<0.5	17	2	24	500	3.3	273, 303	8 × 8 LFCSP	5A991.b, EAR99	ADRF6821ACPZ

RadioVerse Integrated Transceivers

Part Number	Product Features	Functionality	RF Tuning Range	Bandwidth	Rx Image Rejection* (dB)	Rx NF/IIP3	Tx OIP3 (dBm)	EVM	Package (mm)	DPD Engine
ADRV9009	Multichip sync for massive MIMO; integrated AGC, dc offset, QEC correction; digital filters; 12 Gbps JESD204B	2 Tx, 2 Rx (TDD)	100 MHz to 6 GHz	200 MHz Rx, 450 MHz Tx, ORx	75	12 dB/15 dBm	27	-43	12 × 12	—
ADRV9008-1/ ADRV9008-2	Multichip sync for massive MIMO; integrated AGC, dc offset, QEC correction; digital filters; 12 Gbps JESD204B	2 Rx, 2 Tx, 1 ORx (FDD)	100 MHz to 6 GHz	200 MHz Rx, 450 MHz Tx, ORx	75	12 dB/15 dBm	27	-43	12 × 12	—

Fractional-N/Integer-N PLLs

Part Number	Description	Frequency (GHz)	Figure of Merit (dBc/Hz)	PFD _{MAX} (MHz)	V _S (V)	I _{SY} (mA)	Package (mm)	ECCN Code	Ordering Part Number
ADF4152HV	Frac-N/int-N PLL, 30 V charge pump	0.5 to 5	-213	26	3.3	50	5 × 5 LFCSP	5A991.b	ADF4152HVBCPZ

Wideband Fractional-N/Integer-N PLLs with Integrated VCO

Part Number	Description	Frequency (GHz)	Phase Noise Frequency = 10 GHz	Open-Loop VCO Phase Noise @ 100 kHz (dBc/Hz)	Open-Loop VCO Phase Noise @ 1 MHz (dBc/Hz)	Figure of Merit (dBc/Hz)	PFD _{MAX} Frac-N Mode (MHz)	V _S (V)	I _{SY} (mA)	Package (mm)	ECCN Code	Ordering Part Number
ADF4356*	Wideband frac-N/int-N PLL and VCO	0.053 to 6.8	—	-115	-137	-227	125	3.3/5	110/80	5 × 5 LFCSP	5A991.b	ADF4356BCPZ
ADF5356*	Wideband frac-N/int-N PLL and VCO	0.053 to 13.6	-121	-107	-129	-227	125	3.3/5	110/80	5 × 5 LFCSP	EAR99	ADF5356BCPZ

Frequency Dividers, Prescalers, and Counters

Part Number	Description	Input Frequency (GHz)	Output Frequency (GHz)	Input Power (dBm)	Output Power (dBm)	Phase Noise @ 100 kHz Offset (dBc/Hz)	V _S (V)	I _{SY} (mA)	Package (mm)	ECCN Code	Ordering Part Number
HMC862A	Programmable divider N = 1 to 8	0.1 to 24	Variable	-5 to +10	-3 to +6	-153	5	73	3 × 3 LFCSP	EAR99	HMC862ALP3E

TruPwr rms Responding Detectors

Part Number	Description	Input Frequency (GHz)	Input Range (dBm)	Dynamic Range (dB)	V _S (V)	I _{SY} (mA)	Package (mm)	ECCN Code	Ordering Part Number
ADL5904	Linear-in-dB rms with threshold detector	0 to 6	-30 to +15	45	3.3	3	3 × 3 LFCSP	EAR99	ADL5904ACPZN-R7

Envelope and Peak Detectors

Part Number	Description	Frequency (GHz)	Envelope Bandwidth (MHz)	Input Range (dBm)	Dynamic Range (dB)	Response Time (ns)	V _S (V)	I _{SY} (mA)	Package (mm)	ECCN Code	Ordering Part Number
ADL5910	Threshold detector	0 to 6	100	-30 to +15	45	12	3.3	3.5	3 × 3 LFCSP	EAR99	ADL5910ACPZN-R7

SPDT Switches

Part Number	Description	Frequency (GHz)	Insertion Loss (dB)	Isolation (dB)	Input P1dB (dBm)	Input P0.1dB (dBm)	Input IP3 (dBm)	Control Input (V _{DC})	Package (mm)	ECCN Code	Ordering Part Number
ADRF5160	Reflective	0.7 to 4	0.8	45	—	47	70	TTL-/CMOS-compatible	5 × 5 LFCSP	EAR99	ADRF5160BCPZ-R7
ADRF5132	20 W, reflective	0.7 to 5	0.6	45	—	42.5	65	0/3.3 to 5	3 × 3 LFCSP	EAR99	ADRF5132BCPZN
HMC347B	Nonreflective	0.1 to 20	1.7	45	25	—	41	—	Die	EAR99	HMC347B
ADRF5024	SPDT, reflective	0.1 to 44	1.4	36	27.5	—	50	0/3.3	2.25 × 2.25 LGA	EAR99	ADRF5024BCCZN
ADRF5025	SPDT, reflective	9 kHz to 44	1.4	36	27.5	—	50	0/3.3	2.25 × 2.25 LGA	EAR99	ADRF5025BCCZN

SP3T, SP4T, SP6T, SP8T Switches

Part Number	Description	Frequency (GHz)	Insertion Loss (dB)	Isolation (dB)	Input P1dB (dBm)	Input P0.1dB (dBm)	Input IP3 (dBm)	Control Input (V _{DC})	Package (mm)	ECCN Code	Ordering Part Number
ADRF5250	SP5T	0.1 to 6	1.5	50	—	34	57	0/5	4 × 4 LFCSP	EAR99	ADRF5250BCPZ
ADRF5044	SP4T	0.1 to 30	2.9	43	28	26	50	CMOS/LVTTL	4 × 4 LGA	EAR99	ADRF5044BCCZN
ADRF5045	SP4T	~0 to 30	2.9	45	28	26	50	CMOS/LVTTL	4 × 4 LGA	EAR99	ADRF5045BCCZN

A Letter from ADI's RF and Microwave Group's Management

Welcome to the 2018 selection guide. With more than 1000 commercially available parts, Analog Devices has the industry's broadest RF, microwave, and millimeter wave portfolio—and it continues to grow. We have created the *RF, Microwave, and Millimeter Wave Products Selection Guide* to give you quick and easy access to information so you can find the best parts for your design.

A Rich Heritage

By bringing together the combined talents and products of Analog Devices, Hittite Microwave, and Linear Technology, we continue to invest significant resources to design products to solve your toughest challenges. Our innovative, high performance circuits are built on the most advanced process technologies, including GaN, GaAs, CMOS, SOI, and SiGe, and they also incorporate advanced packaging techniques. Our full range of products includes single function MMICs to functionally integrated products and even fully connectorized modules to provide maximum design flexibility.

Highlights

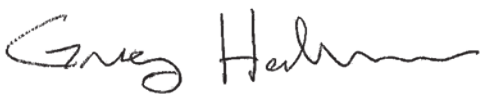
Because of the rapid growth of global mobile data needs, industrial sensor applications, and military radars, and the increasing interest in 5G and IoT (Internet of Things), companies today require complete signal chain solutions so they can bring products to market faster. There's very little time to select individual components from multiple vendors and make them work together for their desired application. We realize this is a critical shift in the design approach, and so we've created this new selection guide that simplifies part selection for your design needs. It features:

- ▶ New RadioVerse fully integrated transceivers
- ▶ New GaN power amplifiers with high power efficiency
- ▶ New wideband switches with outstanding insertion loss
- ▶ A complete selection of parts for each component in the RF signal chain
- ▶ Clearly highlighted parts that are available in the ADIsimRF and ADIsimPLL simulation tools
- ▶ Highlighted parts such as X-Microwave's X-MWblocks for quick, modular evaluations

In order to simplify the overall design process, our RF and microwave products are complemented with a range of RF design and development resources, including free design tools, FMC rapid prototyping platforms, Circuits from the Lab® reference designs, and EngineerZone® technical forums. In this guide we have specifically highlighted parts that are also available in Analog Devices' RF simulation tools.

These are exciting times in the RF and microwave industry. ADI is committed to provide the best possible long-term support and service to our customers for a positive engagement experience. We're glad to have the opportunity to provide innovative technical solutions to help you develop a smarter and more connected world.

Sincerely,



Greg Henderson
Vice President,
RF and Microwave Group



RF Amplifiers

RF/IF Differential Amplifiers

Part Number	Description	Frequency (MHz)	Gain Range (dB)	Output IP3 (dBm)	2 nd /3 rd Harmonic (dBc)	Noise Figure at Max Gain (dB)	V _s (V)	I _{sv} (mA)	Package (mm)	ECCN Code	Ordering Part Number
LT1994	R/R output, resistor programmed	0 to 70	0 to 40	—	-88/-84	—	+3, +5, ±5	14.8	3 × 3 DFN MSOP	EAR99	LT1994CDD#TRPBF LT1994IDD#TRPBF LT1994HDD#TRPBF LT19994MPDD#TRPBF LT19994CMS8#TRPBF LT19994IMS8#TRPBF
AD8372	Dual DVGA, 1 dB step	1 to 130	-9 to +32	35	-78/-85	7.9	5	212	5 × 5 LFCSP	EAR99	AD8372ACPZ-R7
LTC6403-1	Resistor programmed	0 to 200	0 to 40	28	-76/-74	10.8	3, 5	11	3 × 3 QFN	EAR99	LTC6403CUD-1#TRPBF LTC6403IUD-1#TRPBF
LT6402-6	Fixed 6 dB gain	0 to 300	6	36	-84/-84	12.6	5	30	3 × 3 QFN	EAR99	LT6402CUD-6#TRPBF LT6402IUD-6#TRPBF
LT6402-12	Fixed 12 dB gain	0 to 300	12	37	-82/-73	15.1	5	30	3 × 3 QFN	EAR99	LT6402CUD-12#TRPBF LT6402IUD-12#TRPBF
LT6402-20	Fixed 20 dB gain	0 to 300	20	36.5	-80/-80	12.5	5	30	3 × 3 QFN	EAR99	LT6402CUD-20#TRPBF LTC6402IUD-20#TRPBF
LTC6404-1	Unity-gain stable, resistor programmed	0 to 500	0	41.5	-102/-90	13.4	3, 5	27.8	3 × 3 QFN	EAR99	LTC6404CUD-1#TRPBF LTC6404IUD-1#TRPBF LTC6404HUD-1#TRPBF
AD8375	Dual DVGA, 1 dB step	15 to 630	-4 to +20	50	-85/-92	8.3	5	125	4 × 4 LFCSP	EAR99	AD8375ACPZ-R7
LT6411	Dual selectable gain	0.1 to 650	+1, -2, -1	30	-63/-52	24.7	5, 12	16	3 × 3 QFN	EAR99	LT6411CUD#TRPBF LT6411IUD#TRPBF
LTC6405	Resistor programmed	0 to 700	0 to 40	23.4	-82/-65	7.5	5	18	3 × 3 QFN	EAR99	LTC6405CUD#TRPBF LTC6405IUD#TRPBF
LT1993-10	Fixed 20 dB gain	0 to 700	20	40	-77/-67	12.7	5	100	3 × 3 QFN	EAR99	LT1993CUD-10#TRPBF LT1993IUD-10#TRPBF
ADL5201	DVGA, parallel and serial control, 0.5 dB step	10 to 700	-11.5 to +20	51	-89/-97	7.5	5	110	4 × 4 LFCSP	EAR99	ADL5201ACPZ-R7
ADL5202	Dual DVGA, parallel and serial control, 0.5 dB step	10 to 700	-11.5 to +20	50	-86/-105	7.5	5	210	6 × 6 LFCSP	EAR99	ADL5202ACPZ-R7
AD8376	Dual DVGA, 1 dB step	15 to 700	-4 to +20	50	-82/-91	8.7	5	250	5 × 5 LFCSP	EAR99	AD8376ACPZ-R7
AD8370	DVGA, <1 dB step	10 to 750	-8 to +34	35	-65/-62	7.2	3, 5	79	TSSOP	EAR99	AD8370AREZ-RL7
LT1993-2	Fixed 6 dB gain	0 to 800	6	38	-72/-69	12.3	5	100	3 × 3 QFN	EAR99	LT1993CUD-2#TRPBF LT1993IUD-2#TRPBF
LT1993-4	Fixed 12 dB gain	0 to 900	12	40	-76/-70	14.5	5	100	3 × 3 QFN	EAR99	LT1993CUD-4#TRPBF LT1993IUD-4#TRPBF
LTC6404-2	>6 dB gain resistor programmed	0 to 900	>6	45	-98/-98	10	3, 5	30.4	3 × 3 QFN	EAR99	LTC6404CUD-2#TRPBF LTC6404IUD-2#TRPBF LTC6404HUD-2#TRPBF
AD8350	Fixed-gain	1 to 900	15	28	-66/-65	6.8	5	28, 30	SOIC	EAR99	AD8350ARMZ15-REEL7
AD8350	Fixed-gain	1 to 900	20	28	-66/-65	6.8	5	28, 30	MSOP	EAR99	AD8350ARMZ20-REEL7
LTC6401-20	Fixed 20 dB gain	0 to 1300	20	30.5	-80/-57	6.4	3	50	3 × 3 QFN	EAR99	LTC6401CUD-20#TRPBF LTC6401IUD-20#TRPBF
LTC6421-20	Dual matched differential amplifiers	0 to 1300	20	33.2	-74/-78	6.2	3	80	3 × 4 QFN	EAR99	LTC6421CUDC-20#TRPBF LTC6421IUDC-20#TRPBF
LTC6432-15	Low noise to 100 kHz, fixed gain	0.1 to 1400	15.9	50.3	-92.2/-90	3.2	5	166	4 × 4 QFN	EAR99	LTC6432AIUF-15#TRPBF
LTC6432-15	Low noise to 100 kHz, fixed gain	0.1 to 1400	15.9	47	-92.2/-90	3.2	5	166	4 × 4 QFN	EAR99	LTC6432BIUF-15#TRPBF
LTC6410-6	Configurable R _{in}	0 to 1400	6	36	-85/-69	8	3, 5	125	3 × 3 QFN	EAR99	LTC6410CUD-6#TRPBF LTC6410IUD-6#TRPBF
LTC6401-26	Fixed 26 dB gain	0 to 1600	26	40	-81/-54	6.5	3	45	3 × 3 QFN	EAR99	LTC6401CUD-26#TRPBF LTC6401IUD-26#TRPBF
LTC6417	Differential buffer with fast clamp	0 to 1600	0	39	-100/-66	13	5	123	3 × 4 QFN	EAR99	LTC6417CUDC#TRPBF LTC6417IUDC#TRPBF
LTC6420-20	Dual matched differential amplifiers	0 to 1800	20	37.2	-80/-88	6.2	3	160	3 × 4 QFN	EAR99	LTC6420CUDC-20#TRPBF LTC6420IUDC-20#TRPBF
ADL5205	Dual DVGA, parallel and serial control, 1 dB step	0 to 1700	-9 to +26	48.5	-75/-87.5	6.6	3.3, 5	175	6 × 6 LFCSP	5A991.b	ADL5205ACPZ-R7
LTC6404-4	>12 dB gain resistor programmed	0 to 1700	>12	45.5	-100/-100	8	3, 5	31	3 × 3 QFN	EAR99	LTC6404CUD-4#TRPBF LTC6404IUD-4#TRPBF LTC6404HUD-4#TRPBF
LTC6400-20	Fixed 20 dB gain	0 to 1800	20	41.5	-74/-74	6.5	3	90	3 × 3 QFN	EAR99	LTC6400CUD-20#TRPBF LTC6400IUD-20#TRPBF
LTC6400-14	Fixed 14 dB gain	0 to 1900	14	38	-78/-74	7.7	3	85	3 × 3 QFN	EAR99	LTC6400CUD-14#TRPBF
LTC6400-26	Fixed 26 dB gain	0 to 1900	26	38	-83/-72	6.9	3	85	3 × 3 QFN	EAR99	LTC6400CUD-26#TRPBF LTC6400IUD-26#TRPBF
LTC6401-14	Fixed 14 dB gain	0 to 2000	14	33	-79/-57	7.4	3	45	3 × 3 QFN	EAR99	LTC6401CUD-14#TRPBF LTC6401IUD-14#TRPBF
LTC6430-15	Fixed 15.2 dB gain	20 to 2000	15.2	50	-80.5/-87	3	5	160	4 × 4 QFN	EAR99	LTC6430AIUF-15#TRPBF
LTC6430-15	Fixed 15.2 dB gain	20 to 2000	15.2	47	-80.5/-87	3	5	160	4 × 4 QFN	EAR99	LTC6430BIUF-15#TRPBF
LTC6430-20	Fixed 20 dB gain	20 to 2060	20.8	51	-79.8/-80.9	2.9	5	170	4 × 4 QFN	EAR99	LTC6430AIUF-20#TRPBF

■ = Simulation models available in ADI's ADIsimRF and/or ADIsimPLL simulation tools.

RF/IF Differential Amplifiers (Continued)

Part Number	Description	Frequency (MHz)	Gain Range (dB)	Output IP3 (dBm)	2 nd /3 rd Harmonic (dBc)	Noise Figure at Max Gain (dB)	V _S (V)	I _{SY} (mA)	Package (mm)	ECCN Code	Ordering Part Number
LTC6430-20	Fixed 20 dB gain	20 to 2060	20.8	47	-79.8/-80.9	2.9	5	170	4 × 4 QFN	EAR99	LTC6430BIUF-20#TRPBF
LTC6416	Differential buffer with prog output clamp	0.1 to 2000	0	40	-75/-59	6.4	3	42	3 × 2 DFN	EAR99	LTC6416CDD#TRPBF LTC6416IDDB#TRPBF
LTC6400-8	Fixed 8 dB gain	0 to 2200	8	37.5	-86/-71	7.7	3	85	3 × 3 QFN	EAR99	LTC6400IUD-8#TRPBF LTC6400IUD-8#TRPBF
LTC6401-8	Fixed 8 dB gain	0 to 2200	8	33.5	-78/-59	12.3	3	45	3 × 3 QFN	EAR99	LTC6401IUD-8#TRPBF LTC6401IUD-8#TRPBF
AD8351	Resistor programmed	10 to 2200	0 to 26	31	-79/-81	15.5	3, 5	28	MSOP	EAR99	AD8351ACPZ-R7
AD8352	Resistor programmed	10 to 2200	3 to 25	41	-83/-82	15.5	3, 5	37	3 × 3 LFCSP	EAR99	AD8352ACPZ-R7
ADL5561	Pin strap	10 to 2900	6, 12, 15.5	49	-95/-87	8	3.3	40	3 × 3 LFCSP	EAR99	ADL5561ACPZ-R7 LTC6406CUD#TRPBF LTC6406IUD#TRPBF LTC6406CMS8E#TRPBF LTC6406IMS8E#TRPBF
LTC6406	Resistor programmed	0 to 3000	0 to 40	24.4	-77/-65	7.5	3	18	3 × 3 QFN MSOP	EAR99	
ADA4961	DVGA, parallel and serial control, 1 dB step	10 to 3200	-3 to +18	50	-84/-100	5.6	3, 5	150	4 × 4 LFCSP	EAR99	ADA4961ACPZN-R7
ADL5562	Pin strap	0 to 3300	6, 12, 15.5	47	-104/-87	7.3	3.3	80	3 × 3 LFCSP	EAR99	ADL5562ACPZ-R7
ADL5567	Dual	0 to 4300	20	49.8	-94/-103	7.1	3.3, 5	148	4 × 4 LFCSP	EAR99	ADL5567ACPZN-R7
ADL5566	Dual	0 to 4500	16	51	-94.7/-100	6.58	3, 5	140, 160	4 × 4 LFCSP	EAR99	ADL5566ACPZ-R7
ADL5569 New	Differential amplifier/ ADC driver	0 to 6500	20	41	-78/-71	9.3	5	86	2.5 × 3 LFCSP	EAR99	ADL5569BCPZ
ADL5565	Pin strap	0 to 7000	6, 12, 15.5	53	-108/-103	8.7	3, 5	70, 80	3 × 3 LFCSP	EAR99	ADL5565ACPZ-R7
LTC6409	Resistor programmed	0 to 10000	0 to 52	39	-88/-93	6.9	3, 5	52	3 × 2 QFN	EAR99	LTC6409CUD#TRPBF LTC6409IUD#TRPBF LTC6409HUB#TRPBF
LTC6419	Dual, resistor programmed	0 to 10000	0 to 52	33.5	-85/-83	6.9	3, 5	104	4 × 3 LQFN	EAR99	LTC6419IV#PBF LTC6419HV#PBF

Low Noise Amplifiers

Part Number	Description	Frequency (GHz)	Gain (dB)	Output P1dB (dBm)	Output IP3 (dBm)	Noise Figure (dB)	Device Match	V _S (V)	I _{SY} (mA)	Package (mm)	ECCN Code	Ordering Part Number
HMC356	LNA	0.35 to 0.55	17	21	38	1	External	5	104	3 × 3 LFCSP	EAR99	HMC356LP3E
HMC549	LNA	0.04 to 0.96	5	12	27	3.5	Internal	5	120	MSOP	EAR99	HMC549MS8GE
HMC599*	LNA	0.05 to 1	14	19	39	2.2	Internal	5	120	SOT-89	EAR99	HMC599ST89E
HMC373	LNA	0.7 to 1	14	20	35	1	Internal	5	90	3 × 3 LFCSP	EAR99	HMC373LP3E
HMC376	LNA	0.7 to 1	15	21	36	0.7	Internal	5	73	3 × 3 LFCSP	EAR99	HMC376LP3E
HMC372	LNA	0.7 to 1	15	21	34	1	External	5	100	3 × 3 LFCSP	EAR99	HMC372LP3E
HMC618A	LNA	1.2 to 2.2	19	20	36	0.75	External	5	117	3 × 3 LFCSP	EAR99	HMC618ALP3E
HMC375	LNA	1.7 to 2.2	17	18	34	0.9	External	5	136	3 × 3 LFCSP	EAR99	HMC375LP3E
HMC382	LNA	1.7 to 2.2	17	16	30	1	Internal	5	67	3 × 3 LFCSP	EAR99	HMC382LP3E
HMC374	LNA	0.3 to 3	15	22	37	1.5	Internal	5	90	SOT-26	EAR99	HMC374E
HMC374*	LNA	0.3 to 3	15	17	35	1.6	Internal	3.3	75	SC70	EAR99	HMC374SC70E
HMC639*	LNA	0.2 to 4	13	22	38	2.3	Internal	5	110	SOT-89	EAR99	HMC639ST89E
ADL5521	LNA	0.4 to 4	20.8	22	37	0.9	External	5	60	3 × 3 LFCSP	5A991.b	ADL5521ACPZ-R7
ADL5523	LNA	0.4 to 4	21.5	21	34	0.8	External	5	60	3 × 3 LFCSP	5A991.b	ADL5523ACPZ-R7
HMC717A	LNA	4.8 to 6	14.5	18	29.5	1.3	External	5	68	3 × 3 LFCSP	EAR99	HMC717ALP3E
HMC392A New	LNA	3.5 to 7	17.2	19.5	32.5	1.7	Internal	5	59	Die	EAR99	HMC392A
HMC392A New	LNA	3.5 to 8	17	19	34.5	1.8	Internal	5	61	4 × 4 LFCSP	EAR99	HMC392ALC4
ADL5721	LNA	5.9 to 8.5	25.9	16.6	29.9	1.6	Internal	3.3	86.5	2 × 2 LFCSP	EAR99	ADL5721ACPZN-R7
HMC8410	LNA	0.01 to 10	19.5	21.5	33	1.1	Internal	5	65	2 × 2 LFCSP	EAR99	HMC8410LP2FE
HMC8410 New	LNA	0.01 to 10	19	21	33	1.3	Internal	5	65	Die	EAR99	HMC8410
HMC902*	LNA	5 to 10	19	16	28	1.8	Internal	3.5	80	3 × 3 LFCSP	EAR99	HMC902LP3E
HMC902	LNA	5 to 10	20	16	28	1.6	Internal	3.5	80	Die	EAR99	HMC902
HMC753	LNA	1 to 11	17	18	30	1.5	Internal	5	55	4 × 4 LFCSP	EAR99	HMC753LP4E
ADL5723	LNA	10.1 to 11.7	24.5	14.5	26.7	2.2	Internal	3.3	109.1	2 × 2 LFCSP	EAR99	ADL5723ACPZN-R7
HMC-ALH444	LNA	1 to 12	17	19	28	1.5	Internal	5	55	Die	EAR99	HMC-ALH444
HMC772	LNA	2 to 12	15	13	25	1.8	Internal	4	45	4 × 4 LFCSP	EAR99	HMC772LC4
HMC564	LNA	7 to 14	17	12	24	1.8	Internal	3	51	Die	EAR99	HMC564
HMC564*	LNA	7 to 14	17	13	25	1.8	Internal	3	51	4 × 4 LFCSP	EAR99	HMC564LC4
ADL5724	LNA	12.7 to 15.4	26.4	15.4	28.4	2.1	Internal	3.3	109.7	2 × 2 LFCSP	EAR99	ADL5724ACPZN-R7
HMC490	LNA	12 to 16	27	25	35	2.5	Internal	5	200	5 × 5 LFCSP	EAR99	HMC490LP5E
HMC490	LNA	12 to 17	27	26	35	2	Internal	5	200	Die	EAR99	HMC490
HMC903*	LNA	6 to 17	18	14	25	1.7	Internal	3.5	80	3 × 3 LFCSP	EAR99	HMC903LP3E
HMC903	LNA	6 to 18	19	15	27	1.6	Internal	3.5	90	Die	EAR99	HMC903
HMC516*	LNA	9 to 18	20	13	25	2	Internal	3	65	5 × 5 LFCSP	EAR99	HMC516LC5
HMC516	LNA	9 to 18	21	13	20	2	Internal	3	65	Die	EAR99	HMC516
ADL5725	LNA	17.7 to 19.7	27.8	13.8	26.3	2.4	Internal	3.3	108	2 × 2 LFCSP	EAR99	ADL5725ACPZN-R7
HMC-ALH435	LNA	5 to 20	13	16	25	2.2	Internal	5	30	Die	EAR99	HMC-ALH435
HMC565	LNA	6 to 20	21	10	20	2.5	Internal	3	53	5 × 5 LFCSP	EAR99	HMC565LC5

Low Noise Amplifiers (Continued)

Part Number	Description	Frequency (GHz)	Gain (dB)	Output P1dB (dBm)	Output IP3 (dBm)	Noise Figure (dB)	Device Match	V _S (V)	I _{SY} (mA)	Package (mm)	ECCN Code	Ordering Part Number
HMC565	LNA	6 to 20	22	10	20	2.3	Internal	3	53	Die	EAR99	HMC565
ADL5726	LNA	21.2 to 23.6	24.7	15.2	25.7	3.3	Internal	3.3	92.4	2 × 2 LFCSP	EAR99	ADL5726ACPZN-R7
HMC342	LNA	13 to 25	20	5	13	3.5	Internal	3	43	Die	EAR99	HMC342
HMC342*	LNA	13 to 25	22	9	20	3.5	Internal	3	43	3 × 3 LFCSP	EAR99	HMC342LC4
HMC517*	LNA	17 to 26	19	13	23	2.5	Internal	3	67	4 × 4 LFCSP	EAR99	HMC517LC4
HMC517	LNA	17 to 26	20	11	23	2	Internal	3	65	Die	EAR99	HMC517
HMC963*	LNA	6 to 26.5	22	10	18	2.5	Internal	3.5	45	4 × 4 LFCSP	EAR99	HMC963LC4
HMC962*	LNA	7.5 to 26.5	13	13	23	2.5	Internal	3.5	70	4 × 4 LFCSP	EAR99	HMC962LC4
HMC-ALH311	LNA	22 to 26.5	25	12	—	3	Internal	2.5	54	Die	5A991.h	HMC-ALH311
HMC-ALH216	LNA	14 to 27	18	14	—	2.5	Internal	4	90	Die	5A991.h	HMC-ALH216
HMC504	LNA	14 to 27	19.5	17	26	2.2	Internal	4	90	4 × 4 LFCSP	5A991.h	HMC504LC4B
HMC-ALH476	LNA	14 to 27	20	14	—	2	Internal	4	90	Die	5A991.h	HMC-ALH476
HMC751	LNA	17 to 27	25	13	25	2.2	Internal	4	73	4 × 4 LCC	EAR99	HMC751LC4
HMC8401	LNA	0.01 to 28	14.5	16.5	26	1.5	Internal	7.5	60	Die	EAR99	HMC8401
HMC7950 <i>New</i>	LNA	2 to 28	15	16	26	2	Internal	5	64	6 × 6 QFN	EAR99	HMC7950LS6
HMC752	LNA	24 to 28	25	13	26	2.5	Internal	3	70	4 × 4 LFCSP	EAR99	HMC752LC4
HMC341	LNA	21 to 29	13	6	16	2.5	Internal	3	30	Die	EAR99	HMC341
HMC341	LNA	21 to 29	13	8	19	2.5	Internal	3	35	3 × 3 LFCSP	EAR99	HMC341LC3B
HMC8400	LNA	0.2 to 30	13.5	14.5	26.5	2	Internal	5	67	Die	3A001.b.2.d	HMC8400
HMC8402	LNA	2 to 30	13.5	21.5	26	2	Internal	7	68	Die	3A001.b.2.d	HMC8402
HMC519*	LNA	18 to 31	14.4	11	23	3	Internal	3	75	4 × 4 LFCSP	EAR99	HMC519LC4
HMC519	LNA	18 to 31	15	14	23	3	Internal	3	75	Die	EAR99	HMC519
HMC518	LNA	20 to 32	15	12	23	3	Internal	3	65	Die	3A001.b.2.d	HMC518
HMC-ALH364	LNA	24 to 32	21	7	—	2	Internal	5	68	Die	3A001.b.2.d	HMC-ALH364
HMC-ALH313	LNA	27 to 33	20	12	—	3	Internal	2.5	52	Die	3A001.b.2.d	HMC-ALH313
HMC263	LNA	24 to 36	20	8	18	2.2	Internal	3	58	3 × 3 LFCSP	3A001.b.2.d	HMC263LP4E
HMC263	LNA	24 to 36	22	8	17	2	Internal	3	58	Die	3A001.b.2.d	HMC263
HMC566	LNA	29 to 36	20	12	24	2.8	Internal	3	80	Die	3A001.b.2.d	HMC566
HMC566	LNA	29 to 36	21	12	24	2.8	Internal	3	82	4 × 4 LFCSP	3A001.b.2.d	HMC566LP4E
HMC-ALH445	LNA	18 to 40	10	12	—	3.9	Internal	5	45	Die	3A001.b.2.d	HMC-ALH445
HMC-ALH140	LNA	24 to 40	11.5	15	—	4	Internal	4	60	Die	3A001.b.2.d	HMC-ALH140
HMC-ALH244	LNA	24 to 40	12	13	—	3.5	Internal	4	45	Die	3A001.b.2.d	HMC-ALH244
HMC-ALH369	LNA	24 to 40	22	11	—	2	Internal	5	66	Die	3A001.b.2.d	HMC-ALH369
HMC-ALH310	LNA	37 to 42	22	12	—	3.5	Internal	2.5	52	Die	3A001.b.2.d	HMC-ALH310
HMC1040	LNA	20 to 43.5	22	12	22	2.7	Internal	2.5	70	3 × 3 LFCSP	3A001.b.2.d	HMC1040LP3CE
HMC1040 <i>New</i>	LNA	10 to 44	21	14	25.5	2.5	Internal	2.5	70	Die	3A001.b.2.d	HMC1040
HMC-ALH376	LNA	35 to 45	16	6	—	2	Internal	4	87	Die	3A001.b.2.d	HMC-ALH376
HMC-ALH382	LNA	57 to 65	21	12	—	4	Internal	2.5	64	Die	EAR99	HMC-ALH382
HMC-ALH508	LNA	71 to 86	13	7	—	5	Internal	2.4	30	Die	EAR99	HMC-ALH508
HMC-ALH509	LNA	71 to 86	14	7	—	5	Internal	2	50	Die	EAR99	HMC-ALH509
HMC8325 <i>New</i>	LNA	71 to 86	21	13	22	3.6	Internal	3	50	Die	3A001.b.2.g	HMC8325
ADL7003 <i>New</i>	LNA	50 to 95	14	14	21	5	Internal	3	120	Die	3A001.b.2.7	ADL7003CHIPS

Gain Blocks and Driver Amplifiers

Part Number	Description	Frequency (GHz)	Gain (dB)	Output P1dB (dBm)	Output IP3 (dBm)	Noise Figure (dB)	Device Match	V _S (V)	I _{SY} (mA)	Package (mm)	ECCN Code	Ordering Part Number
ADL5534	Gain block	0.02 to 0.5	21	20	40	2.5	Internal	5	98	5 × 5 LFCSP	EAR99	ADL5534ACPZ-R7
ADL5531	Gain block	0.02 to 0.5	20.9	20	41	2.5	Internal	5	100	3 × 3 LFCSP	EAR99	ADL5531ACPZ-R7
ADL5536*	Gain block	0.02 to 1	20	20	45	2.6	Internal	5	105	SOT-89	EAR99	ADL5536ARKZ-R7
ADL5535*	Gain block	0.02 to 1	16	19	46	3.2	Internal	5	97	SOT-89	EAR99	ADL5535ARKZ-R7
HMC754	Gain block	0 to 1	14.5	21	38	5.5	Internal	5	160	SOIC	EAR99	HMC754S8GE
ADL5530	Gain block	0 to 1	16.8	22	37	3	Internal	3	110	2 × 3 LFCSP	EAR99	ADL5530ACPZ-WP
LTC6433-15	Gain block	0.0001 to 1.4	15.9	19.2	47	3.22	Internal	5	95	4 × 4 QFN	EAR99	LTC6433AIUF-15#TRPBF
LTC6433-15	Gain block	0.0001 to 1.4	15.9	19.2	45	3.22	Internal	5	95	4 × 4 QFN	EAR99	LTC6433BIUF-15#TRPBF
LTC6431-20	Gain block	0.02 to 1.4	20.8	22	46.2	2.6	Internal	5	93	4 × 4 QFN	EAR99	LTC6431AIUF-20#TRPBF
LTC6431-20	Gain block	0.02 to 1.4	20.8	22	45.7	2.6	Internal	5	93	4 × 4 QFN	EAR99	LTC6431BIUF-20#TRPBF
LTC6431-15	Gain block	0.02 to 1.7	15.5	20.6	47	3.33	Internal	5	85.1	4 × 4 QFN	EAR99	LTC6431AIUF-15#TRPBF
LTC6431-15	Gain block	0.02 to 1.7	15.5	20.6	45.5	3.33	Internal	5	85.1	4 × 4 QFN	EAR99	LTC6431BIUF-15#TRPBF
AD8354	Gain block	0.001 to 2.7	20	5	19	4.2	Internal	3	25	2 × 3 LFCSP	EAR99	AD8354ACPZ-REEL7
AD8353	Gain block	0.001 to 2.7	20	9	24	5.6	Internal	3	42	2 × 3 LFCSP	EAR99	AD8353ACPZ-REEL7
HMC741*	Gain block	0.05 to 3	20	19	42	2.5	Internal	5	96	SOT-89	EAR99	HMC741ST89E
HMC740*	Gain block	0.05 to 3	15	18	40	3.5	Internal	5	88	SOT-89	EAR99	HMC740ST89E
ADL5601*	Gain block	0.05 to 4	15	19	43	3.7	Internal	5	83	SOT-89	EAR99	ADL5601ARKZ-R7
ADL5602*	Gain block	0.05 to 4	19.3	19	42	3.3	Internal	5	89	SOT-89	EAR99	ADL5602ARKZ-R7

Gain Blocks and Driver Amplifiers (Continued)

Part Number	Description	Frequency (GHz)	Gain (dB)	Output P1dB (dBm)	Output IP3 (dBm)	Noise Figure (dB)	Device Match	V _s (V)	I _{sv} (mA)	Package (mm)	ECCN Code	Ordering Part Number
HMC395	Gain block	0 to 4	15	15	28	4.5	Internal	5	54	Die	EAR99	HMC395
HMC589A*	Gain block	0 to 4	21	21	33	4.5	Internal	5	82	SOT-89	EAR99	HMC589AST89E
HMC636*	Gain block	0.2 to 4	13	22	40	2.2	Internal	5	155	SOT-89	EAR99	HMC636ST89
HMC480*	Gain block	0 to 5	19	20	34	2.9	Internal	8	82	SOT-89	EAR99	HMC480ST89
HMC313	Gain block	0 to 6	17	14	27	6.5	Internal	5	50	SOT-26	EAR99	HMC313
ADL5545*	Gain block	0.03 to 6	24.1	18	36	2.9	Internal	5	56	SOT-89	EAR99	ADL5545ARKZ-R7
ADL5544*	Gain block	0.03 to 6	17.4	18	35	2.9	Internal	5	55	SOT-89	EAR99	ADL5544ARKZ-R7
ADL5610*	Gain block	0.03 to 6	18.4	21	38	2.1	Internal	5	91	SOT-89	EAR99	ADL5610ARKZ-R7
ADL5611*	Gain block	0.03 to 6	22.1	21	39	2.1	Internal	5	91	SOT-89	EAR99	ADL5611ARKZ-R7
ADL5542	Gain block	0.05 to 6	18.7	18	39	3.2	Internal	5	93	3 × 3 LFCSP	EAR99	ADL5542ACPZ-R7
ADL5541	Gain block	0.05 to 6	14.7	16	39	3.8	Internal	5	90	3 × 3 LFCSP	EAR99	ADL5541ACPZ-R7
HMC311*	Gain block	0 to 6	15	16	32	5	External	5	55	SOT-89	EAR99	HMC311ST89E
HMC311*	Gain block	0 to 6	14.5	16	32	4.5	External	5	55	3 × 3 LFCSP	EAR99	HMC311LP3E
HMC311*	Gain block	0 to 8	15	15	30	5	External	5	55	SC70	EAR99	HMC311SC70E
HMC396	Gain block	0 to 8	12	14	30	6	Internal	5	56	Die	EAR99	HMC396
HMC405	Gain block	0 to 10	16	13	25	4	Internal	5	50	Die	EAR99	HMC405
HMC397	Gain block	0 to 10	15	13	24	4.5	Internal	5	56	Die	EAR99	HMC397
HMC788A	Gain block	0 to 10	14	20	33	7	Internal	5	76	2 × 2 LFCSP	EAR99	HMC788ALP2E
HMC3587	Gain block	~0 to 10	14.5	11	25	3.5	Internal	5	44	3 × 3 LFCSP	EAR99	HMC3587LP3BE
HMC3653*	Gain block	0.007 to 15	15	15	28	4	Internal	5	44	3 × 3 LFCSP	EAR99	HMC3653LP3BE
ADL5605	1 W driver amp	0.7 to 1	23	31	44	4.8	External	5	307	4 × 4 LFCSP	EAR99	ADL5605ACPZ-R7
ADL5320*	¼ W driver amp	0.4 to 2.7	13.2	26	42	4.4	External	3.3	47	SOT-89	EAR99	ADL5320ARKZ-R7
ADL5604	1 W driver amp	0.7 to 2.7	12.2	29	42	4.6	External	5	318	4 × 4 LFCSP	EAR99	ADL5604ACPZ-R7
ADL5606	1 W driver amp	1.8 to 2.7	24.3	31	46	4.7	External	5	362	4 × 4 LFCSP	EAR99	ADL5606ACPZ-R7
HMC789*	¼ W driver amp	0.7 to 2.8	18	25	42	3.8	External	5	125	SOT-89	EAR99	HMC789ST89E
ADL5324*	½ W driver amp	0.4 to 4	14	29	44	3.5	External	3.3	60	SOT-89	EAR99	ADL5324ARKZ-R7
ADL5321*	¼ W driver amp	2.3 to 4	14	26	41	4	External	3.3	37	SOT-89	EAR99	ADL5321ARKZ-R7
HMC326	¼ W driver amp	3 to 4.5	21	24	36	5	Internal	5	130	MSOP	EAR99	HMC326MS8G

Wideband Distributed Amplifiers

Part Number	Description	Frequency (GHz)	Gain (dB)	Output P1dB (dBm)	Output IP3 (dBm)	Noise Figure (dB)	Device Match	V _s (V)	I _{sv} (mA)	Package (mm)	ECCN Code	Ordering Part Number
HMC637A*	Distributed	0 to 6	13	29	44	5	Internal	12	400	5 × 5 LFCSP	EAR99	HMC637ALP5E
HMC637A	1 W, output distributed	0 to 6	14	30.5	41	4	Internal	12	400	Die	EAR99	HMC637A
HMC637B New	Distributed	0 to 7.5	15.5	28	39	3.5	Internal	12	345	5 × 5 LFCSP	EAR99	HMC637BPM5E
HMC659	Distributed	0 to 15	19	27	35	2	Internal	8	300	Die	EAR99	HMC659
HMC659*	Distributed	0 to 15	19	28	35	2.5	Internal	8	300	5 × 5 LFCSP	EAR99	HMC659LC5
HMC633	Distributed	5 to 17	29	23	30	8	Internal	5	180	Die	EAR99	HMC633
HMC633*	Distributed	5.5 to 17	30	23	30	8	Internal	5	180	4 × 4 LFCSP	EAR99	HMC633LC4
HMC459	Distributed	0 to 18	17	25	32	3	Internal	8	290	Die	EAR99	HMC459
HMC606	Low phase noise	2 to 18	12.5	13	22	7	Internal	—	64	Die	EAR99	HMC606
HMC606*	Low phase noise	2 to 18	13.5	15	—	—	—	—	—	5 × 5 LFCSP	EAR99	HMC606LC5
HMC1049	LNA, distributed	0.3 to 19	16	15	27	1.7	Internal	7	70	Die	EAR99	HMC1049
HMC1049*	LNA, distributed	0.3 to 20	15	15	29	1.8	Internal	7	70	5 × 5 LFCSP	EAR99	HMC1049LP5E
HMC559	Distributed	0 to 20	14	28	36	4	Internal	10	400	Die	EAR99	HMC559
HMC460	Distributed	0 to 20	14	16	29	2.5	Internal	8	75	Die	EAR99	HMC460
HMC460*	Distributed	0 to 20	14	17	30	2.5	Internal	8	75	5 × 5 LFCSP	EAR99	HMC460LC5
HMC465	Distributed	0 to 20	17	22	30	2.5	Internal	8	160	Die	EAR99	HMC465
HMC465*	Distributed	0 to 20	15	23	28	3	Internal	8	160	5 × 5 LFCSP	EAR99	HMC465LP5
HMC-ALH482	LNA, distributed	2 to 20	16	14	—	1.7	Internal	4	45	Die	EAR99	HMC-ALH482
HMC-ALH102	Distributed	2 to 20	10	10	—	2.5	Internal	2	55	Die	EAR99	HMC-ALH102
HMC464	Distributed	2 to 20	16	26	30	4	Internal	8	290	Die	EAR99	HMC464
HMC464*	Distributed	2 to 20	14	26	30	4	Internal	8	290	5 × 5 LFCSP	EAR99	HMC464LP5E
HMC463	Distributed	2 to 20	14	16	28	2.5	Internal	5	60	Die	EAR99	HMC463

Wideband Distributed Amplifiers (Continued)

Part Number	Description	Frequency (GHz)	Gain (dB)	Output P1dB (dBm)	Output IP3 (dBm)	Noise Figure (dB)	Device Match	V _s (V)	I _{sv} (mA)	Package (mm)	ECCN Code	Ordering Part Number
HMC463*	Distributed	2 to 20	13	18	26	3	Internal	5	60	5 × 5 LFCSP	EAR99	HMC463LP5
HMC463	Distributed	2 to 20	14	18	28	2.5	Internal	5	60	LFCSF	EAR99	HMC463LH250
HMC462	Distributed	2 to 20	15	15	27	2.5	Internal	5	63	Die	EAR99	HMC462
HMC462*	Distributed	2 to 20	13	14	25	2.5	Internal	5	66	5 × 5 LFCSP	EAR99	HMC462LP5
HMC634	Distributed	5 to 20	22	23	31	7.5	Internal	5	180	Die	EAR99	HMC634
HMC634*	Distributed	5 to 20	21	22	29	7.5	Internal	5	180	4 × 4 LFCSP	EAR99	HMC634LC4
HMC998A New	2 W, distributed	0 to 22	14.5	32.5	43	2.5	Internal	15	500	Die	EAR99	HMC998A
HMC998A New	2 W, distributed	0 to 22	15	32	42	3	Internal	15	500	5 × 5 LFCSP	EAR99	HMC998APM5E
HMC797A New	1 W, distributed	0 to 22	15	29	41	3	Internal	10	400	Die	EAR99	HMC797A
HMC797A* New	1 W, distributed	0 to 22	15	29	41	3.5	Internal	10	400	5 × 5 LFCSP	EAR99	HMC797APM5E
HMC907A New	0.6 W, distributed	0.2 to 22	14	28	41	3	Internal	10	350	Die	EAR99	HMC907A
HMC907A New	0.6 W, distributed	0.2 to 22	14	28	40	3	Internal	10	350	5 × 5 LFCSP	EAR99	HMC907APM5E
HMC994A New	0.8 W, distributed	0 to 28	15	28	38	3.5	Internal	10	250	5 × 5 LFCSP	EAR99	HMC994APM5E
HMC994A New	0.5 W, distributed	0 to 30	14.5	28	39	3.5	Internal	10	250	Die	EAR99	HMC994A
HMC562	Distributed	2 to 35	12.5	18	27	3	Internal	8	80	Die	3A001.b.2.d	HMC562
HMC-AUH249	Distributed	0 to 35	15	21	—	—	Internal	5	200	Die	3A001.b.2.d	HMC-AUH249
HMC930A	0.25 W, distributed	0 to 40	13	22	33.5	5	Internal	10	175	Die	3A001.b.2.d	HMC930A
HMC5805A*	0.25 W, distributed	0 to 40	11.5	24.5	29	4	Internal	10	175	6 × 6 LFCSP	3A001.b.2.d	HMC5805ALS6
HMC635	Distributed	18 to 40	19.5	23	29	8	Internal	5	280	Die	3A001.b.2.d	HMC635
HMC635	Distributed	18 to 40	18.5	22	27	8	Internal	5	280	4 × 4 LFCSP	3A001.b.2.d	HMC635LC4
HMC-AUH232	Distributed	0 to 45	14	17	—	4.2	Internal	5	180	Die	3A001.b.2.d	HMC-AUH232
HMC1022A Upcoming	Power amp	0 to 48	11.5	19	29	4	Internal	8	150	Die	3A001.b.2.d, DL3A0011b2d	HMC1022A
HMC1127	Distributed	2 to 50	14	12	22	—	—	5	65	Die	3A001.b.2.d	HMC1127
HMC1126	Distributed	2 to 50	11	15	28	—	—	5	66	Die	3A001.b.2.d	HMC1126
HMC-AUH312	Distributed	0.5 to 65	10	—	—	—	Internal	8	60	Die	3A001.b.2.f	HMC-AUH312

Linear and Power Amplifiers

Part Number	Description	Frequency (GHz)	Gain (dB)	Output P1dB (dBm)	Output IP3 (dBm)	Noise Figure (dB)	Device Match	V _s (V)	I _{sv} (mA)	Package (mm)	ECCN Code	Ordering Part Number
HMC450	Driver amp	0.8 to 1	26	26	40	8	External	5	310	QSOP	EAR99	HMC450QS16GE
HMC453	Power amp	0.4 to 2.2	22	33	50	6.5	External	5	725	QSOP	EAR99	HMC453QS16GE
HMC452*	Power amp	0.4 to 2.2	21	30	49	7.5	External	5	510	SOT-89	EAR99	HMC452ST89
HMC452	Power amp	0.4 to 2.2	23	30	48	7	External	5	485	QSOP	EAR99	HMC452QS16GE
HMC453*	Power amp	0.45 to 2.2	21	32	49	6.5	External	5	725	SOT-89	EAR99	HMC453ST89
HMC457	Power amp	1.7 to 2.2	27	31	46	5	External	5	500	QSOP	EAR99	HMC457QS16G
HMC454*	Power amp	0.4 to 2.5	13	27	42	6	External	5	150	SOT-89	EAR99	HMC454ST89
HMC455	Power amp	1.7 to 2.5	13	27	42	—	External	5	150	3 × 3 LFCSP	EAR99	HMC455LP3E
HMC414	Power amp	2.2 to 2.8	20	27	39	—	External	5	300	MSOP	EAR99	HMC414MS8GE
HMC409	Power amp	3.3 to 3.8	31	31	46	5.8	External	5	615	3 × 3 LFCSP	EAR99	HMC409LP4E
HMC327*	Power amp	3 to 4	21	27	40	5	Internal	5	250	MSOP	EAR99	HMC327MS8GE
HMC415	Driver amp	4.9 to 5.9	20	22	32	6	External	3	285	3 × 3 LFCSP	EAR99	HMC415LP3E
HMC408	Power amp	5.1 to 5.9	20	30	43	6	External	5	750	3 × 3 QFN	EAR99	HMC408LP3E
HMC406*	Power amp	5 to 6	17	27	38	6	Internal	5	300	MSOP	3A001.a.11.b, DL3A001a11b, EAR99	HMC406MS8GE
HMC407	Driver amp	5 to 7	15	25	40	5.5	Internal	5	230	MSOP	EAR99	HMC407MS8GE
HMC1121	Power amp	5.5 to 7.5	27	36	44	—	Internal	7.5	2200	6 × 6 LFCSP	3A001.b.2.d	HMC1121LP6GE
HMC7357	Power amp	5.5 to 8.5	29	35	42	—	Internal	8	1200	4 × 4 QFN	EAR99	HMC7357LP5GE
HMC591	Power amp	6 to 9.5	18	33	41	—	Internal	7	1340	5 × 5 QFN	EAR99	HMC591LP5E
HMC591	Power amp	6 to 10	23	33	43	—	Internal	7	1340	Die	EAR99	HMC591
HMC590	Power amp	6 to 10	25	32	41	—	Internal	7	820	Die	EAR99	HMC590
HMC590	Power amp	6 to 10	21	31	40	—	Internal	7	820	5 × 5 QFN	EAR99	HMC590LP5E
HMC608	Driver amp	9.5 to 11.5	29	27	33	6	Internal	5	310	4 × 4 QFN	EAR99	HMC608LC4
HMC487	Power amp	9 to 12	20	32	36	8	Internal	7	1300	5 × 5 QFN	EAR99	HMC487LP5E
HMC441	Driver amp	6.5 to 13.5	14	18	29	4.5	Internal	5	95	3 × 3 QFN	EAR99	HMC441LP3
HMC952A	Power amp	9 to 14	33	36	43	—	Internal	6	1400	5 × 5 LFCSP	EAR99	HMC952ALP5GE
HMC441	Driver amp	7 to 15.5	16	19	30	4.5	Internal	5	90	1 × 1 QFN	EAR99	HMC441LM1
HMC441	Driver amp	7 to 15.5	15	20	32	4.8	Internal	5	90	5 × 5 LFCSP	EAR99	HMC441LH5
HMC1082*	Driver amp	5.5 to 18	22	24	35	—	Internal	5	220	4 × 4 QFN	EAR99	HMC1082LP4E
HMC441	Driver amp	6 to 18	16	20	32	4.5	Internal	5	95	Die	EAR99	HMC441
HMC441*	Driver amp	6 to 18	17	20	32	4.5	Internal	5	95	3 × 3 QFN	EAR99	HMC441LC3B

Linear and Power Amplifiers (Continued)

Part Number	Description	Frequency (GHz)	Gain (dB)	Output P1dB (dBm)	Output IP3 (dBm)	Noise Figure (dB)	Device Match	V _s (V)	I _{sv} (mA)	Package (mm)	ECCN Code	Ordering Part Number
HMC451	Driver amp	5 to 20	22	20	30	—	Internal	5	127	Die	EAR99	HMC451
HMC451*	Driver amp	5 to 20	19	19	30	7	Internal	5	114	3 × 3 QFN	EAR99	HMC451LC3
HMC6981	Power amp	15 to 20	26	34	44	—	External	6	1100	6 × 6 QFN	EAR99	HMC6981LS6
HMC498	Driver amp	17 to 24	24	25	34	—	Internal	5	250	Die	EAR99	HMC498
HMC498*	Driver amp	17 to 24	22	25	36	4	Internal	5	250	4 × 4 QFN	EAR99	HMC498LC4
HMC442	Driver amp	17.5 to 24	14	22	28	6.5	Internal	5	85	1.35 LCC	EAR99	HMC442LM1
HMC-APH518	Power amp	21 to 24	17	31	39	—	Internal	5	950	Die	3A001.b.2.c	HMC-APH518
HMC442	Driver amp	17.5 to 25.5	15	22	28	5.5	Internal	5	84	Die	EAR99	HMC442
HMC442	Driver amp	17.5 to 25.5	13	22	27	8	Internal	5	84	3 × 3 QFN	EAR99	HMC442LC3B
HMC-APH608	Power amp	22.5 to 26.5	17	30	38	—	Internal	5	950	Die	EAR99	HMC-APH608
HMC-APH462	Power amp	15 to 27	17	29	37	—	Internal	5	1440	Die	EAR99	HMC-APH462
HMC863ALC4 <i>New</i>	Power amp	24 to 29.5	24	27	38.5	4.5	Internal	5.5	350	4 × 4 QFN	EAR99	HMC863ALC4
HMC383	Driver amp	12 to 30	16	16	25	7	Internal	5	100	Die	EAR99	HMC383
HMC383*	Driver amp	12 to 30	15	17	25	7.5	Internal	5	100	4 × 4 QFN	EAR99	HMC383LC4
HMC-APH196	Driver amp	17 to 30	20	24	31	—	Internal	5	400	Die	EAR99	HMC-APH196
HMC943A <i>New</i>	Power amp	24 to 31.5	21	32	41	—	Internal	5.5	1200	5 × 5 LFCSP	3A001.b.2.d	HMC943ALP5DE
HMC-APH460	Power amp	27 to 31.5	14	28	37	—	Internal	5	900	Die	EAR99	HMC-APH460
HMC7441	Power amp	27.5 to 31.5	23	34	38	—	Internal	6	1000	Die	3A001.b.2.d	HMC7441
HMC499	Driver amp	21 to 32	16	24	33	—	Internal	5	200	Die	3A001.b.2.d	HMC499
HMC499*	Driver amp	21 to 32	17	23	34	5	Internal	5	200	4 × 4 QFN	3A001.b.2.d	HMC499LC4
HMC1132 <i>New</i>	Power amp	27 to 32	22	30	35	—	Internal	6	600	5 × 5 LFCSP	3A001.b.2.d	HMC1132LP5DE
HMC-APH596*	Driver amp	16 to 33	17	24	33	—	Internal	5	400	Die	5A991.h	HMC-APH596
HMC906A <i>New</i>	Power amp	27.3 to 33.5	26.5	33	43	—	Internal	5	1200	Die	3A001.b.2.d	HMC906A
HMC-APH478	Power amp	18 to 20	18	30	39	—	Internal	5	900	Die	3A001.b.2.d	HMC-APH478
HMC1131	Driver amp	24 to 35	22	24	35	—	Internal	5	225	4 × 4 LFCSP	3A001.b.2.d	HMC1131LC4
HMC7229	Power amp	33 to 40	24.5	31.5	39.5	—	Internal	6	1200	Die	3A001.b.2.d	HMC7229
HMC7229	Power amp	37 to 40	24	32	40	—	Internal	6	1200	6 × 6 LFCSP	3A001.b.2.d	HMC7229LS6
HMC-APH510	Driver amp	37 to 40	20	26	35	—	Internal	5	640	Die	3A001.b.2.d	HMC-APH510
HMC-APH473	Power amp	37 to 40	15	28	37	—	Internal	5	1080	Die	3A001.b.2.d	HMC-APH473
HMC-AUH256	Driver amp	17.5 to 41	21	20	27	—	Internal	5	295	Die	3A001.b.2.d	HMC-AUH256
HMC-ABH264	Driver amp	34 to 42	19	18	29	6.5	Internal	5	120	Die	3A001.b.2.d	HMC-ABH264
HMC-APH403*	Driver amp	37 to 45	21	23	32	—	Internal	5	475	Die	3A001.b.2.f	HMC-APH403
HMC-ABH209	Driver amp	55 to 65	13	16	25	—	Internal	5	80	Die	3A001.b.2.f	HMC-ABH209
HMC-ABH241	Driver amp	50 to 66	24	17	25	—	Internal	5	220	Die	3A001.b.2.f	HMC-ABH241
HMC1144	Driver amp	40 to 70	19	21	28	—	Internal	4	320	Die	3A001.b.2.f	HMC1144
ADMV7710 <i>New</i>	Power amp	71 to 76	24	28	34	—	Internal	4	800	Die	5A991.b, EAR99	ADMV7710CHIPS
HMC-AUH318	Driver amp	71 to 76	24	18	—	—	Internal	4	130	Die	3A001.b.2.g	HMC-AUH318
HMC-APH633	Driver amp	71 to 76	13	20	—	—	Internal	4	240	Die	3A001.b.2.g	HMC-APH633
HMC-AUH320	Driver amp	71 to 86	15	15	—	—	Internal	4	130	Die	3A001.b.2.f	HMC-AUH320
ADMV7810 <i>New</i>	Power Amp	81 to 86	20	28	33	—	Internal	4	800	Die	5A991.b, EAR99	ADMV7810CHIPS
HMC-AUH317	Driver amp	81 to 86	22	18	—	—	Internal	4	160	Die	3A001.b.2.g	HMC-AUH317
HMC-APH634	Driver amp	81 to 86	12	19	—	—	Internal	4	240	Die	3A001.b.2.g	HMC-APH634

GaN Power Amplifiers

Part Number	Description	Frequency (GHz)	Gain (dB)	Output P1dB (dBm)	Output IP3 (dBm)	Noise Figure (dB)	Device Match	P _{SAT} (dBm)	V _s (V)	I _{sv} (mA)	Package (mm)	ECCN Code	Ordering Part Number
HMC1099	10 W, GaN PA	0.01 to 1.1	19	40	49	18.5	Internal	40.5	28	100	5 × 5 QFN	EAR99	HMC1099LP5DE
HMC8500 <i>New</i>	>10 W, GaN PA	0.01 to 2.8	16	40	48	5	Internal	41	28	100	5 × 5 LFCSP	EAR99	HMC8500LP5DE
HMC1114 <i>New</i>	10 W, GaN PA	2.7 to 3.8	25.5	41	44	14	Internal	41.5	28	150	5 × 5 LFCSP	3A001.b.2.a.4	HMC1114LP5DE
HMC8205 <i>New</i>	35 W, GaN PA	0.3 to 6	20	45	47	—	Internal	46	50	1300	LDCC (flange)	3A001.b.2.a.4	HMC8205BF10
HMC1086	25 W, GaN PA	2 to 6	22	41	48	14	Internal	44.5	28	1100	Die	3A001.b.2.a.4	HMC1086F10
HMC1086	25 W, GaN PA	2 to 6	22	41	46	14	Internal	44.5	28	1100	Flange	3A001.b.2.a.4	HMC8205
HMC8415 <i>Upcoming</i>	40 W, GaN PA	9 to 10.5	24	—	—	—	Internal	46	28	1000	6 × 6 LFCSP_VQ	3A001.b.2.b.2, DL3A001b2b2, EAR99	HMC8415LP6GE
HMC1087	8 W, GaN PA	2 to 20	11	38	44	5.5	Internal	39	28	850	Die	3A001.b.2.c	HMC1087
HMC1087	8 W, GaN PA	2 to 20	11	38	44	5.5	Internal	39	28	850	Flange	3A001.b.2.c	HMC1087F10
HMC8205 <i>Upcoming</i>	35 W, GaN PA	0.3 to 6	~20	~45	~47	—	Internal	~46	50	~1300	Die	EAR99	HMC8205

Active Bias Controllers

Part Number	Description	V _{SUPPLY} (V)	V _{SUPPLY} Drain (V)	I _{DRAIN} (mA)	I _{GATE} Drive (mA)	V _{GATE} (V)	Over/Under I _{DRAIN} Alarm	Low V _{SUPPLY} Alarm	Package (mm)	ECCN Code	Ordering Part Number
HMC920	Active bias controller	5 to 16.5	3 to 15	0 to 500	-4 to +4	-2.5 to +2	Yes	Yes	5 × 5 LFCSP	EAR99	HMC920LP5E
HMC980	Active bias controller	5 to 16.5	5 to 16.5	0.05 to 1600	-4 to +4	-2.46 to +2.04	Yes	No	Die	EAR99	HMC980
HMC980*	Active bias controller	5 to 16.5	5 to 16.5	0.05 to 1600	-4 to +4	-2.46 to +2.04	Yes	No	4 × 4 LFCSP	EAR99	HMC980LP4E
HMC981	Active bias controller	4 to 12	4 to 12	20 to 200	-0.8 to +0.8	-2.5 to +2	No	No	Die	EAR99	HMC981
HMC981*	Active bias controller	4 to 12	4 to 12	20 to 200	-0.8 to +0.8	-2.5 to +2	No	No	3 × 3 LFCSP	EAR99	HMC981LP3E

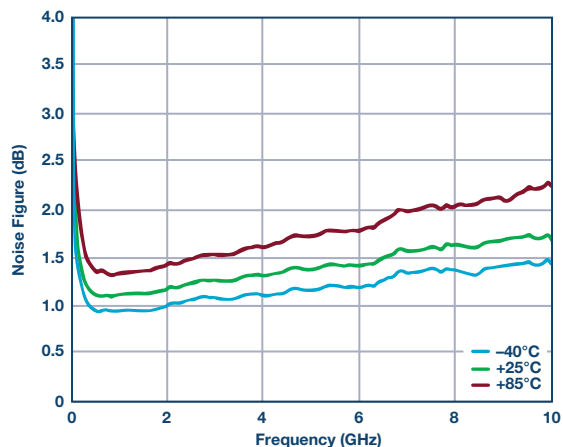
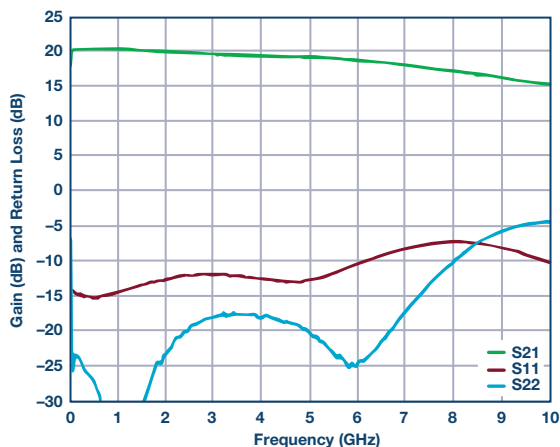
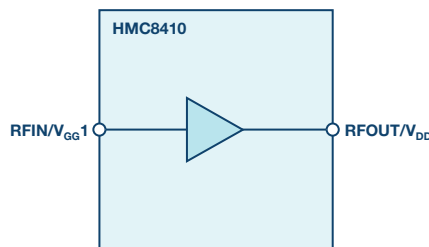
HMC8410: 10 MHz to 10 GHz Wideband LNA

Key Features

- ▶ Low noise figure: 1.1 dB
- ▶ High gain: 19.5 dB typical
- ▶ High output IP3: 33 dBm
- ▶ 5 V, 65 mA supply
- ▶ 2 mm × 2 mm LFCSP package
- ▶ Die version available

Applications

- ▶ Communications receivers
- ▶ Software-defined radios
- ▶ Electronic warfare
- ▶ Military and commercial radars



* = X-Microwave

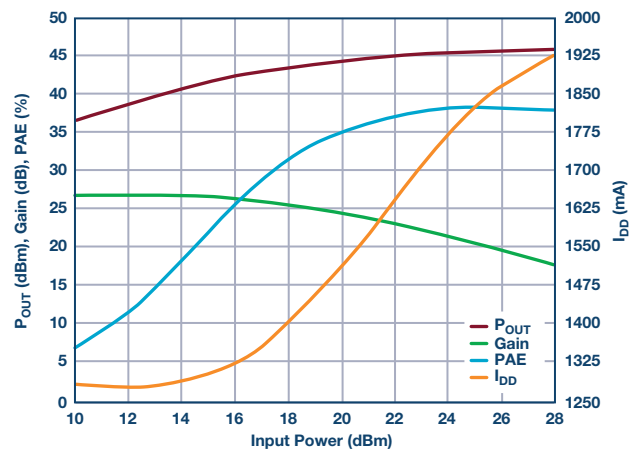
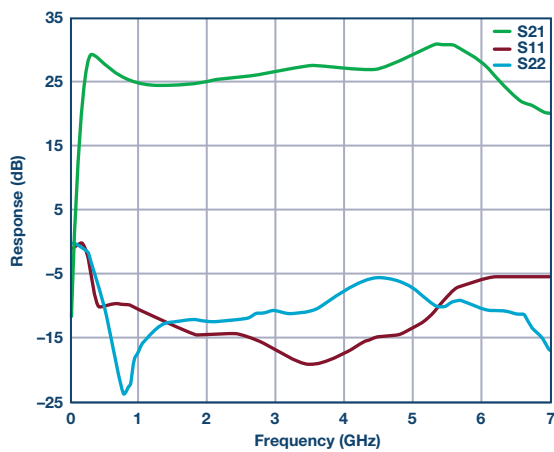
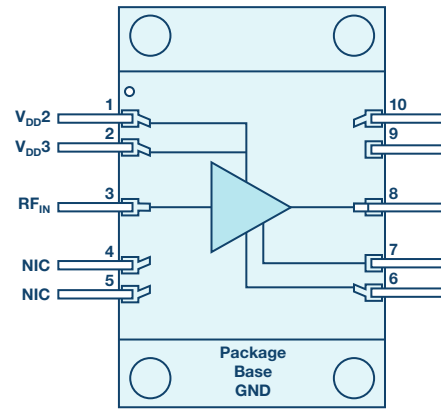
HMC8205BF10: 0.3 GHz to 6 GHz, 35 W GaN Power Amplifier

Key Features

- ▶ Wide instantaneous bandwidth: 300 MHz to 6 GHz (2 dB flatness)
- ▶ High saturated power (P_{SAT}) of >45.5 dBm (35 W) typical
- ▶ Supports pulsed and CW output power
- ▶ Typical PAE of 38%
- ▶ Output IP3 (OIP3) of 47 dBm
- ▶ Return loss:
 - 12 dB (0.3 to 3 GHz)
 - 10 dB (3 to 6 GHz)
- ▶ 10-lead flange mount packaging

Applications

- ▶ Military jammers
- ▶ Test and measurement
- ▶ Wireless infrastructure
- ▶ Commercial and military radars
- ▶ General-purpose transmitter amplifiers



Variable Gain Amplifiers

Analog Controlled VGAs

Part Number	Description	Bandwidth (GHz)	Gain Range (dB)	Output IP3 (dBm)	Noise Figure (dB)	V _s (V)	I _s (mA)	Package (mm)	ECCN Code	Ordering Part Number
AD8367	Single-ended, with AGC	LF to 0.5	-2.5 to +42.5	36.5	6.2	3 to 5	26	TSSOP	EAR99	AD8367ARUZ
AD8368	Single-ended, with AGC	LF to 0.8	-12 to +22	34	9.5	5	60	4 × 4 LFCSP	EAR99	AD8368ACPZ-REEL7
LTC6412	Analog VGA	LF to 0.8	-14.9 to +17.1	38	10	3.3	110	4 × 4 QFN	EAR99	LTC6412CUF#TRPBF LTC6412IUF#TRPBF
ADL5336	Cascadable, with programmable rms detector	LF to 1	-25.4 to +34.7	28	7.1	5	80	5 × 5 LFCSP	5A991.g	ADL5336ACPZ-R7
ADL5331	Differential Tx VGA	LF to 1.2	—	47	9	5	240	4 × 4 LFCSP	EAR99	ADL5331ACPZ-R7
ADL5330	Differential Tx VGA	LF to 3	-32 to +21	31.5	9	5	215	4 × 4 LFCSP	EAR99	ADL5330ACPZ-R2
ADL5246	Variable gain LNA/driver amp	0.6 to 3	-12 to +31.5	37	1.8	3.3, 5	141, 270	5 × 5 LFCSP	5A991.b	ADL5246ACPZN-R7
HMC996	Analog VGA	5 to 12	-3.5 to +18.5	34	2	5	120	4 × 4 LFCSP	EAR99	HMC996LP4E
HMC694	Analog VGA	6 to 17	0 to +23	30	5	5	170	Die	EAR99	HMC694
HMC694	Analog VGA	6 to 17	0 to +23	30	6	5	170	4 × 4 LFCSP	EAR99	HMC694LP4E
HMC997	Analog VGA	17 to 27	+5.5 to +20.5	30	3.5	5	170	4 × 4 LFCSP	EAR99	HMC997LC4
HMC6187	Analog VGA	27 to 31.5	+6 to +19	31	4.5	5	230	4 × 4 LFCSP	3A001.b.2.d	HMC6187LP4E
HMC8120	Analog VGA/driver amp	71 to 76	+15	30	—	4	250	Die	5A991.b	HMC8120
HMC8121	Analog VGA/driver amp	81 to 86	+17	27.5	—	4	265	Die	5A991.b	HMC8121

Digitally Controlled VGAs

Part Number	Description	Bandwidth (GHz)	Gain Range (dB)	Step (dB)	Output IP3 (dBm)	Noise Figure (dB)	V _s (V)	I _s (mA)	Package (mm)	ECCN Code	Ordering Part Number
HMC960	Programmable, dual	LF to 0.13	0 to +40	0.5	30	6	5	70	4 × 4 LFCSP	EAR99	HMC960LP4E
AD8372	Dual-channel diff VGA with serial/parallel control	0 to 0.1	-9 to +32	1	35	7.9	5	2 × 106	5 × 5 LFCSP	EAR99	AD8372ACPZ-R7
LT5524	Diff VGA with parallel control	LF to 0.54	+4.5 to +27	1.5	40	8.6	5	75	20-lead TSSOP	EAR99	LT5524EFE#TRPBF
AD8366	Diff VGA	LF to 0.6	+4.5 to +20.25	0.25	45	11.4	5	2 × 90	5 × 5 LFCSP	EAR99	AD8366ACPZ-R7
AD8369	Diff VGA	LF to 0.63	-5 to +40	3	19.5	7	3 to 5	37	TSSOP	EAR99	AD8369ARUZ
AD8375	Dual diff VGA	LF to 0.7	-4 to +20	1	50	8.3	5	125	4 × 4 LFCSP	EAR99	AD8375ACPZ-R7
AD8376	Diff VGA parallel/serial control	LF to 0.8	-4 to +20	1	50	8.7	5	2 × 125	5 × 5 LFCSP	EAR99	AD8376ACPZ-R7
ADL5201	Dual diff VGA parallel/serial control	LF to 0.9	-11.5 to +20	0.5	50	7.5	5	110	4 × 4 LFCSP	EAR99	ADL5201ACPZ-R7
LT5514	Diff VGA with parallel control	LF to 0.85	+10.5 to +33	1.5	47	7.4	5	148	20-lead TSSOP	EAR99	LT5514EFE#TRPBF
ADL5202	Diff VGA	LF to 0.75	-11.5 to +20	0.5	50	7.5	5	2 × 110	6 × 6 LFCSP	EAR99	ADL5202ACPZ-R7
AD8370	5-bit diff VGA	0.03 to 0.4	-8 to +34	Variable	35	7.2	3 to 5	79	TSSOP	EAR99	AD8370AREZ
LT5554	Diff VGA with parallel control	LF to 1	+1.725 to +17.6	0.125	47	10	5	110	5 × 5 QFN	EAR99	LT5554IUH#TRPBF
HMC680	Dual VGA	LF to 0.6	-4 to +19	1	40	5	5	250	4 × 4 LFCSP	EAR99	HMC680LP4E
HMC628	5-bit VGA	0.05 to 0.8	-8 to +15	1	35	5	5	65	4 × 4 LFCSP	EAR99	HMC628LP4E
ADL5240	Gain block/VGA parallel/serial control	0.1 to 4	-13.1 to +18	0.5	38	4.9	5	93	5 × 5 LFCSP	5A991.b	ADL5240ACPZ-R7
ADL5243	Gain block/VGA/driver amp parallel/serial control	0.1 to 4	-1.2 to +31.3	0.5	40	3.1	5	175.5	5 × 5 LFCSP	5A991.b	ADL5243ACPZ-R7
HMC742A	6-bit VGA serial/parallel control	0.5 to 4	-19.5 to +12	0.5	39	4	5	150	5 × 5 LFCSP	EAR99	HMC742ALP5E
ADL5335 <i>New</i>	Differential-in, single-ended out, serial control	0.7 to 4.2	-8 to +12	0.5	33	5.4	5	125	4 × 4 LFCSP	5A991.g	ADL5335ACPZN
HMC625B <i>New</i>	Gain block/VGA/driver amp parallel/serial control	0 to 5	-13.5 to +18	0.5	33	6	5	87.5	5 × 5 LFCSP	EAR99	HMC625BLP5E

Baseband Programmable VGA Filters

Part Number	Description	Bandwidth (MHz)	Gain Range (dB)	Output IP3 (dBm)	Noise Figure (dB)	V _s (V)	I _s (mA)	Package (mm)	ECCN Code	Ordering Part Number
ADRF6516	Dual, with variable LPF	LF to 31	-5 to +45	40	25	3.3	360	5 × 5 LFCSP	EAR99	ADRF6516ACPZ-R7
ADRF6510	Dual, with variable LPF	LF to 31	-5 to +45	27	28	5	258	5 × 5 LFCSP	EAR99	ADRF6510ACPZ-R7
HMC900	Dual, with programmable LPF	3.5 to 50	0/+10	30	12	5	130	5 × 5 LFCSP	EAR99	HMC900LP5E
HMC1023	Dual, with programmable LPF	5 to 72	0/+10	30	10	5	240	5 × 5 LFCSP	EAR99	HMC1023LP5E
AD8366	Dual	LF to 600	+4.5 to +20.25	38	11.4	5	180	5 × 5 LFCSP	EAR99	AD8366ACPZ-R7
ADRF6518	Dual, with variable LPF	LF to 1100	-36 to +66	36	16	3.3	360	5 × 5 LFCSP	EAR99	ADRF6518ACPZ-R7
ADRF6520 <i>New</i>	Dual, with selectable LPF for E-band	LF to 1250	-6 to +54	27 dBV	11	3.3	420	5 × 5 LFCSP	5A991.b	ADRF6520ACPZ-R7

Attenuators

Digital Step Attenuators

Part Number	Description	Frequency (GHz)	Insertion Loss (dB)	Atten Range (dB)	Step (dB)	Input IP3 (dBm)	P0.1 dB (dBm)	Control Input (VDC)	Package (mm)	ECCN Code	Ordering Part Number
HMC759	7-bit serial DSA	0.01 to 0.3	3.3	3.3 to 35	0.25	40	—	0/+5	3 × 3 LFCSP	EAR99	HMC759LP3E
HMC470A	5-bit DSA	0 to 3	1.7	1.3 to 32.3	1	48	27	0/+5	3 × 3 LFCSP	EAR99	HMC470ALP3E
HMC424A	6-bit DSA	0.1 to 3	3	3 to 34.5	0.5	42	23	0/-5	MSOP	EAR99	HMC424AG16
HMC1095	6-bit DSA	0 to 3	1.3	1.3 to 32.8	0.5	57	30	0/+5	4 × 4 LFCSP	EAR99	HMC1095LP4E
HMC8073 <i>New</i>	6-bit serial DSA	0.6 to 3	1.1	1.5 to 34	0.5	52	28	+3.3 to +5	3 × 3 LFCSP	EAR99	HMC8073LP3DE
HMC273A	5-bit DSA	0.7 to 3.7	2.8	1.9 to 32.9	1	48	—	+3.3 to +5	MSOP	EAR99	HMC273AMS10GE
HMC306A	5-bit DSA	0.7 to 3.8	1.5	1.3 to 16.8	0.5	52	25	+3.3 to +5	MSOP	EAR99	HMC306AMS10E
HMC472A	6-bit DSA	0 to 3.8	1.7	1.4 to 32.9	0.5	54	30	0/+5	4 × 4 LFCSP	EAR99	HMC472ALP4E
HMC291S	2-bit DSA	0.7 to 4	0.9	0.7 to 12.7	4	54	26	+3.3 to +5	SOT-26	EAR99	HMC291SE
HMC539A	5-bit DSA	0 to 4	1	0.7 to 8.45	0.25	50	28	0/+5	3 × 3 LFCSP	EAR99	HMC539ALP3E
HMC542B	6-bit serial DSA	0 to 4	1.7	1.4 to 32.9	0.5	50	30	0/+5	4 × 4 LFCSP	EAR99	HMC542BLP4E
HMC468A	3-bit DSA	0 to 6	0.7	0.7 to 7.7	1	55	26	0/+5	3 × 3 LFCSP	EAR99	HMC468ALP3E
HMC629A	4-bit serial/parallel DSA	0 to 6	2.5	3 to 45	3	50	—	0/+5	4 × 4 LFCSP	EAR99	HMC629ALP4E
HMC1122	6-bit DSA	0.1 to 6	1.2	1.3 to 33	0.5	55	30	+3.3 to +5	4 × 4 LFCSP	EAR99	HMC1122LP4ME
HMC792A	6-bit serial DSA	0 to 6	1.8	1.8 to 17.5	0.25	53	31	0/+5	4 × 4 LFCSP	EAR99	HMC792ALP4E
HMC624A	6-bit serial/parallel DSA	0 to 6	2.2	1.5 to 33	0.5	55	30	0/+5	4 × 4 LFCSP	EAR99	HMC624ALP4E
HMC1119	7-bit serial/parallel DSA	0.1 to 6	1.5	1.3 to 33.5	0.25	54	30	+3.3 to +5	4 × 4 LFCSP	EAR99	HMC1119LP4ME
HMC305S	5-bit, glitch free DSA	0.4 to 7	1.4	1.3 to 17	0.5	52	28	+3.3 to +5	4 × 4 LFCSP	EAR99	HMC305SLP4E
HMC540S	4-bit parallel DSA	0.1 to 8	0.8	0.7 to 15.7	1	54	31	+3.3 to +5	3 × 3 LFCSP	EAR99	HMC540SLP3E
HMC425A	6-bit DSA	2.2 to 8	3.6	0.5 to 31.5	0.5	45	24	0/+5	3 × 3 LFCSP	EAR99	HMC425ALP3E
HMC802A	1-bit DSA	0 to 10	1.5	1.5 to 20	20	55	30	0/+5	3 × 3 LFCSP	EAR99	HMC802ALP3E
HMC424A	6-bit DSA	0 to 13	3.3	3.4 to 34.4	0.5	42	24	0/-5	Die	EAR99	HMC424A
HMC424A	6-bit DSA	0 to 13	3.3	3.3 to 35.5	0.5	42	23	0/-5	3 × 3 QFN	EAR99	HMC424ALP3E
HMC424A	6-bit DSA	0.1 to 13	3.3	3.3 to 34.3	0.5	42	23	0/-5	5 × 5 QFN	EAR99	HMC424ALH5
HMC1019A* <i>New</i>	5-bit DSA	0.1 to 30	4	0.5 to 15.5	0.5	45	25	0/+5	4 × 4 LFCSP	EAR99	HMC1019ALP4E
HMC1018A* <i>New</i>	5-bit DSA	0.1 to 30	5.5	4.5 to 35.5	1	42	22	0/+5	4 × 4 LFCSP	EAR99	HMC1018ALP4E
HMC941A	5-bit DSA	0.1 to 30	4	2.5 to 18	0.5	43	24	0/+5	Die	EAR99	HMC941A
HMC941A	5-bit DSA	0.1 to 33	4	2.5 to 18	0.5	43	24	0/+5	4 × 4 LFCSP	EAR99	HMC941ALP4E
HMC939A	5-bit DSA	0.1 to 33	5.5	1 to 31	1	43	23	0/+5	4 × 4 LFCSP	EAR99	HMC939ALP4E
HMC939A	5-bit DSA	0.1 to 40	4.2	4 to 34	1	43	23	0/+5	Die	EAR99	HMC939A
ADRF5720 <i>Upcoming</i>	6-bit DSA	9 kHz to 40	4.5	0 to 31.5	0.5	50	30	0/+3.3	4 × 4 LGA	EAR99	ADRF5720BCCZLN
ADRF5721 <i>Upcoming</i>	4-bit DSA	9 kHz to 40	3.3	30	2	52	30	0/+3.3	2.5 × 2.5 LGA	EAR99	ADRF5721BCCZLN
ADRF5730 <i>Upcoming</i>	6-bit DSA	0.1 to 40	4.4	0 to 31.5	0.5	~50	~30	0/+3.3	4 × 4 LGA	EAR99	ADRF5730BCCZLN
ADRF5731 <i>Upcoming</i>	4-bit DAS	0.1 to 40	3.5	30	2	52	30	0/+3.3	2.5 × 2.5 LGA	EAR99	ADRF5731BCCZLN

Voltage Variable Attenuators

Part Number	Description	Frequency (GHz)	Insertion Loss (dB)	Attenuation Range (dB)	Input IP3 (dBm)	Control Input (V _{DC})	Package (mm)	ECCN Code	Ordering Part Number
HMC973A*	Analog VVA	0.5 to 6	3.5	3.5 to 29.5	35	0 to +5	3 × 3 LFCSP	EAR99	HMC973ALP3E
HMC346A <i>New</i>	Analog VVA	0 to 8	2.1	5 to 29	30	0 to -5	MSOP	EAR99	HMC346AMS8GE
HMC346A <i>New</i>	Analog VVA	0 to 14	2.7	5 to 30	30	0 to -5	3 × 3 LFCSP	EAR99	HMC346ALP3E
HMC346A <i>New</i>	Analog VVA	0 to 18	2.8	5 to 30	30	0 to -5	3 × 3 LFCSP	EAR99	HMC346ALC3B
HMC712A <i>New</i>	Analog VVA	5 to 26.5	3.5	10 to 42	32	0 to -5	3 × 3 LFCSP	EAR99	HMC712ALP3CE
HMC-VVD102	Analog VVA	17 to 27	1.5	1.5 to 19.5	17	-4 to +4	Die	5A991.h	HMC-VVD102
HMC812A <i>New</i>	Analog VVA	5 to 30	2.2	3 to 33	28	0 to -5	4 × 4 LFCSP	EAR99	HMC812ALC4
HMC985A <i>New</i>	Analog VVA	10 to 40	3	3 to 33	33	0 to -3	4 × 4 LFCSP	EAR99	HMC985ALP4KE
HMC985A <i>New</i>	Analog VVA	20 to 50	3.5	3 to 33	30	0 to -3	Die	EAR99	HMC985A
HMC-VVD106	Analog VVA	35 to 50	1.5	1.5 to 23.5	17	0 to +4	Die	5A991.h	HMC-VVD106
HMC-VVD104	Analog VVA	70 to 86	2	2 to 16	—	-5 to +5	Die	5A991.h	HMC-VVD104

Fixed Attenuators

Part Number	Description	Frequency (GHz)	Nominal Attenuation Range (dB)	Attenuation Accuracy	Max Input Power (dBm)	Package (mm)	ECCN Code	Ordering Part Number
HMC652*	Fixed passive	0 to 25	2	±0.5	27	2 × 2 QFN	EAR99	HMC652LP2E
HMC653*	Fixed passive	0 to 25	3	±0.5	26	2 × 2 QFN	EAR99	HMC653LP2E
HMC654*	Fixed passive	0 to 25	4	±0.5	25	2 × 2 QFN	EAR99	HMC654LP2E
HMC655	Fixed passive	0 to 25	6	±0.5	25	2 × 2 QFN	EAR99	HMC655LP2E
HMC656*	Fixed passive	0 to 25	10	±1.5	25	2 × 2 QFN	EAR99	HMC656LP2E
HMC657	Fixed passive	0 to 25	15	±2	25	2 × 2 QFN	EAR99	HMC657LP2E
HMC658	Fixed passive	0 to 25	20	±2	25	2 × 2 QFN	EAR99	HMC658LP2E
HMC650	Through line	0 to 50	0.15	±0.2	—	Die	EAR99	HMC650
HMC651	Through line	0 to 50	0.15	±0.2	—	Die	EAR99	HMC651
HMC652	Fixed passive	0 to 50	2	±0.2	27	Die	EAR99	HMC652

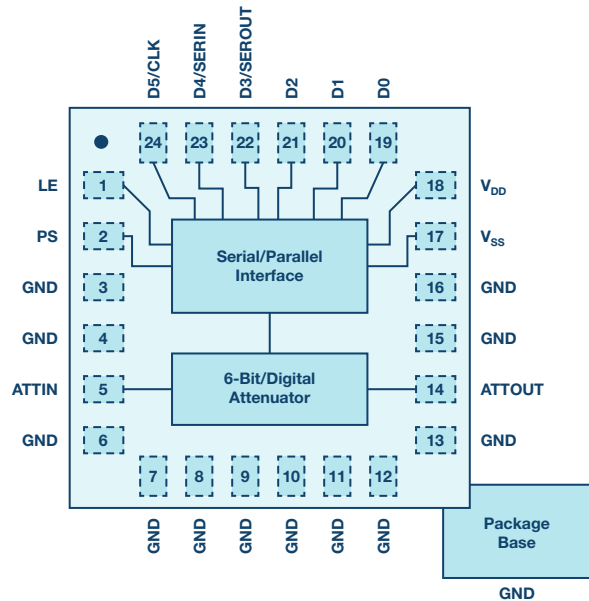
Fixed Attenuators (Continued)

Part Number	Description	Frequency (GHz)	Nominal Attenuation Range (dB)	Attenuation Accuracy	Max Input Power (dBm)	Package (mm)	ECCN Code	Ordering Part Number
HMC653	Fixed passive	0 to 50	3	±0.2	26	Die	EAR99	HMC653
HMC654	Fixed passive	0 to 50	4	±0.2	25	Die	EAR99	HMC654
HMC655	Fixed passive	0 to 50	6	±0.5	25	Die	EAR99	HMC655
HMC656	Fixed passive	0 to 50	10	±0.1	25	Die	EAR99	HMC656
HMC657	Fixed passive	0 to 50	15	±0.4	25	Die	EAR99	HMC657
HMC658	Fixed passive	0 to 50	20	±0.5	25	Die	EAR99	HMC658

ADRF5720: 9 kHz to 40 GHz, 6-Bit, 0.5 dB Step Attenuator
ADRF5730: 100 MHz to 40 GHz, 6-Bit, 0.5 dB Step Attenuator

Key Features

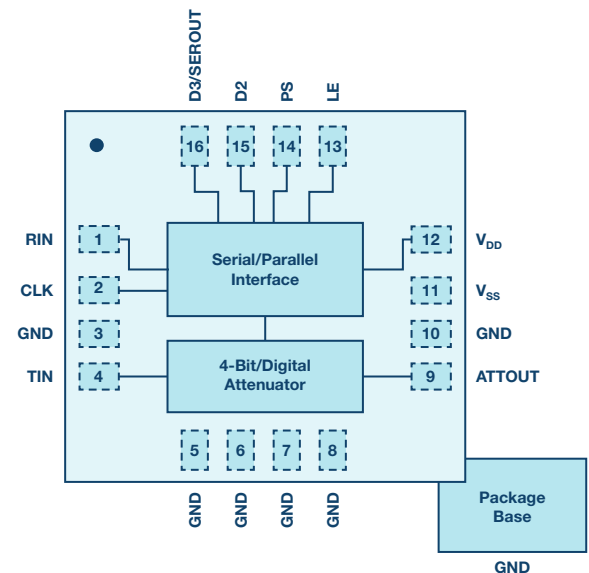
- ▶ Low insertion loss:
 - 4.5 dB at 40 GHz (ADRF5720)
 - 4.4 dB at 40 GHz (ADRF5730)
- ▶ Excellent attenuation accuracy:
 - ±0.5 dB at 40 GHz (ADRF5720)
 - 0.35 dB ±2.5% at 40 GHz (ADRF5730)
- ▶ Typical step error:
 - ±0.84 dB up to 40 GHz (ADRF5720)
 - ±0.51 dB up to 40 GHz (ADRF5730)
- ▶ High linearity, IIP3 = 50 dBm
- ▶ Low phase shift
- ▶ Glitch-free switching
- ▶ 4 mm × 4 mm LGA package



ADRF5721: 9 kHz to 40 GHz, 4-Bit, 2 dB Step Attenuator
ADRF5731: 100 MHz to 40 GHz, 4-Bit, 2 dB Step Attenuator

Key Features

- ▶ Attenuation range: 2 dB steps to 30 dB
- ▶ Low insertion loss (ADRF5721/ADRF5731):
 - 3.3 dB/3.5 dB at 40 GHz
 - 1.7 dB/1.7 dB at 18 GHz
- ▶ Excellent attenuation accuracy (ADRF5721/ADRF5731):
 - 0.5 dB ±10%/0.4 dB ±5% at 40 GHz
- ▶ Typical step error (ADRF5721/ADRF5731):
 - ±0.67 dB/±0.60 dB at 40 GHz
- ▶ High linearity, IIP3 = 50 dBm, 30 dBm P0.1dB
- ▶ High power handling 27 dBm
- ▶ Tight distribution in relative phase
- ▶ Glitch-free switching
- ▶ 2.5 mm × 2.5 mm LGA package



■ = Simulation models available in ADI's ADIsimRF and/or ADIsimPLL simulation tools.

RF Mixers

Single, Double, and Triple Balanced Mixers

Part Number	Description	RF (GHz)	LO (GHz)	IF (GHz)	Conversion Gain (dB)	Input IP3 (dBm)	LO/RF Isolation (dB)	LO/IF Isolation (dB)	Noise Figure (dB)	Input P1dB (dBm)	LO Drive Nominal (dBm)	Package (mm)	ECCN Code	Ordering Part Number
AD831	Active	0 to 0.5	0 to 0.5	0 to 0.2	0	24	70	30	10.3	10	-10	PLCC	5A991.b	AD831APZ
ADL5358	With LO and IF amp	0.7 to 1	0.53 to 1.67	0.03 to 0.45	8.3	25	31	33	9.9	11	0	6 × 6 LFCSP	5A991.b	ADL5358ACPZ-R7
HMC684	With LO amp	0.7 to 1	0.6 to 1	0 to 0.45	-7	32	23	30	7	25	0	4 × 4 LFCSP	EAR99	HMC684LP4E
HMC683	Dual Rx with LO amp	0.7 to 1	0.57 to 0.9	0.06 to 0.5	7.5	23	16	20	11	11	0	6 × 6 LFCSP	EAR99	HMC683LP6CE
ADL5369	Passive	0.3 to 1.1	0.33 to 1.55	0.03 to 0.45	-6.2	28	27	16	7.2	20	0	5 × 5 LFCSP	EAR99	ADL5369ACPZ-R7
AD8344	Active Rx	0.4 to 1.2	0.47 to 1.6	0.07 to 0.4	4.5	24	48	23	10.5	24	0	3 × 3 LFCSP	5A991.b	AD8344ACPZ-REEL7
LTC5540	Passive, with IF gain	0.6 to 1.3	0.7 to 1.2	0.005 to 0.5	7.9	25.9	33	42	9.9	11	0	5 × 5 QFN	EAR99	LTC5540IUH#TRPBF
LT5519	Active upconverting mixer	0.7 to 1.4	0.3 to 1.8	LF to 0.4	-0.6	17.1	39	35	13.6	5.5	-5	4 × 4 QFN	EAR99	LT5519EUF#TRPBF
HMC686	With LO amp	0.7 to 1.5	0.85 to 1.5	0 to 0.5	-7.5	34	26	41	7.5	24	0	4 × 4 LFCSP	EAR99	HMC686LP4E
ADL5367	With LO amp	0.5 to 1.7	0.7 to 1.7	0.03 to 0.45	-7.7	34	40	15	8.3	25	0	5 × 5 LFCSP	5A991.b	ADL5367ACPZ-R7
ADL5357	With LO and IF amp	0.5 to 1.7	0.7 to 1.7	0.03 to 0.45	8.6	27	47	7	9.1	10	0	5 × 5 LFCSP	EAR99	ADL5357ACPZ-R7
LTC5590	Dual passive, with IF gain	0.6 to 1.7	0.7 to 1.5	0.005 to 0.5	8.7	26	39	28	9.7	10.7	0	5 × 5 QFN	EAR99	LTC5590IUH#TRPBF
LT5526	Active low power mixer	LF to 2	LF to 2.5	LF to 1	0.4	14.1	50	34	13.7	1	-5	4 × 4 QFN	EAR99	LT5526EUF#TRPBF
ADL5356	Passive mixer	1.7 to 2.2	1.4 to 2.1	0.03 to 0.45	8.2	31	35	24	9.9	11	0	6 × 6 LFCSP	5A991.g	ADL5356ACPZ-R7
HMC687*	With LO amp	1.7 to 2.2	1.7 to 2.4	0 to 0.5	-8	35	32	29	8	23	0	4 × 4 QFN	EAR99	HMC687LP4E
HMC685	With LO amp	1.7 to 2.2	1.5 to 2.2	0 to 0.5	-8	35	30	30	8	24	0	4 × 4 QFN	EAR99	HMC685LP4E
HMC682	Dual Rx with LO amp	1.7 to 2.2	1.4 to 2	0.06 to 0.4	6	25	25	22	12	15	0	6 × 6 QFN	EAR99	HMC682LP6CE
LT5520	Active upconverting mixer	1.3 to 2.3	0.9 to 2.7	DC to 0.4	-1	15.9	36	30	15	4	-5	4 × 4 QFN	EAR99	LT5520EUF#TRPBF
LTC5541	Passive, with IF gain	1.3 to 2.3	1.4 to 2	0.005 to 0.5	7.8	26.4	33	38	9.6	11.3	0	5 × 5 QFN	EAR99	LTC5541IUH#TRPBF
LTC5591	Dual passive, with IF gain	1.3 to 2.3	1.4 to 2.1	0.005 to 0.5	8.5	26.2	37	40	9.9	10.7	0	5 × 5 QFN	EAR99	LTC5591IUH#TRPBF
AD8343	Active	0 to 2.5	0 to 2.5	0 to 2.5	7	17	18	44	14	3	-10	TSSP	5A991.b	AD8343ARUZ
LT5525	Active low power mixer	0.8 to 2.5	0.5 to 3	LF to 1	-2	17.6	40	40	15.1	4	-5	4 × 4 QFN	EAR99	LT5525EUF#TRPBF
ADL5365	With LO amp	1.2 to 2.5	1.23 to 2.47	0 to 0.45	-7.3	36	33	18	8.3	25	0	5 × 5 LFCSP	5A991.b	ADL5365ACPZ-R7
ADL5355	With LO and IF amp	1.2 to 2.5	1.23 to 2.47	0.03 to 0.45	8.4	27	39	13	9.2	10	0	5 × 5 LFCSP	5A991.b	ADL5355ACPZ-R7
LT5578	Active upconversion mixer	0.4 to 2.7	0.4 to 3	LF to 0.6	-0.7	25	49	22	10.5	10	0	5 × 5 QFN	EAR99	LT5578IUH#TRPBF
LT5522	Active	0.4 to 2.7	0.4 to 2.7	LF to 1	-0.1	21.5	45	60	13.9	8	-5	4 × 4 QFN	EAR99	LT5522EUF#TRPBF
LTC5542	Passive, with IF gain	1.6 to 2.7	1.7 to 2.5	0.005 to 0.5	8	26.8	35	45	9.9	11.3	0	5 × 5 QFN	EAR99	LTC5542IUH#TRPBF
LTC5592	Dual passive, with IF gain	1.6 to 2.7	1.5 to 2.5	0.005 to 0.5	8.3	27.3	35	38	9.8	11	0	5 × 5 QFN	EAR99	LTC5592IUH#TRPBF
HMC689	With LO amp	2 to 2.7	2 to 3	0 to 0.8	-7.5	32	34	26	7.5	23	0	4 × 4 QFN	EAR99	HMC689LP4E
HMC688	With LO amp	2 to 2.7	1.7 to 2.4	0 to 0.7	-7.5	35	25	27	7.5	25	0	4 × 4 QFN	EAR99	HMC688LP4E
ADL5354	Dual Rx with LO amp	2.2 to 2.7	1.75 to 2.67	0.03 to 0.45	8.6	26	37	21	10.4	11	0	6 × 6 LFCSP	5A991.b	ADL5354ACPZ-R7
ADL5353	With LO and IF amp	2.2 to 2.7	2.23 to 3.15	0.03 to 0.45	9	24	38	15	9.8	10	0	5 × 5 LFCSP	5A991.b	ADL5353ACPZ-R7
ADL5812	With LO and IF amp	0.7 to 2.8	0.25 to 2.8	0.03 to 0.45	6.7	27	46	37	11.6	13	0	6 × 6 LFCSP	5A991.g	ADL5812ACPZ-R7
ADL5811	With LO and IF amp	0.7 to 2.8	0.25 to 2.8	0.03 to 0.45	7.5	28	25	40	10.7	13	0	5 × 5 LFCSP	5A991.g	ADL5811ACPZ-R7
ADL5363	With LO amp	2.3 to 2.9	2.33 to 3.35	0 to 0.45	-7.7	31	32	22	7.6	25	0	5 × 5 LFCSP	5A991.b	ADL5363ACPZ-R7

Single, Double, and Triple Balanced Mixers (Continued)

Part Number	Description	RF (GHz)	LO (GHz)	IF (GHz)	Conversion Gain (dB)	Input IP3 (dBm)	LO/RF Isolation (dB)	LO/IF Isolation (dB)	Noise Figure (dB)	Input P1dB (dBm)	LO Drive Nominal (dBm)	Package (mm)	ECCN Code	Ordering Part Number
LT5512	Active	0 to 3	0 to 3	0 to 2	0	21	40	35	11	10.1	-10	4 × 4 QFN	EAR99	LT5512EUF#TRPBF
LT5511	Active upconverting mixer	0.01 to 3	0.03 to 2.7	0.001 to 0.3	0	17	36	-	15	5.9	-10	TSSOP	EAR99	LT5511EFE#TRPBF
LTC5551	Ultrahigh dynamic range passive	0.3 to 3.5	0.2 to 3.5	0.005 to 1	2.4	35.5	27	30	9.7	18	0	4 × 4 QFN	EAR99	LTC5551IUF#TRPBF
LT5527	Active	0.4 to 3.7	0.38 to 3.5	LF to 0.6	2.3	23.5	45	60	12.5	9	0	4 × 4 QFN	EAR99	LT5527EUF#TRPBF
AD8342	Active	0.001 to 3.8	0.001 to 4.1	0 to 2.4	3.7	23	55	27	12.2	8	0	3 × 3 LFCSP	5A991.b	AD8342ACPZ-R2
LT5557	Active, medium power	0.4 to 3.8	0.38 to 4.2	DC to 0.6	2.9	24.7	46	50	11.7	8.8	0	4 × 4 QFN	EAR99	LT5557EUF#TRPBF
LT5579	Active upconversion mixer	0.9 to 3.8	0.75 to 4.3	LF to 1	1.3	27.5	36	26	12	13.7	0	5 × 5 QFN	EAR99	LT5579IUH#TRPBF
HMC666	With LO amp	3.1 to 3.9	2.8 to 3.6	0 to 0.8	-9	31	27	29	9	23	0	4 × 4 LFCSP	EAR99	HMC666LP4E
LT5560	Active low power	0 to 4	0 to 4	0 to 4	2.4	9	52	41	9.3	-2.8	-2	3 × 3 DFN	EAR99	LT5560EDD#TRPBF
ADL5350	Passive	0.001 to 4	0.001 to 4	0.001 to 4	-6.7	25	13	29	6.4	19	4	2 × 3 LFCSP	5A991.b	ADL5350ACPZ-R2
LTC5569	Dual active	0.3 to 4	0.35 to 4.5	LF to 1.6	2	26.8	54	40	11.7	10.2	0	4 × 4 QFN	EAR99	LTC5569IUF#TRPBF
LTC5567	Active	0.3 to 4	0.3 to 4.5	0.005 to 2.5	1.9	26.9	60	42	11.8	10.1	0	4 × 4 QFN	EAR99	LTC5567IUF#TRPBF
LTC5543	Passive, with IF gain	2.2 to 4	2.4 to 3.6	0.005 to 0.6	8.4	24.5	29	37	10.2	10.9	0	5 × 5 QFN	EAR99	LTC5543IUH#TRPBF
HMC213B New	Passive	1.5 to 4.5	1.5 to 4.5	0 to 1.5	-10	21	32	30	10	11	13	MSOP8	EAR99	HMC213BMS8GE
LTC5593	Dual passive, with IF gain	2.3 to 4.5	2.1 to 3.8	0.005 to 0.6	8.5	27.7	35	44	9.5	10.4	0	5 × 5 QFN	EAR99	LTC5593IUH#TRPBF
LTC5510	Active	0.001 to 6	0.001 to 6.5	0.001 to 6	1.1	25	65	35	11.6	11.5	0	4 × 4 QFN	EAR99	LTC5510IUF#TRPBF
ADL5801	Active	0.001 to 6	0.001 to 6	0.001 to 0.6	1.8	29	31	27	9.75	13	0	4 × 4 LFCSP	5A991.b	ADL5801ACPZ-R7
ADL5802	Dual active	0.1 to 6	0.1 to 6	0 to 3	1.5	28	30	37	11	12	0	4 × 4 LFCSP	5A991.b	ADL5802ACPZ-R7
LTC5577	Active	0.3 to 6	0.3 to 6	0.001 to 1.5	0.7	30.2	67	35	11.8	15.2	0	4 × 4 QFN	EAR99	LTC5577IUF#TRPBF
LTC5566	Dual active, with IF VGA	0.3 to 6	0.15 to 6	0.001 to 0.5	-1.6 to +10.6	24.1	58	47	13	6.1 to 13.3	0	5 × 5 QFN	EAR99	LTC5566IUH#TRPBF
LTC5544	Passive, with IF gain	4 to 6	4.2 to 5.8	0.005 to 1	7.4	25.9	30	28	11.3	11.4	0	5 × 5 QFN	EAR99	LTC5544IUF#TRPBF
LTC5562 New	Active low power	LF to 7	DC to 9	DC to 7	1	18	34	38	14.6	5	-1	2 × 2 QFN	EAR99	LTC5562IUC#TRPBF
LTC5556 New	Dual active, with VGA	1.5 to 7	0.5 to 8	0.001 to 0.9	-6.1 to +9.1	23	46	-	15.2	10.9	0	5 × 5 QFN	EAR99	LTC5556IUH#TRPBF
HMC557A	Passive	2.5 to 7	2.5 to 7	0 to 3	-7	22	47	34	7	10	15	4 × 4 LFCSP	EAR99	HMC557ALC4
HMC219B New	Passive	2.5 to 7	2.5 to 7	0 to 3	-9	18	40	35	9	11	13	MSOP	EAR99	HMC219BMS8GE
LTC5576	Active upconversion mixer	3 to 8	1 to 8	0.03 to 6	-0.6	25.6	40	35	14.1	10.4	0	4 × 4 QFN	EAR99	LTC5576IUF#TRPBF
HMC218B	Passive	3.5 to 8	3.5 to 8	0 to 1.6	-7	17	38	32	7	10	13	MSOP	EAR99	HMC218BMS8GE
HMC129A New	Passive	4 to 8	4 to 8	0 to 3	-7	17	40	40	7	10	15	4 × 4 LFCSP	EAR99	HMC129ALC4
HMC787A*	Passive	3 to 10	3 to 10	0 to 4	-9	24	43	26	9	17	13	3 × 3 LFCSP	EAR99	HMC787ALC3B
HMC220B New	Passive	5 to 12	5 to 12	0 to 4	-10	18	57	38	10	9.5	10	MSOP	EAR99	HMC220BMS8GE
LTC5548	With 2× LO	2 to 14	1 to 12	DC to 6	-10.2	18.7	29	32	9.6	15.2	0	3 × 2 QFN	EAR99	LTC5548IUSB#TRPBF
LTC5549	With 2× LO	2 to 14	1 to 12	0.5 to 6	-10.8	22.8	30	23	10.4	14.3	0	3 × 2 QFN	EAR99	LTC5549IUSB#TRPBF
HMC558A* New	Passive	5.5 to 14	5.5 to 14	0 to 6	-9	22	33	33	7.5	11.5	15	3 × 3 LFCSP	EAR99	HMC558ALC3B
HMC553A	Passive	6 to 14	6 to 14	0 to 5	-9	22	37	33	7.5	11.5	13	3 × 3 LFCSP	EAR99	HMC553ALC3B
HMC412B	Passive	9 to 15	9 to 15	0 to 2.5	-8.4	18	44	41	8.4	11	13	MSOP	EAR99	HMC412BMS8GE
HMC1048A* New	Passive	2.25 to 18	2.25 to 18	0 to 4	-10	20	30	30	10	11	13	3 × 3 LFCSP	EAR99	HMC1048ALC3B

= Simulation models available in ADI's ADIsimRF and/or ADIsimPLL simulation tools. * = X-Microwave

Single, Double, and Triple Balanced Mixers (Continued)

Part Number	Description	RF (GHz)	LO (GHz)	IF (GHz)	Conversion Gain (dB)	Input IP3 (dBm)	LO/RF Isolation (dB)	LO/IF Isolation (dB)	Noise Figure (dB)	Input P1dB (dBm)	LO Drive Nominal (dBm)	Package (mm)	ECCN Code	Ordering Part Number
LTC5553	With integ LO buffer	3 to 20	1 to 20	0.5 to 9	-11.6	21.5	32	20	12.1	14.8	0	3 × 2 QFN	EAR99	LTC5553IUBB#TRPBF
LTC5552	With integ LO buffer	3 to 20	1 to 20	DC to 6	-10.8	18.5	24	19	11.7	14.8	0	3 × 2 QFN	EAR99	LTC5552IUBB#TRPBF
HMC554A* New	Passive	10 to 20	10 to 20	0 to 6	-8.5	20	37	41	9.5	21	13	3 × 3 LFCSP	EAR99	HMC554ALC3B
HMC773A*	Passive	6 to 26	6 to 26	0 to 8	-9	19	37	37	9	10	13	3 × 3 LFCSP	EAR99	HMC773ALC3B
HMC260A*	Passive	10 to 26	10 to 26	0 to 8	-9	23	40	43	10	13	13	3 × 3 LFCSP	EAR99	HMC260ALC3B
HMC260A New	Passive	10 to 26	10 to 26	0 to 8	-8.5	22	40	37	11.5	12	13	Die	EAR99	HMC260A
HMC292A*	Passive	14 to 30	14 to 30	0 to 8	-9	19	48	40	10.5	12	13	3 × 3 LFCSP	EAR99	HMC292ALC3B
HMC292A New	Passive	14 to 32	14 to 32	0 to 8	-9	20	46	34	11	12	13	Die	EAR99	HMC292A
HMC329A* Upcoming	Passive	24 to 32	24 to 32	0 to 8	-10.5	18	38	40	10.5	13	13	3 × 3 QFN	EAR99	HMC329ALC3B
HMC1106	Passive	15 to 36	20 to 50	0 to 24	-11	16	38	32	9	0	15	Die	EAR99	HMC1106
HMC774A* New	Passive	7 to 34	7 to 34	0 to 8	-12	20	30	23	12	12	15	3 × 3 LFCSP	EAR99	HMC774ALC3B
HMC774A Upcoming	Passive	7 to 43	7 to 43	0 to 10	-9.5	22	38	40	9.5	13	13	Die	EAR99	HMC774A
HMC560A Upcoming	Passive	24 to 40	24 to 40	0 to 17	-10.5	21	31	35	10.5	14	13	5 × 5 LFCSP	EAR99	HMC560ALM3
HMC329A Upcoming	Passive	25 to 40	25 to 40	0 to 8	-9.5	19	42	35	9.5	11	13	Die	EAR99	HMC329A
HMC-MDB169	Passive	54 to 64	54 to 64	0 to 5	-8	13	30	25	8	4	13	Die	5A991.h	HMC-MDB169
HMC1081	Passive	50 to 75	40 to 85	0 to 26	-7.5	16	30	20	7.5	10	12	Die	EAR99	HMC1081
HMC-MDB277	Passive	70 to 90	70 to 90	0 to 18	-12	—	—	—	—	—	14	Die	5A991.h	HMC-MDB277

I/Q Mixers and Image Reject Mixers

Part Number	Description	RF (GHz)	LO (GHz)	IF (GHz)	Conversion Gain (dB)	Input IP3 (dBm)	Image Rejection (dB)	LO/RF Isolation (dB)	LO/IF Isolation (dB)	Input P1dB (dBm)	LO Drive Nominal (dBm)	Package (mm)	ECCN Code	Ordering Part Number
HMC8193	I/Q and IRM	2.5 to 8.5	2.5 to 8.5	0 to 4	-9	20	25	48	38	13	18	4 × 4 LFCSP	EAR99	HMC8193LC4
HMC525A New	I/Q and IRM	4 to 8.5	4 to 8.5	0 to 3.5	-8	20	30	47	23	13	15	4 × 4 LFCSP	EAR99	HMC525ALC4
HMC520A New	I/Q and IRM	6 to 10	6 to 10	0 to 3.5	-8	19	23	43	25	10	15	4 × 4 LFCSP	EAR99	HMC520ALC4
HMC1056	I/Q and IRM	8 to 12	8 to 12	0 to 4	-8	18	21	40	37	9	10	4 × 4 LFCSP	EAR99	HMC1056LP4BE
HMC521A Upcoming	I/Q and IRM	8.5 to 13.5	8.5 to 13.5	0 to 3.5	-8	23	38	50	22	14	15	4 × 4 LFCSP	EAR99	HMC521ALC4
HMC8191*	I/Q and IRM	6 to 26.5	6 to 26.5	0 to 5	-9	24	25	40	40	15	18	4 × 4 LFCSP	EAR99	HMC8191LC4
HMC1063	I/Q and IRM	24 to 28	24 to 28	0 to 3	-9.5	17	21	38	40	8	10	3 × 3 LFCSP	EAR99	HMC1063LP3E
HMC524A New	I/Q and IRM	22 to 32	22 to 32	0 to 4.5	-9	18	26	35	25	17	17	3 × 3 LFCSP	EAR99	HMC524ALC3B
HMC-MDB172	I/Q and IRM	19 to 33	19 to 33	0 to 5	-8	17	25	35	23	8	16	Die	5A991.h	HMC-MDB172
HMC8192 Upcoming	I/Q and IRM	20 to 42	20 to 42	0 to 5	-8.5	22	25	45	—	—	18	4 × 4 LFCSP	EAR99	HMC8192LG
HMC-MDB171	Subharmonic I/Q	35 to 45	35 to 45	0 to 5	-12.5	17	25	35	20	8	16	Die	5A991.h	HMC-MDB171
HMC-MDB218	Subharmonic I/Q	54 to 64	27 to 32	0 to 3	-12.5	7	30	30	30	-2	10	Die	5A991.h	HMC-MDB218

Subharmonic Mixers

Part Number	Description	RF (GHz)	LO (GHz)	IF (GHz)	Conversion Gain (dB)	Input IP3 (dBm)	LO/RF Isolation (dB)	LO/IF Isolation (dB)	Input P1dB (dBm)	Image Rejection (dB)	LO Drive (dBm)	Package (mm)	ECCN Code	Ordering Part Number
HMC337	Subharmonic	17 to 25	9 to 12	0 to 3	-9	10	27	47	0	—	-5	Die	EAR99	HMC337
HMC264	Subharmonic	20 to 30	10 to 15	0 to 4	-9	12	35	40	4	—	-4	3 × 3 QFN	EAR99	HMC264LM3
HMC264	Subharmonic	21 to 31	10.5 to 15.5	0 to 6	-9	12	30	40	3	—	-4	3 × 3 LFCSP	EAR99	HMC264LC3B
HMC264	Subharmonic	20 to 32	10 to 16	0 to 6	-10	13	37	40	4	—	-4	Die	EAR99	HMC264
HMC265	Subharmonic	20 to 31	10 to 15.5	0.7 to 3	3	10	28	47	2	—	-4	3 × 3 QFN	EAR99	HMC265LM3
HMC265	Subharmonic	20 to 32	10 to 16	0.7 to 3	3	10	30	55	2	—	-4	Die	EAR99	HMC265
HMC338	Subharmonic	26 to 33	13 to 16.5	0 to 2.5	-9	10	32	40	1	—	-5	Die	5A991.b	HMC338

Subharmonic Mixers (Continued)

Part Number	Description	RF (GHz)	LO (GHz)	IF (GHz)	Conversion Gain (dB)	Input IP3 (dBm)	LO/RF Isolation (dB)	LO/IF Isolation (dB)	Input P1dB (dBm)	Image Rejection (dB)	LO Drive (dBm)	Package (mm)	ECCN Code	Ordering Part Number
HMC338	Subharmonic	24 to 34	12 to 16.5	0 to 3	-11	13	33	50	5	—	-5	3 × 3 LFCSP	5A991.b	HMC338LC3B
HMC404	Subharmonic I/Q	26 to 33	13 to 16.5	0 to 3	-11	16	35	35	6	22	2	Die	EAR99	HMC404
HMC339	Subharmonic	33 to 42	16.5 to 21	0 to 3	-10	10	37	40	0	—	2	Die	EAR99	HMC339
HMC1093	Subharmonic	37 to 46.5	8.5 to 11	0 to 7.5	-11	26	15	18	18	—	-1	Die	EAR99	HMC1093
HMC1057	Subharmonic I/Q	71 to 86	29 to 43	0 to 12	-12	13	50	30	0	16	13	Die	EAR99	HMC1057
HMC1058	Subharmonic	71 to 86	29 to 43	0 to 12	-11	6	28	20	0	—	9	Die	EAR99	HMC1058

I/Q Downconverters/Receivers

Part Number	Description	RF (GHz)	LO (GHz)	IF (GHz)	Conversion Gain (dB)	Input IP3 (dBm)	Image Rejection (dBc)	Noise Figure (dB)	LO Drive Nominal (dBm)	V _{SUPPLY} (V)	I _{SUPPLY} (mA)	Package (mm)	ECCN Code	Ordering Part Number
HMC951A <i>New</i>	Low noise, I/Q downconverter	5.6 to 8.6	4.5 to 12.1	DC to 3.5	13	3	32	2	0	5	155	4 × 4	EAR99	HMC951ALP4E
HMC951B	I/Q downconverter	5.6 to 8.6	5.6 to 8.6	0 to 3.5	13	1	24	2	2	3.5	160	4 × 4 LFCSP	EAR99	HMC951BLP4E
HMC8108	I/Q downconverter	9 to 10	9 to 10	0.02 to 1	13	6	20	2	-5	3, 3, 1.5	20, 30, 40	5 × 5 LFCSP	EAR99	HMC8108LC5
ADMV1010 <i>New</i>	I/Q downconverter	12.6 to 15.4	9 to 12.6	2.7 to 3.5	15	1	25	2	0	4	160	4.9 × 4.9 LCC	EAR99	ADMV1010AEZ
HMC1113	I/Q downconverter	10 to 16	10 to 16	0 to 3.5	12	1	25	2	6	3, 4	160	5 × 5 LFCSP	EAR99	HMC1113LP5E
HMC966	I/Q downconverter	17 to 20	7.5 to 11.75	0 to 3.5	14	0	40	3	6	3.5	160	4 × 4 LFCSP	EAR99	HMC966LP4E
HMC570	I/Q downconverter	17 to 21	7 to 12	0 to 3.5	12	1	22	4	3.5	3.5	125	Die	EAR99	HMC570
HMC570	I/Q downconverter	17 to 21	7 to 12	0 to 3.5	10	2	17	3	4	3.5	125	5 × 5 LFCSP	EAR99	HMC570LC5
ADMV1012 <i>New</i>	I/Q downconverter	17.5 to 24	7 to 13.5	2.5 to 3.5	15	3	25	2.1	0	3.3	238	4.9 × 4.9 LCC	EAR99	ADMV1012AEZ
HMC904	I/Q downconverter	17 to 24	7.5 to 12.3	0 to 3.5	12	0	32	3	4	3.5	160	5 × 5 LFCSP	EAR99	HMC904LC5
HMC967	I/Q downconverter	21 to 24	8.8 to 13.5	0 to 3.5	15	1	25	3	6	3.5	170	4 × 4 LFCSP	EAR99	HMC967LP4E
HMC571	I/Q downconverter	21 to 25	9 to 14	0 to 3.5	11	5	24	3	4	3.5	125	Die	EAR99	HMC571
HMC571	I/Q downconverter	21 to 25	9 to 14	0 to 3.5	11	6	23	3	4	3.5	125	5 × 5 LFCSP	EAR99	HMC571LC5
HMC572	I/Q downconverter	23 to 28	9 to 15.5	0 to 3.5	10	6	20	4	4	3.5	125	5 × 5 LFCSP	EAR99	HMC572LC5
HMC977	I/Q downconverter	20 to 28	8.3 to 15.7	0 to 3.5	14	2	21	3	6	3.5	170	4 × 4 LFCSP	EAR99	HMC977LP4E
HMC1065	I/Q downconverter	27 to 34	11.5 to 19	0 to 4	12	-2	17	3	2	3	240	4 × 4 LFCSP	EAR99	HMC1065LP4E
ADMV1014 <i>Upcoming</i>	Wideband I/Q downconverter with 4× LO	24.5 to 43.5	5.4 to 11.75	0 to 6	20	-4	28	3.5	0	3.3	TBD	5 × 5 LGA	EAR99	ADMV1014
HMC6147A	I/Q downconverter	37 to 44	16.5 to 22	0 to 4	13	2	25	4	3	3	225	5 × 5 LFCSP	EAR99	HMC6147ALC5A
HMC6789B	I/Q downconverter	37 to 44	16.5 to 24	0 to 4	14		14	3.5	3	150, 75	3, 3	5 × 5 LFCSP	EAR99	HMC6789BLC5A
HMC7586 <i>New</i>	E-band I/Q downconverter	71 to 76	11.83 to 14.33	0 to 10	12.5	-1	28	5	2	4, 1.5, 3	175, 80, 50	Die	5A991.b	HMC7586
HMC8326 <i>New</i>	E-band I/Q downconverter SiP	71 to 76	11.5 to 13	0 to 2	12	1	30	6	4	4, 1.5, 3	175, 80, 50	SiP	5A991.b, EAR99	HMC8326LG
HMC7587 <i>New</i>	E-band I/Q downconverter	81 to 86	11.83 to 14.33	0 to 10	10	-2	30	6	2	4, 1.5, 3	175, 80, 50	Die	5A991.b	HMC7587
HMC8327 <i>New</i>	E-band I/Q downconverter SiP	81 to 86	13.2 to 14.6	0 to 2	8.5	2	30	6	4	4, 1.5, 3	175, 80, 50	SiP	5A991.b, EAR99	HMC8327LG

I/Q Upconverters/Transmitters

Part Number	Description	RF (GHz)	LO (GHz)	IF (GHz)	Conversion Gain (dB)	Output IP3 (dBm)	Sideband Rejection (dBc)	LO Drive Nominal	V _{SUPPLY} (V)	I _{SUPPLY} (mA)	Package (mm)	ECCN Code	Ordering Part Number
HMC6505A <i>New</i>	I/Q upconverter	5.6 to 8.6	2.5 to 11.6	0 to 3	15	35	22	4	5	225	5 × 5 LFCSP	EAR99	HMC6505ALC5
ADMV1009 <i>New</i>	Differential I/Q upconverter	12.7 to 15.4	9 to 12.6	2.8 to 4	21	35	20	0	+5, -1.1	250, 60	5 × 5 LFCSP	EAR99	ADMV1009AEZ
HMC7911 <i>New</i>	I/Q upconverter	17 to 20	8.5 to 11.75	0 to 3.5	18	33	30	4	5	320	5 × 5 LFCSP	EAR99	HMC7911LP5E

I/Q Upconverters/Transmitters (Continued)

Part Number	Description	RF (GHz)	LO (GHz)	IF (GHz)	Conversion Gain (dB)	Output IP3 (dBm)	Sideband Rejection (dBc)	LO Drive Nominal	V _{SUPPLY} (V)	I _{SUPPLY} (mA)	Package (mm)	ECCN Code	Ordering Part Number
ADRF6780	Wideband I/Q upconverter	5.9 to 23.6	5.4 to 14	0 to 3.5	13	26	25	0	3.3, 5	400, 160	5 × 5 LFCSP	5A991.h	ADRF6780ACPZN-R7
ADMV1011 <i>New</i>	I/Q upconverter	17 to 24	8 to 12	2 to 4	21	33	32	0	+3.5, +5, -1.8	160, 220, 75	4.9 × 4.9 LCC	EAR99	ADMV1011AEZ
HMC7912 <i>New</i>	I/Q upconverter	21 to 24	8.75 to 12	0 to 3.5	15	33	22	4	5	320	5 × 5 LFCSP	EAR99	HMC7912LP5E
HMC815B* <i>New</i>	I/Q upconverter	21 to 27	10.5 to 14.5	0 to 3.75	12	27	22	4	4.5	350	5 × 5 LFCSP	EAR99	HMC815BLC5
HMC6787A	I/Q upconverter	37 to 40	16.5 to 22	0 to 4	10	26	17	4	3	350	5 × 5 LFCSP	EAR99	HMC6787ALC5A
ADMV1013 <i>Upcoming</i>	Wideband I/Q upconverter with 4 × LO	14.5 to 43.5	5.4 to 11.75	0 to 6	14	24	25	0	3.3	TBD	6 × 6 LGA	EAR99	ADMV1013
HMC6146B	I/Q upconverter	40 to 44	18 to 22	0 to 4	11	28	18	4	3	350	5 × 5 LFCSP	EAR99	HMC6146BLC5A
HMC8118	E-band I/Q upconverter	71 to 76	11.83 to 14.33	0 to 10	11	—	22	2	4, 1.5	175, 80	Die	5A991.b	HMC8118
HMC7584 <i>New</i>	E-band I/Q upconverter SiP	71 to 76	11.8 to 12.7	0 to 2	27.5 to 39	31	20	4	+4, -1, +1.5	905	SiP	5A991.b, EAR99	HMC7584LG
HMC8119	E-band I/Q upconverter	81 to 86	11.83 to 14.33	0 to 10	10	—	22	2	4, 1.5	175, 80	Die	5A991.b	HMC8119
HMC7585 <i>New</i>	E-band I/Q upconverter SiP	81 to 86	13.4 to 14.6	0 to 2	27.5 to 39	30	20	4	4, 1.5, 3	905	SiP	5A991.b, EAR99	HMC7585LG

Mixers with Integrated LO

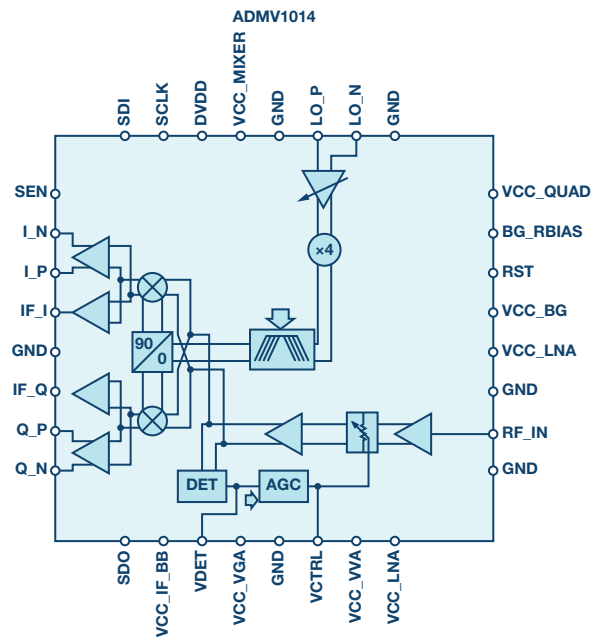
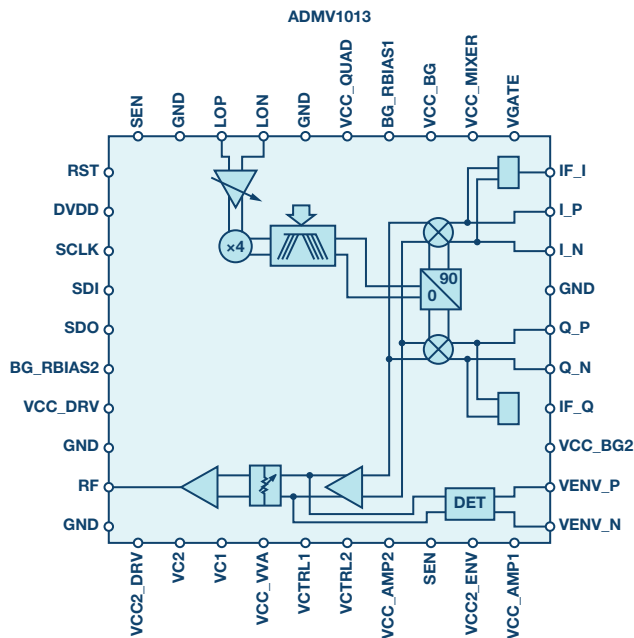
Part Number	Description	RF (GHz)	LO (GHz)	IF (GHz)	Power Gain (dB)	PLL Phase Noise @ 10 kHz Offset (dBc/Hz)	VCO Phase Noise @ 1 MHz Offset (dBc/Hz)	Input IP3 (dBm)	Noise Figure (dB)	V _{SUPPLY} (V)	I _{SUPPLY} (mA)	Package (mm)	ECCN Code	Ordering Part Number
HMC1190A	Dual Rx with frac-N PLL and VCO	0.7 to 2.39	0.05 to 4	0.05 to 0.35	8.9	-118	-139	27	9	5, 3.3	—	6 × 6 LFCSP	5A991.h	HMC1190ALP6NETR
ADRF6655	With PLL and VCO	0.1 to 2.5	1.05 to 2.3	LF to 2.2	6	-83	-136	29	12	5	260 to 285	6 × 6 LFCSP	5A991.b	ADRF6655ACPZ-R7
ADRF6601	With PLL and VCO	0.3 to 2.5	0.75 to 1.16	0 to 0.5	6.7	-99	-135	30.9	13.5	5	253 to 281	6 × 6 LFCSP	5A991.b	ADRF6601ACPZ-R7
ADRF6620	Rx mixer with IF, DGA, frac-N PLL, and VCO	0.7 to 2.5	0.35 to 2.85	—	9	-81	-110	40	19	5	260, 340	7 × 7 LFCSP	5A991.h	ADRF6620ACPZ-R7
ADRF6612	Dual Rx mixer with tunable balun, PLL, and VCO	0.7 to 3	0.2 to 2.7	0.04 to 0.5	9.3	-80	-138	28	11.3	5, 3.6	260, 260	7 × 7 LFCSP	5A991.g	ADRF6612ACPZ-R7
ADRF6614	Dual Rx mixer with tunable balun, PLL, and VCO	0.7 to 3	0.2 to 2.7	0.02 to 0.5	9.3	MC-GSM compliant	MC-GSM compliant	28	11.3	5, 3.6	260, 260	7 × 7 LFCSP	5A991.h	ADRF6614ACPZ-R7
ADRF6602	With PLL and VCO	1 to 3.1	1.55 to 2.15	0 to 0.5	6.5	-92	-128	29.5	12	5	235 to 263	6 × 6 LFCSP	5A991.b	ADRF6602ACPZ-R7
ADRF6603	With PLL and VCO	1.1 to 3.2	2.1 to 2.6	0 to 0.5	6.7	-88	-128	29.3	15.6	5	235 to 261	6 × 6 LFCSP	5A991.b	ADRF6603ACPZ-R7
ADRF6604	With PLL and VCO	1.2 to 3.6	2.5 to 2.9	0 to 0.5	6.8	-87	-126	27	15.5	5	135 to 276	6 × 6 LFCSP	5A991.b	ADRF6604ACPZ-R7
ADRF6658	Dual Rx with IF amp	0.69 to 3.8	N/A	—	Programmable 26.5	N/A	N/A	12 to 29	13	3.3	Selectable 260 to 440	7 × 7 LFCSP	5A991.h	ADRF6658BCPZ-RL7

ADMV1013: 24.5 to 43.5 GHz Wideband Microwave Upconverter**ADMV1014: 24.5 to 43.5 GHz Wideband Microwave Downconverter****ADMV1013 Key Features**

- ▶ DC to 6 GHz I/Q input bandwidth
- ▶ Two up conversion modes:
 - Direct conversion from BB I/Q to RF
 - Single sideband up conversion from IF
- ▶ 0 dBm LO drive
- ▶ On-chip 4× LO input: 5.4 GHz to 11.75 GHz
- ▶ Conversion gain: 14 dB
- ▶ Output IP3: 24 dBm
- ▶ Sideband suppression: 25 dB
- ▶ SPI tunable sideband suppression, gain, and filter
- ▶ 6 mm × 6 mm CSP package

ADMV1014 Key Features

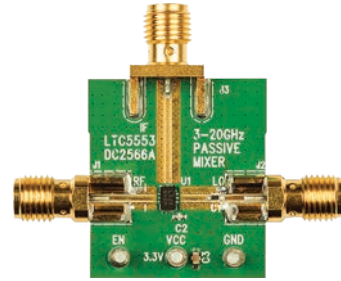
- ▶ DC to 6 GHz I/Q output bandwidth
- ▶ Two down conversion modes:
 - Direct conversion from RF to baseband I/Q
 - Image-reject down conversion to complex IF
- ▶ 0 dBm LO drive
- ▶ On-chip 4× LO input: 5.4 GHz to 11.75 GHz
- ▶ Conversion gain: 20 dB
- ▶ NF: 3.5 dB
- ▶ Input IP3: -4 dBm
- ▶ Sideband suppression: 28 dB
- ▶ SPI tunable sideband suppression and gain
- ▶ 5 mm × 5 mm CSP package



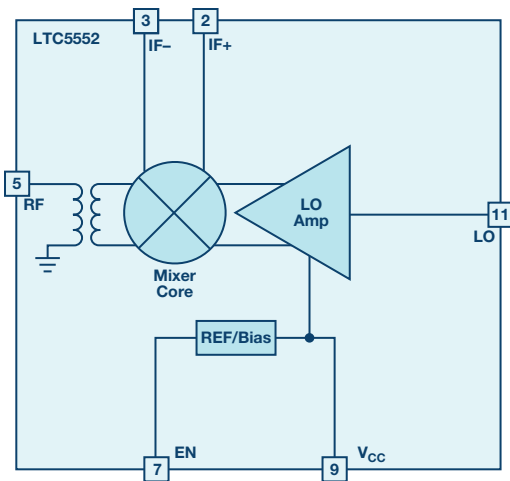
LTC5552/LTC5553: 3 GHz to 20 GHz Wideband Mixer with LO Amp

Key Features

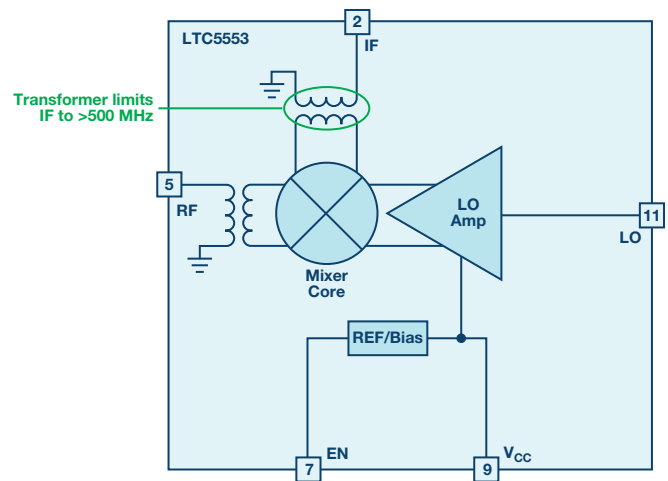
- ▶ Integrated LO buffer: 0 dBm LO drive
- ▶ Ultrawideband matched over full RF and LO frequency range
- ▶ Bidirectional up or downconversion
- ▶ Tiny 3 mm × 2 mm solution



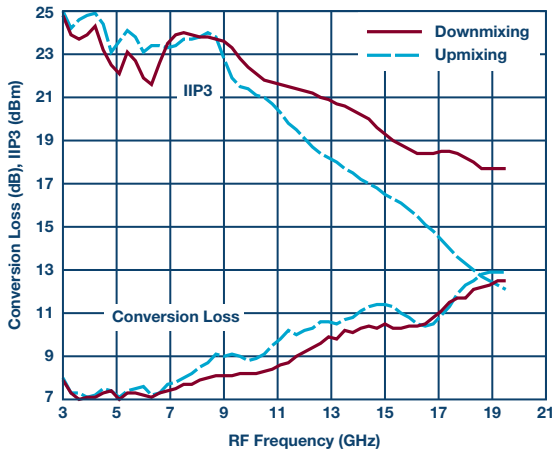
Specification	LTC5552	LTC5553
IF (GHz, 50 Ω)	DC to 6	0.5 to 9
LO (50 Ω matched)	1 GHz to 20 GHz	1 GHz to 20 GHz
Conversion loss	10.8 dB	11.6 dB
Input IP3	18.3 dBm	21.5 dBm
Noise figure	11.7 dB	12.8 dB
P1dB	14.6 dBm	16 dBm



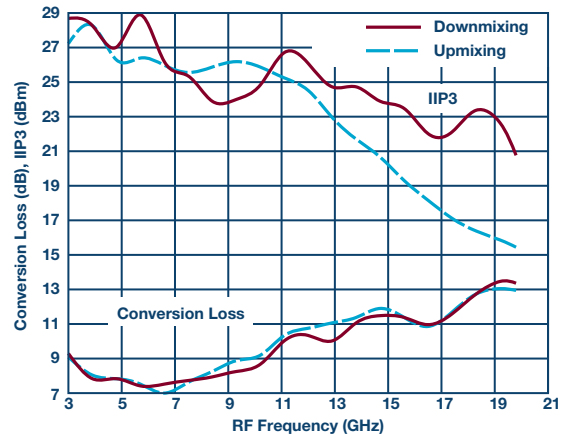
GND Pins Are Not Shown



Conversion Loss and IIP3 vs RF Frequency
(Low Side LO, IF = 240 MHz)



Conversion Loss and IIP3
(Low Side LO, IF = 1890 MHz)



I/Q Modulators and Demodulators

I/Q Modulators

Part Number	Description	RF Frequency (GHz)	LO Spur (dBm)	Sideband Suppression (dBc)	Noise (dBm/Hz)	Output P1dB (dBm)	Output IP3 (dBm)	Baseband Bandwidth @ 3 dB (MHz)	V _s (V)	I _{sv} (mA)	Package (mm)	ECCN Code	Ordering Part Number
ADL5590	Narrow-band	0.869 to 0.9	—	-50	-157	16	29	250	5	170	6 × 6 LFCSP	5A991.b	ADL5590ACPZ-R7
AD8345	Low power	0.14 to 1	-42	-42	-155	2.5	25	80	3, 5	58, 62	TSSOP	5A991.b	AD8345AREZ
ADL5370	Narrow-band	0.3 to 1	-50	-41	-160	11	24	500	5	205	4 × 4 LFCSP	5A991.b	ADL5370ACPZ-R7
LT5568	Wideband	0.7 to 1.05	-43	-46	-160.3	8.3	22.9	380	5	117	4 × 4 QFN	EAR99	LT5568EUF#TRPBF
LT5568-2	GSM optimized	0.7 to 1.05	-43	-52	-159.4	8.6	22.9	380	5	110	4 × 4 QFN	EAR99	LT5568-2EUF#TRPBF
LT5558	Narrow-band	0.6 to 1.1	-43.7	-49	-158	7.8	22.4	400	5	108	4 × 4 QFN	EAR99	LT5558EUF#TRPBF
LT5571	Narrow-band	0.62 to 1.1	-42	-53	-159	8.1	21.7	400	5	97	4 × 4 QFN	EAR99	LT5571EUF#TRPBF
LTC5599	Low power	0.03 to 1.3	-51.5	-52.6	-156.7	5	20.8	57	3.3	28	4 × 4 QFN	EAR99	LTC5599IUF#TRPBF
ADL5371	Narrow-band	0.5 to 1.5	-50	-55	-159	14.5	27	500	5	175	4 × 4 LFCSP	5A991.b	ADL5371ACPZ-R7
LTC5598	Wideband	0.005 to 1.6	-51	-55	-160.9	8.4	25.5	400	5	165	4 × 4 QFN	EAR99	LTC5598IUF#TRPBF
ADL5591	Narrow-band	0.805 to 1.905	—	-47	-157	16	30	250	5	170	6 × 6 LFCSP	5A991.b	ADL5591ACPZ-R7
ADL5386	VGA and AGC	0.05 to 2.2	-38	-46	-160	11.1	25	700	5	230	6 × 6 LFCSP	5A991.b	ADL5386ACPZ-R7
ADL5385	Broadband	0.3 to 2.2	-46	-50	-159	11	26	500	5	215	4 × 4 LFCSP	5A991.b	ADL5385ACPZ-R7
LT5528	Narrow-band	1.5 to 2.4	-42	-45	-159.3	7.9	21.8	400	5	125	4 × 4 QFN	EAR99	LT5528EUF#TRPBF
LT5572	Narrow-band	1.5 to 2.5	-39.4	-41.2	-158.6	9.3	21.6	460	5	120	4 × 4 QFN	EAR99	LT5572EUF#TRPBF
ADL5372	Narrow-band	1.5 to 2.5	-45	-45	-158	14.2	27	500	5	165	4 × 5 LFCSP	5A991.b	ADL5372ACPZ-R2
AD8346	Low power	0.8 to 2.5	-42	-36	-147	-3	20	70	3, 5	43, 45	TSSOP	5A991.b	AD8346ARUZ
AD8349	Low power	0.7 to 2.7	-45	-35	-155	7.6	21	160	5	135	TSSOP	5A991.b	AD8349AREZ
HMC795	With VGA	0.05 to 2.8	—	-53	-156	11	25	440	3.3, 5	127	5 × 5 QFN	EAR99	HMC795LP5E
ADL5373	Narrow-band	2.3 to 3	-32	-57	-157	13.8	26	500	5	174	4 × 4 LFCSP	5A991.b	ADL5373ACPZ-WP
HMC1097	Wideband	0.1 to 6	-40	-40	-162	11	29	700	5	170	4 × 4 LFCSP	EAR99	HMC1097LP4E
LTC5588-1	Wideband	0.2 to 6	-39.6	-56.6	-160.6	12	31	600	3.3	303	4 × 4 QFN	EAR99	LTC5588IPF-1#TRPBF
ADL5375	Broadband	0.4 to 6	-46	-52	-160	9.4	26.8	750	5	200	4 × 4 LFCSP	5A991.b	ADL5375-05ACPZ-R2
LTC5589	Low power	0.7 to 6	-40.2	-41.5	-158.1	3.9	17.5	167	3.3	29.5	4 × 4 QFN	EAR99	LTC5589IUF#TRPBF
New ADRF6780	Wideband	5.9 to 23.6	-25	25	-147	11	27	750	3.3, 5	490, 160	5 × 5 LFCSP	5A991.h	ADRF6780ACPZN-R7

I/Q Demodulators

Part Number	Description	RF Frequency (GHz)	Gain Error (dB)	Phase Error (°)	Noise Figure (dB)	Input P1dB (dBm)	Input IP3 (dBm)	Baseband Bandwidth @ 3 dB (MHz)	V _s (V)	I _{sv} (mA)	Package (mm)	ECCN Code	Ordering Part Number
LT5546	Low power, 2× LO, 55 dB VGA	0.04 to 0.5	0.14	0.6	7.8	-10	-1	17	1.8 to 5.25	24	4 × 4 QFN	EAR99	LT5546EUF#TRPBF
LT5506	Low power, 2× LO, 55 dB VGA	0.04 to 0.5	0.2	0.6	6.8	-11.5	-0.5	8.8	1.8 to 5.25	26.6	4 × 4 QFN	EAR99	LT5506EUF#TRPBF
LT5517	Low frequency, 2× LO	0.04 to 0.9	0.03	0.7	12.4	10	21	130	5	90	4 × 4 QFN	EAR99	LT5517EUF#TRPBF
AD8348	Broadband, with VGA	0.05 to 1	0.25	0.5	10.75	13	28	125	3, 5	47, 51	TSSOP	5A991.b	AD8348ARUZ
LTC5584	Broadband	0.03 to 1.4	0.01	0.7	10	13.1	28	530	5	200	4 × 4 QFN	EAR99	LTC5584IUF#TRPBF
LT5516	Narrow-band	0.8 to 1.5	0.2	1	12.8	6.6	21.5	260	5	117	4 × 4 QFN	EAR99	LT5516EUF#TRPBF
ADL5387	2× LO, broadband	0.03 to 2	0.05	0.2	12	13	31	240	5	180	4 × 4 LFCSP	5A991.b	ADL5387ACPZ-WP
LT5515	Narrow-band	1.5 to 2.5	0.3	1	16.8	9	20	260	5	125	4 × 4 QFN	EAR99	LT5515EUF#TRPBF
ADL5382	Broadband	0.7 to 2.7	0.05	0.2	15.6	14.4	30.5	370	5	220	4 × 4 LFCSP	5A991.b	ADL5382ACPZ-WP
AD8347	I/Q demodulator and VGA	0.8 to 2.7	0.3	1	11	-2	11.5	65	3, 5	64, 68	4 × 4 LFCSP	5A991.b	AD8347ARUZ
LT5575	Broadband	0.8 to 2.7	0.01	0.4	12.7	11.2	22.6	490	5	132	4 × 4 QFN	EAR99	LT5575EUF#TRPBF
LTC5585	Broadband	0.4 to 4	0.05	0.7	12.7	16	25.7	530	5	200	4 × 4 QFN	EAR99	LTC5585IUF#TRPBF
ADL5380	Broadband	0.4 to 6	0.07	0.2	11.7	11.6	27.8	390	5	245	4 × 4 LFCSP	5A991.b	ADL5380ACPZ-WP
LTC5586	Ultrawideband, with VGA, digital IR cal	0.3 to 6	0.06	0.06	19.5	13	30	1000	5	440	5 × 5 QFN	EAR99	LTC5586IUF#TRPBF
New LTC5594	Ultrawideband, with VGA, digital IR cal	0.3 to 9	0.06	1.6	21.2	4	27.8	1000	5	470	5 × 5 QFN	EAR99	LTC5594IUF#TRPBF

I/Q Modulators with Integrated LO

Part Number	Description	RF Frequency (GHz)	PLL Phase Noise @ 10 kHz Offset (dBc/Hz)	PLL Phase Noise @ 1 MHz Offset (dBc/Hz)	LO Spur (dBm)	Sideband Suppression (dBc)	Noise (dBm/Hz)	Output P1dB (dBm)	Output IP3 (dBm)	Baseband Bandwidth @ 3 dB (MHz)	V _s (V)	I _{sv} (mA)	Package (mm)	ECCN Code	Ordering Part Number
ADRF6701	With integrated LO	0.4 to 1.25	-113	-135	-45	-40	-159.7	11.2	31.7	750	5	290	6 × 6 LFCSP	5A991.b	ADRF6701ACPZ-R7
ADRF6750	With integrated LO	0.95 to 1.575	-93	-133	-45	-45	-162	8.5	23	600	5	310	8 × 8 LFCSP	5A991.b	ADRF6750ACPZ-R7
ADRF6755	With integrated LO	0.1 to 2.4	-93	-133	-45	-45	-162	8	21	600	5	380	8 × 8 LFCSP	5A991.b	ADRF6755ACPZ
ADRF6702	With integrated LO	1.2 to 2.4	-110.8	-124.6	-40	-53.9	-159.6	13.6	30.1	750	5	290	6 × 6 LFCSP	5A991.b	ADRF6702ACPZ-R7
ADRF6703	With integrated LO	1.55 to 2.65	-98.8	-129.2	-40	-44	-159.7	13.5	32.7	750	5	290	6 × 6 LFCSP	5A991.b	ADRF6703ACPZ-R7
ADRF6720	With integrated LO	0.7 to 3	-91.5	-136.8	-40	-38	-157	12.7	35.7	1000	3.3	425	6 × 6 LFCSP	5A991.b	ADRF6720ACPZ-R7
ADRF6720-27*	With integrated LO	0.4 to 3	-92.4	-136.8	-44	-40.8	-159.5	10.8	31.1	1000	3.3	425	6 × 6 LFCSP	5A991.b	ADRF6720-27ACPZ-R7
ADRF6704	With integrated LO	2.05 to 3	-92.3	-125.2	-41	-37.7	-158.3	12.1	27.2	750	5	276	6 × 6 LFCSP	5A991.b	ADRF6704ACPZ-R7
HMC1197	With integrated LO	0.1 to 4	-110	-134.5	-40	-45	-160	11	30	600	5, 3.3	320	7 × 7 QFN	5A991.b	HMC1197LP7FE

I/Q Demodulators with Integrated LO

Part Number	Description	RF Frequency (GHz)	PLL Phase Noise @ 10 kHz Offset (dBc/Hz)	PLL Phase Noise @ 1 MHz Offset (dBc/Hz)	Gain Error (dB)	Phase Error (°)	Noise Figure (dB)	Input P1dB (dBm)	Input IP3 (dBm)	Baseband Bandwidth @ 3 dB (MHz)	V _s (V)	I _{sv} (mA)	Package (mm)	ECCN Code	Ordering Part Number
ADRF6806	With frac-N PLL and VCO	0.05 to 0.525	—	—	0.1	0.5	12.2	12.2	28.5	170	3, 5	86, 270	6 × 6 LFCSP	5A991.b	ADRF6806ACPZ-R7
ADRF6850	With frac-N PLL and VCO	0.1 to 1	-98	-136	0.1	0.5	11	12	22.5	300	3	350	8 × 8 LFCSP	5A991.b	ADRF6850BCPZ
ADRF6807	With frac-N PLL and VCO	0.7 to 1.05	-107	-137	0.1	0.5	13.1	12.8	26.7	170	3, 5	86, 227	6 × 6 LFCSP	5A991.b	ADRF6807ACPZ-R7
ADRF6801	With frac-N PLL and VCO	0.75 to 1.15	-88.3	-138.6	0.05	0.3	14.3	12.5	25	275	5	262	6 × 6 LFCSP	5A991.b	ADRF6801ACPZ-R7
ADRF6820	With frac-N PLL and VCO	0.695 to 2.7	-94.7	-141.5	0.1	0.5	20	14.5	37	1400	3.3, 5	83, 310	6 × 6 LFCSP	5A991.b	ADRF6820ACPZ-R7
ADRF6821 New	DPD receiver with frac-N PLL/VCO	0.45 to 2.8	-97	-138	0.12	<0.5	17	2	24	500	3.3	273, 303	8 × 8 LFCSP	5A991.b, EAR99	ADRF6821ACPZ

* = X-Microwave

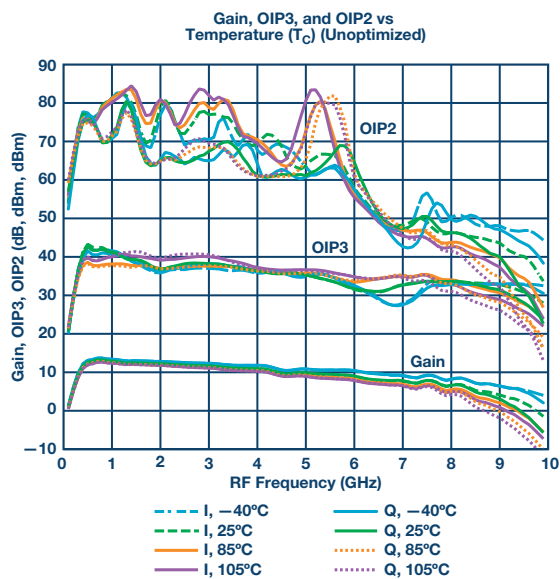
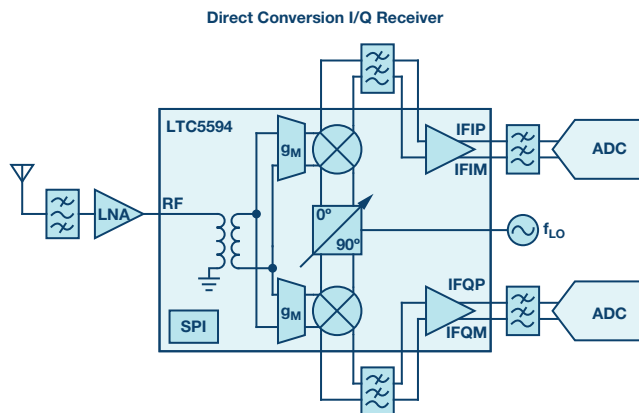
LTC5594: 300 MHz to 9 GHz Ultrawideband Direct Conversion I/Q Demodulator

Key Features

- ▶ >1 GHz I/Q bandwidth
- ▶ 37 dB image rejection, adjustable to >60 dB
- ▶ Ultrawideband matched input 500 MHz to 9 GHz
- ▶ Superb OIP3: 37 dBm at 5.8 GHz
- ▶ On-chip adjustments via serial port
 - Gain with max gain of 11 dB, in 1 dB steps
 - I/Q phase imbalance
 - I/Q gain imbalance
 - I/Q dc offset null
 - LO frequency matching
 - I/Q HD2 and IM2
 - I/Q HD3 and IM3

Applications

- ▶ 5G base station fronthaul and backhaul
- ▶ Military satellites and receivers
- ▶ Microwave point-to-point radios
- ▶ Software-defined radios
- ▶ DPD observation receivers



Integrated Transceivers, Transmitters, and Receivers

Microwave and Millimeter Wave Integrated Transmitters/Receivers

V-Band Transmitters/Receivers

Part Number	Description	Frequency (GHz)	I/Q Bandwidth (GHz)	Max Gain (dB)	RF Control Range (dB)	IF Control Range (dB)	IP3 (dBm)	Image/Sideband Rejection (dBC)	Noise Figure (dB)	P1dB (dBm)	Power Dissipation (W)	Package (mm)	ECCN Code	Ordering Part Number
HMC6300	60 GHz integrated transmitter	57 to 64	1.8	35	22	14	20 (OIP3)	40	—	12 (single end) 15 (balanced)	0.88 (single end) 1.0 (balanced)	BGA	5A991.h	HMC6300BG46
HMC6301	60 GHz integrated receiver	57 to 64	1.8	67	6	12 (analog) 15 (digital)	-9 (IIP3)	35	8	30	0.82 (single end) 0.57 (external LO)	BGA	5A991.h	HMC6301BG46

E-Band Transmitters/Receivers

Part Number	Description	RF (GHz)	LO (GHz)	IF (GHz)	Conversion Gain (dB)	IP3 (dBm)	Image/Sideband Rejection (dBC)	Noise Figure (dB)	LO Drive Nominal (dBm)	V _{SUPPLY} (V)	I _{SUPPLY} (mA)	Package (mm)	ECCN Code	Ordering Part Number
HMC7586	E-band I/Q receiver	71 to 76	11.83 to 14.33	0 to 10	12.5	-1 (IIP3)	28	5	2	4, 1.5, 3	175, 80, 50	Die	5A991.b	HMC7586
HMC8326	E-band I/Q downconverter SiP	71 to 76	11.5 to 13	0 to 2	12	1 (IIP3)	30	6	4	4, 1.5, 3	175, 80, 50	SiP	5A991.b, EAR99	HMC8326LG
HMC8118	E-band I/Q upconverter	71 to 76	11.83 to 14.33	0 to 10	11	—	22	—	2	4, 1.5	175, 80	Die	5A991.b	HMC8118
HMC7584	E-band I/Q upconverter SiP	71 to 76	11.8 to 17	0 to 2	27.5	31	20	4	—	+4, +4, +4, -1	—	SiP	5A991.b, EAR99	HMC7584LG
HMC7587	E-band I/Q Receiver	81 to 86	11.83 to 14.33	0 to 10	10	-2 (IIP3)	30	6	2	4, 1.5, 3	175, 80, 50	Die	5A991.b	HMC7587
HMC8327	E-band I/Q downconverter SiP	81 to 86	13.2 to 14.6	0 to 2	2	2 (IIP3)	30	6	4	4, 1.5, 3	175, 80, 50	SiP	5A991.b, EAR99	HMC8327LG
HMC8119	E-band I/Q upconverter	81 to 86	11.83 to 14.33	0 to 10	10	—	22	—	2	4, 1.5	175, 80	Die	5A991.b	HMC8119
HMC7585	E-band I/Q upconverter SiP	81 to 86	13.2 to 14.6	0 to 2	2	2	30	6	—	4, 1.5, 3	—	SiP	5A991.b, EAR99	HMC7585LG

Intermediate Frequency Subsystems

Part Number	Description	RF (MHz)	IF (MHz)	Conversion Gain (dB)	RF VGA Dynamic Range (dB)	IF VGA Dynamic Range (dB)	Output IP3 (dBm)	Image Rejection (dBC)	Noise Figure (dB)	V _{SUPPLY} (V)	I _{SUPPLY} (mA)	Package (mm)	ECCN Code	Ordering Part Number
HMC8100	Intermediate frequency receiver	800 to 4000	80 to 200	85	47	49	18	36	5	3.3	600	6 × 6 LFCSP	5A991.b	HMC8100LP6JE
HMC8200	Intermediate frequency transmitter	800 to 4000	200 to 700	34	35	—	31	15	6	3.3	540	5 × 5 LFCSP	5A991.b	HMC8200LP5ME

24 GHz ADAS Radar Solutions

Part Number	Description	Function	Frequency (GHz)	Figure of Merit (dBc/Hz)	PFD _{MAX} (MHz)	V _S (V)	I _{SV} (mA)	Package (mm)	ECCN Code	Ordering Part Number
ADF4158	6 GHz, frac-N FMCW ramping PLL	Ramp generator	0.5 to 6.1	-216	32	3	23	4 × 4 LFCSP	5A991.h	ADF4158CCPZ
ADF4159*	13 GHz, frac-N FMCW ramping PLL	Ramp generator	0.5 to 13	-224	110	3	33	4 × 4 LFCSP	5A991.h	ADF4159CCPZ

Part Number	Description	Function	RF (GHz)	Signal Bandwidth (MHz)	Phase Noise @ 10 MHz Offset (dBc/Hz)	Output Power (dBm)	Input	ADC Resolution	V _{TUNE} (V)	Power (W)	Package (mm)	ECCN Code	Ordering Part Number
ADF5901	ISM band, 2-ch FMCW transmitter	Tx MMIC	24 to 24.25	250	-128	2 to 10	Single ended	8-bit	1 to 2.8	0.002	5 × 5 LFCSP	EAR99	ADF5901WCCPZ
ADF5902 Upcoming	ISM band, 2-ch FMCW transmitter with integrated FMCW PLL	Tx MMIC	24 to 24.25	250	-128	2 to 10	Single ended	8-bit	1 to 2.8	0.002	5 × 5 LFCSP	EAR99	ADF5902ACPZ

* = X-Microwave

24 GHz ADAS Radar Solution (Continued)

Part Number	Description	Function	RF (GHz)	Signal Bandwidth (MHz)	Rx Channel Gain (dB)	P1dB (dBm)	RF/IF Isolation (dB)	Noise Figure (dB)	Package (mm)	ECCN Code	Ordering Part Number
ADF5904	ISM band, 4-ch receiver	Rx MMIC	24 to 24.25	250	22	-10	30	10	5 x 5 LFCSP	EAR99	ADF5904ACPZ

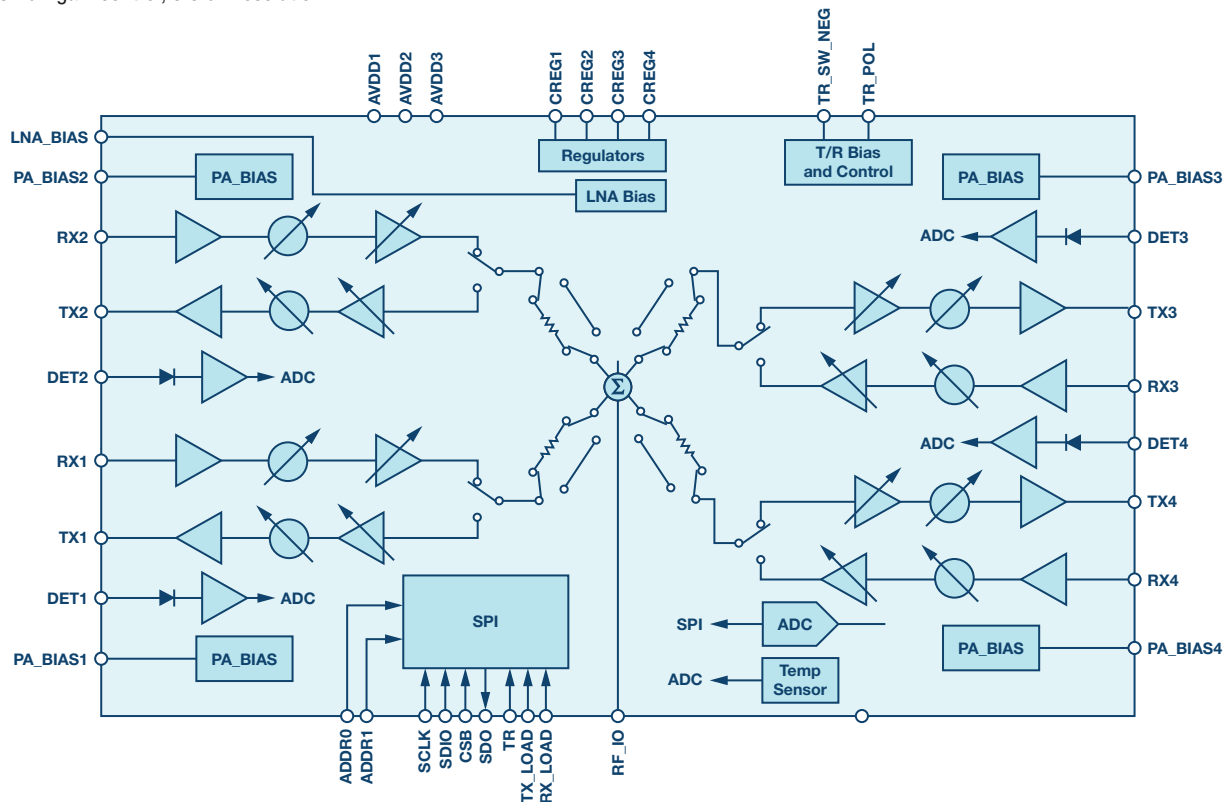
Part Number	Description	Function	Sample Rate (MSPS)	Gain (dB)	Low-Pass Filter BW (MHz)	SNR (dB)	SFDR (dB)	Noise (nV/√Hz)	Antialiasing Filter	Power (W)	Package (mm)	ECCN Code	Ordering Part Number
AD8283	6-ch, LNA/PGA/AAF with ADC	AFE	72	16 to 34 (programmable)	1 to 12 (programmable)	67	68	3.5	Included	0.17	10 x 10 LFCSP	—	AD8283WBCPZ
AD8284	6-ch, LNA/PGA/AAF with ADC	AFE	60	17 to 35 (programmable)	9 to 15 (programmable)	67	68	3.5	Included	0.345	10 x 10 TQFP	—	AD8284WCSVZ
ADAR7251	4-ch, 16-bit, continuous time data acquisition ADC	AFE	0.3 to 1.2	0 to 45 (programmable)	—	—	—	2.4	Not required	0.4	7 x 7 LFCSP	—	ADAR7251WBCSZ

Part Number	Description	Function	Operating Frequency (MHz)	Core	On-Chip L1 SRAM (kB)	On-Chip L2 SRAM (MB)	On-Chip L2 ROM (kB)	On-Chip RAM (MB)	On-Chip ROM (MB)	Power (W)	Package (mm)	ECCN Code	Ordering Part Number
ADSP-BF70x	Low power ADSP-BF70x series of Blackfin+® embedded DSP processors with 512 kB L2 SRAM and DDR2/LPDDR interface	DSP	200 to 400	16-bit 32-bit	136	256	512	—	—	<1	12 x 12 LFCSP 12 x 12 BGA	—	—
ADSP-2147x	ADSP-2147x SHARC® DSP	DSP	200 to 300	32-bit 40-bit	—	—	—	2 to 5	4	—	LFCSP BGA	—	ADSP-2147xKCPZ-1A

ADAR1000 (Upcoming): 4-Channel X-/Ku-Band Beamformer

Key Features

- ▶ 8 GHz to 16 GHz frequency range
- ▶ Half-duplex to transmit and receive
- ▶ Single pin transmit/receive control
- ▶ 360° phase control, <2.8° phase resolution
- ▶ 31 dB gain control, 0.5 dB resolution
- ▶ Single-ended RF pins
- ▶ Bias and control for external transmit/receive modules
- ▶ Memory for prestored beam positions
- ▶ ± 2 dB power detector
- ▶ ± 10° temperature sensor
- ▶ Auxiliary 8-bit ADC for power detectors and temperature sensor
- ▶ Supports low power modes
- ▶ 4-wire SPI interface



RadioVerse Integrated Transceivers

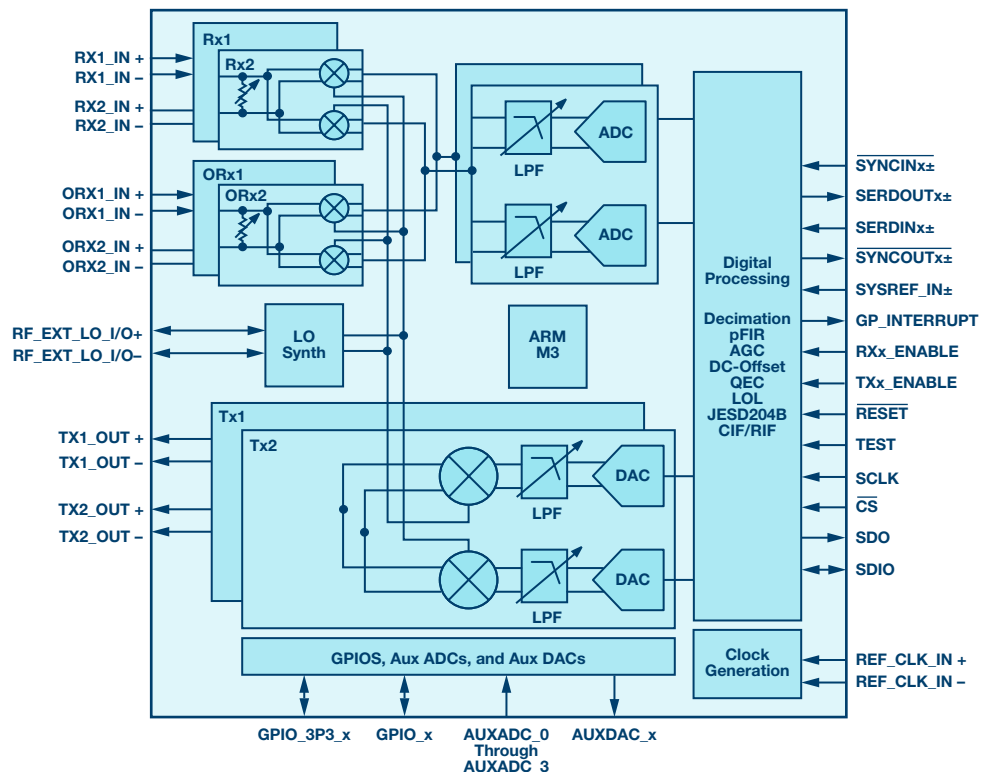
Part Number	Product Features	Functionality	RF Tuning Range	Bandwidth	Rx Image Rejection* (dB)	Rx NF/IIP3**	Tx OIP3* (dBm)	EVM (dB)	Package Size	DPD Engine
AD9361	General-purpose SDR; low power; JESD207 CMOS/LVDS	2 Rx, 2 Tx	70 MHz to 6 GHz	56 MHz	50	3 dB/-14 dBm	19	-40	10 mm × 10 mm	—
AD9364	General-purpose SDR; low power; JESD207 CMOS/LVDS	1 Rx, 1 Tx	70 MHz to 6 GHz	56 MHz	50	3 dB/-14 dBm	19	-40	10 mm × 10 mm	—
AD9363	General-purpose SDR; low power; CMOS/LVDS digital	2 Rx, 2 Tx	325 MHz to 3.8 GHz	20 MHz	50	3 dB/-14 dBm	19	-34	10 mm × 10 mm	—
AD9371	Improved dynamic range; scalable MIMO; 6 Gbps JESD204B	2 Tx, 2 Rx, ORx, and SnRx	300 MHz to 6 GHz	100 MHz Rx, 250 MHz Tx, ORx	75	13.5 dB/+22 dBm	27	-40	12 mm × 12 mm	—
AD9375	Improved dynamic range; low power DPD; scalable MIMO; 6 Gbps JESD204B	2 Tx, 2 Rx, ORx, and SnRx	300 MHz to 6 GHz	100 MHz Rx, 250 MHz Tx, ORx	75	13.5 dB/+22 dBm	27	-40	12 mm × 12 mm	Linearization bandwidth up to 40 MHz
ADRV9009 New	Multichip sync for massive MIMO; integrated AGC, dc offset, QEC correction; digital filters; 12 Gbps JESD204B	2 Tx, 2 Rx, (TDD)	100 MHz to 6 GHz	200 MHz Rx, 450 MHz Tx, ORx	75	12 dB/+15 dBm	27	-43	12 mm × 12 mm	—
ADRV9008-1/ ADRV9008-2 New	Multichip sync for massive MIMO; integrated AGC, dc offset, QEC correction; digital filters; 12 Gbps JESD204B	2 Rx, 2 Tx, 1 ORx (FDD)	100 MHz to 6 GHz	200 MHz Rx, 450 MHz Tx, ORx	75	12 dB/+15 dBm	27	-43	12 mm × 12 mm	—

ADRV9009: Widest Bandwidth, Highest Performance Integrated Transceiver Supports Massively Parallel MIMO

Key Features

- ▶ Operating frequency: 100 MHz to 6 GHz
- ▶ Functionality: dual transmitters, dual receivers, and observation receivers with shared inputs
- ▶ Supports multichip LO phase synchronization
- ▶ Optimized for TDD operation
- ▶ Bandwidth: 200 MHz receiver, 450 MHz transmitter, and observation receiver
- ▶ Integrated AGC, dc offset, and quadrature error correction
- ▶ Integrated digital filtering
- ▶ Interface: 12 Gbps JESD204B
- ▶ Power consumption: 4.6 W*
- ▶ Package: 12 mm × 12 mm BGA
- ▶ Single-chip TDD solution replaces over 20 discrete radio components, reducing complexity, SWaP, and costs
- ▶ Multichip sync capability simplifies digital beamforming for massive MIMO and phased array designs
- ▶ Fast time to market development

*For 50% transmit/receive duty cycle, Orx on, 200 MHz/450 MHz bandwidth, 0 dB attenuation



PLL/Synthesizers

Integer-N PLLs

Part Number	Description	Frequency (GHz)	Figure of Merit (dBc/Hz)	PFD _{MAX} (MHz)	V _S (V)	I _{SY} (mA)	Package (mm)	ECCN Code	Ordering Part Number
ADF4001	Integer-N	0.01 to 0.2	-217	—	2.7 to 5.5	4.5	4 × 4 LFCSP	5A991.b	ADF4001BCPZ-RL7
ADF4002	Integer-N	0.005 to 0.4	-222	104	3	5	4 × 4 LFCSP	5A991.b	ADF4002BCPZ-RL7
HMC1031	Integer-N	0 to 0.5	-208	140	3	2	MSOP	EAR99	HMC1031MS8E
ADF4110	Integer-N	0.05 to 0.55	-213	—	2.7 to 5.5	4.5	4 × 4 LFCSP	5A991.b	ADF4110BCPZ-RL7
ADF4116	Integer-N	0.08 to 0.55	-211	55	2.7 to 5.5	4.5	TSSOP	5A991.b	ADF4116BRUZ-REEL7
ADF4111	Integer-N	0.08 to 1.2	-213	—	2.7 to 5.5	4.5	TSSOP	5A991.b	ADF4111BRUZ-RL7
ADF4117	Integer-N	0.1 to 1.2	-213	55	2.7 to 5.5	4.5	TSSOP	5A991.b	ADF4117BRUZ
ADF4212L	Integer-N	0.2 to 2.4	-215	75	3	7.5	TSSOP	5A991.b	ADF4212LBRUZ
HMC440	Integer-N	0.01 to 2.8	-233	1300	5	250	QSOP	3A001.a.11.b	HMC440QS16GE
HMC4069	Integer-N	0.01 to 2.9	-233	1300	5	295	4 × 4 LFCSP	3A001.a.11.b	HMC4069LP4E
ADF4118	Integer-N	0.1 to 3	-216	55	2.7 to 5.5	6.5	TSSOP	5A991.b	ADF4118YRUZ-RL7
ADF4113	Integer-N	0.2 to 3.7	-217	—	2.7 to 5.5	8.5	4 × 4 LFCSP	5A991.b	ADF4113BCPZ-RL7
ADF4113HV	Integer-N	0.2 to 3.7	-212	5	2.7 to 5.5	11	4 × 4 LFCSP	5A991.b	ADF4113HVBCPZ-RL7
LTC6945	Integer-N	0.35 to 6	-226	100	3.3	110	4 × 5 LFCSP	EAR99	LTC6945IUFD#TRPBF
ADF4106	Integer-N	0.5 to 6	-223	104	3	13	4 × 4 LFCSP	5A991.b	ADF4106BCPZ-R7
HMC698	Integer-N	0.08 to 7	-233	1300	5	310	5 × 5 LFCSP	3A001.a.11.b	HMC698LP5E
HMC699	Integer-N	0.16 to 7	-233	1300	5	310	5 × 5 LFCSP	3A001.a.11.b	HMC699LP5E
ADF4107	Integer-N	1 to 7	-223	104	3	17	4 × 4 LFCSP	5A991.b	ADF4107BCPZ-REEL7
ADF4007	Integer-N	1 to 7.5	-219	120	3	15	4 × 4 LFCSP	5A991.b	ADF4007BCPZ-RL7
ADF4108	Integer-N	1 to 8	-223	104	3	15	4 × 4 LFCSP	5A991.b	ADF4108BCPZ-RL7
ADF41020	Integer-N	4 to 18	-221	100	3	30	4 × 4 LFCSP	5A991.b	ADF41020BCPZ-RL7

Fractional-N/Integer-N PLLs

Part Number	Description	Frequency (GHz)	Figure of Merit (dBc/Hz)	PFD _{MAX} (MHz)	V _S (V)	I _{SY} (mA)	Package (mm)	ECCN Code	Ordering Part Number
ADF4150HV	Frac-N/int-N PLL, 30 V charge pump	0.3 to 3	-213	26	3.3	50	5 × 5 LFCSP	5A991.b	ADF4150HVBCPZ-RL7
ADF4252	Frac-N/int-N PLLs	0.25 to 3	-214	RF_PFD 30 IF_PFD 55	3	13	4 × 4 LFCSP	5A991.b	ADF4252BCPZ-R7
ADF4193	Frac-N/int-N PLLs	0.4 to 3.5	-216	30	3	68	5 × 5 LFCSP	5A991.h	ADF4193BCPZ-RL7
ADF4151	Int-N and frac-N	0.5 to 3.5	-221	32	3.3	42	5 × 5 LFCSP	5A991.b	ADF4151BCPZ-RL7
ADF4153A	Frac-N/int-N PLLs	0.5 to 4	-223	32	3	20	TSSOP	5A991.b	ADF4153ABRUZ
ADF4153A	Frac-N/int-N PLLs	0.5 to 4	-223	32	3	20	4 × 4 LFCSP	5A991.b	ADF4153ABCPZ-RL7
ADF4153	Frac-N/int-N PLLs	0.5 to 4	-220	32	3	20	TSSOP	5A991.b	ADF4153BRUZ-RL7
ADF4153	Frac-N/int-N PLLs	0.5 to 4	-220	32	3	20	4 × 4 LFCSP	5A991.b	ADF4153BCPZ-RL7
ADF4154	Frac-N/int-N PLLs	0.5 to 4	-220	32	3	20	TSSOP	5A991.b	ADF4154BRUZ-RL7
ADF4154	Frac-N/int-N PLLs	0.5 to 4	-220	32	3	20	4 × 4 LFCSP	5A991.b	ADF4154BCPZ-RL7
ADF4150	Frac-N/int-N PLLs	0.031 to 4.4	-223	32	3.3	50	4 × 4 LFCSP	5A991.b	ADF4150BCPZ-RL7
ADF4152HV New	Frac-N/int-N PLL, 30 V charge pump	0.5 to 5	-213	26	3.3	50	5 × 5 LFCSP	5A991.b	ADF4152HVBCPZ-RL7
LTC6947	Frac-N/int-N PLLs	0.35 to 6	-226	76/100	3.3	110	4 × 5 LFCSP	EAR99	LTC6947IUFD#TRPBF
ADF4196	Int-N and frac-N	0.4 to 6	-216	25	3	68	5 × 5 LFCSP	5A991.b	ADF4196BCPZ-RL7
ADF4157	Frac-N/int-N PLLs	0.5 to 6	-211	32	3	23	TSSOP	5A991.b	ADF4157BRUZ-RL7
ADF4157	Frac-N/int-N PLLs	0.5 to 6	-211	32	3	23	4 × 4 LFCSP	5A991.b	ADF4157BCPZ-RL7
ADF4158	Int-N and frac-N	0.5 to 6.1	-216	32	3	23	4 × 4 LFCSP	5A991.b	ADF4158CCPZ-RL7
ADF4156	Frac-N	0.5 to 6.2	-220	32	3	26	TSSOP	5A991.b	ADF4156BRUZ-RL7
ADF4156	Frac-N	0.5 to 6.2	-220	32	3	26	4 × 4 LFCSP	5A991.b	ADF4156BCPZ-RL7
HMC704	Frac-N	~0 to 8	-230	100	3.3, 5	52, 6	4 × 4 LFCSP	EAR99	HMC704LP4E
HMC703	Frac-N with sweeper	~0 to 8	-230	100	3.3, 5	54, 7	4 × 4 LFCSP	EAR99	HMC703LP4E
HMC701	Frac-N with sweeper	~0 to 8	-221	70	3.3, 5	90, 37	6 × 6 LFCSP	EAR99	HMC701LP6CE
HMC700	Frac-N with sweeper	~0 to 8	-221	70	3.3, 5	90, 5.5	4 × 4 LFCSP	EAR99	HMC700LP4E
ADF4155	Int-N and frac-N	0.5 to 8	-223	125	3.3	38	4 × 4 LFCSP	5A991.b	ADF4155BCPZ-RL7
ADF4159*	Swept frequency int-N and frac-N	0.5 to 13	-224	110	3	33	4 × 4 LFCSP	5A991.b	ADF4159CCPZ-RL7
ADF4169*	Frac-N/int-N PLLs	0.5 to 13.5	-224	130	3.3	65	4 × 4 LFCSP	5A991.b	ADF4169CCPZ-RL7
HMC702	Frac-N with sweeper	~0 to 14	-221	70	3.3, 5	135, 26	6 × 6 LFCSP	EAR99	HMC702LP6CE
ADF41513 Upcoming	Frac-N/int-N	1 to 26.5	-234	250	3.3	90	4 × 4 LFCSP	EAR99	ADF41513BCPZ

Additional PLLs can be found in the Clock Generation and Distribution section on page 56.

Integer-N PLLs with Integrated VCO

Part Number	Description	Frequency (GHz)	Open-Loop VCO Phase Noise @ 100 kHz (dBc/Hz)	@ F _{OUT} (GHz)	Divider	VCO Tuning Inductor	Figure of Merit (dBc/Hz)	PFD _{MAX} (MHz)	V _S (V)	I _{SV} (mA)	Package (mm)	ECCN Code	Ordering Part Number
ADF4360-9*	Int-N PLLs with VCO	~0 to 0.2	-120	0.16	/2 to /62	Ext L sets frequency range	-218	8	3.3	20 to 40	4 × 4 LFCSP	5A991.b	ADF4360-9BCPZRL7
ADF4360-8*	Int-N PLLs with VCO	0.065 to 0.4	-120	0.16	No	Ext L sets frequency range	-216	8	3.3	20 to 40	4 × 4 LFCSP	5A991.b	ADF4360-8BCPZRL7
ADF4360-6*	Int-N PLLs with VCO	1.05 to 1.25	-110	1.15	/1, /2	Internal	-216	8	3.3	25 to 45	4 × 4 LFCSP	5A991.b	ADF4360-6BCPZRL7
ADF4360-5*	Int-N PLLs with VCO	1.2 to 1.4	-110	1.3	/1, /2	Internal	-216	8	3.3	25 to 45	4 × 4 LFCSP	5A991.b	ADF4360-5BCPZRL7
ADF4360-4*	Int-N PLLs with VCO	1.45 to 1.75	-110	1.6	/1, /2	Internal	-216	8	3.3	25 to 50	4 × 4 LFCSP	5A991.b	ADF4360-4BCPZRL7
ADF4360-7*	Int-N PLLs with VCO	0.35 to 1.8	-116	0.5	/1, /2	Ext L sets frequency range	-216	8	3.3	25 to 45	4 × 4 LFCSP	5A991.b	ADF4360-7BCPZRL7
ADF4360-3*	Int-N PLLs with VCO	1.6 to 1.95	-110	1.8	/1, /2	Internal	-216	8	3.3	25 to 50	4 × 4 LFCSP	5A991.b	ADF4360-3BCPZRL7
ADF4360-2*	Int-N PLLs with VCO	1.85 to 2.17	-110	2	/1, /2	Internal	-216	8	3.3	25 to 50	4 × 4 LFCSP	5A991.b	ADF4360-2BCPZRL7
ADF4360-1*	Int-N PLLs with VCO	2.05 to 2.45	-110	2.25	/1, /2	Internal	-216	8	3.3	25 to 50	4 × 4 LFCSP	5A991.b	ADF4360-1BCPZRL7
ADF4360-0*	Int-N PLLs with VCO	2.4 to 2.75	-110	2.6	/1, /2	Internal	-216	8	3.3	25 to 50	4 × 4 LFCSP	5A991.b	ADF4360-0BCPZRL7
LTC6946-1	Int-N PLLs with VCO	0.373 to 3.74	-110	3	/1 to /6	Internal	-226	100	3.3/5	80/40	4 × 5 LFCSP	EAR99	LTC6946IUFD-1#TRPBF
LTC6946-2	Int-N PLLs with VCO	0.513 to 4.91	-106	4	/1 to /6	Internal	-226	100	3.3/5	80/40	4 × 5 LFCSP	EAR99	LTC6946IUFD-2#TRPBF
LTC6946-3	Int-N PLLs with VCO	0.640 to 5.79	-103	5	/1 to /6	Internal	-226	100	3.3/5	80/40	4 × 5 LFCSP	EAR99	LTC6946IUFD-3#TRPBF
LTC6946-4	Int-N PLLs with VCO	0.700 to 6.39	-101	6	/1 to /6	Internal	-226	100	3.3/5	80/40	4 × 5 LFCSP	EAR99	LTC6946IUFD-4#TRPBF

Narrow-Band RF Fractional-N/Integer-N PLLs with VCO

Part Number	Description	Frequency (GHz)	Open-Loop VCO Phase Noise @ 100 kHz (dBc/Hz)	Open-Loop VCO Phase Noise @ 1 MHz (dBc/Hz)	P _{OUT} (dBm)	Figure of Merit (dBc/Hz)	PFD _{MAX} Frac-N Mode (MHz)	V _S (V)	I _{SV} (mA)	Package (mm)	ECCN Code	Ordering Part Number
HMC824	Frac-N PLL	0.78 to 0.87	-123	-148	14	-229	FVCO/20	3.3/5	51/97	6 × 6 LFCSP	EAR99	HMC824LP6CE
HMC822	Frac-N PLL, triband VCO	0.665 to 0.825	-124	-148	+11	-229	FVCO/20	3.3/5	51/97	6 × 6 LFCSP	EAR99	HMC822LP6CE
		1.33 to 1.65	-118	-142	+6.5							
		2.66 to 3.3	-112	-136	+4							
HMC838	Frac-N PLL, triband VCO	0.795 to 0.945	-123	-148	+10	-229	FVCO/20	3.3/5	51/77	6 × 6 LFCSP	EAR99	HMC838LP6CE
		1.59 to 1.89	-118	-118	+7.5							
		3.18 to 3.78	-112	-112	-4							
HMC821	Frac-N PLL, triband VCO	0.86 to 1.04	-122	-147	+10	-227	FVCO/20	3.3/5	51/97	6 × 6 LFCSP	EAR99	HMC821LP6CE
		1.72 to 2.08	-116	-141	+6.5							
		3.44 to 4.16	-110	-135	-4							
HMC837	Frac-N PLL, triband VCO	1.025 to 1.15	-120	-147	+12	-230	FVCO/20	3.3/5	47/94	6 × 6 LFCSP	EAR99	HMC837LP6CE
		2.05 to 2.3	-114	-141	+10.5							
		4.1 to 4.6	-108	-135	-0.5							
HMC839	Frac-N PLL, triband VCO	1.05 to 1.205	-121	-146	+10	-229	FVCO/20	3.3/5	51/78	6 × 6 LFCSP	EAR99	HMC839LP6CE
		2.1 to 2.41	-116	-140	+7.5							
		4.2 to 4.82	-109	-135	-4							
HMC820	Frac-N PLL, triband VCO	1.095 to 1.275	-122	-147	+10	-227	FVCO/20	3.3/5	51/97	6 × 6 LFCSP	EAR99	HMC820LP6CE
		2.19 to 2.55	-116	-141	+6.5							
		4.38 to 5.1	-110	-135	-4							
HMC840	Frac-N PLL, triband VCO	1.31 to 1.415	-117	-145	+10	-230	FVCO/20	3.3/5	47/97	6 × 6 LFCSP	EAR99	HMC840LP6CE
HMC826	Frac-N PLL, triband VCO	2.62 to 2.83	-111	-139	+9	-229	FVCO/20	3.3/5	51/97	6 × 6 LFCSP	EAR99	HMC826LP6CE
HMC828	Frac-N PLL	0.99 to 1.105	-121	-146	11	-229	FVCO/20	3.3/5	51/97	6 × 6 LFCSP	EAR99	HMC828LP6CE
HMC828	Frac-N PLL	1.285 to 1.415	-118	-143	10	-229	FVCO/20	3.3/5	51/97	6 × 6 LFCSP	EAR99	HMC828LP6CE
HMC831	Frac-N PLL	1.815 to 2.01	-118	-143	7.5	-229	FVCO/20	3.3/5	51/97	6 × 6 LFCSP	EAR99	HMC831LP6CE
HMC836	Frac-N PLL	3.365 to 3.705	-111	-136	0	-227	FVCO/20	3.3/5	51/97	6 × 6 LFCSP	EAR99	HMC836LP6CE

Additional PLLs can be found in the Clock Generation and Distribution section on page 56.

Narrow-Band Fractional-N/Integer-N PLLs with Integrated VCO

Part Number	Description	Frequency (GHz)	Open-Loop VCO Phase Noise @ 1 MHz (dBc/Hz)	P _{OUT} (dBm)	Figure of Merit (dBc/Hz)	PFD _{MAX} Frac-N Mode (MHz)	V _S (V)	I _{SY} (mA)	Package (mm)	ECCN Code	Ordering Part Number
HMC764	Frac-N/int-N PLL with VCO	7.3 to 8.2	-140	15	-226	70	3.3/5	90/245	6 × 6 LFCSP	EAR99	HMC764LP6CE
HMC765	Frac-N/int-N PLL with VCO	7.8 to 8.8	-140	13	-226	70	3.3/5	90/245	6 × 6 LFCSP	EAR99	HMC765LP6CE
HMC767	Frac-N/int-N PLL with VCO	8.45 to 9.55	-138	12	-230	100	3.3/5	54/257	6 × 6 LFCSP	EAR99	HMC767LP6CE
HMC769	Frac-N/int-N PLL with VCO	9.05 to 10.15	-140	12	-230	100	3.3/5	54/272	6 × 6 LFCSP	EAR99	HMC769LP6CE
HMC778	Frac-N/int-N PLL with VCO	9.6 to 10.8	-140	9	-230	100	3.3/5	54/272	6 × 6 LFCSP	EAR99	HMC778LP6CE
HMC783	Frac-N/int-N PLL with VCO	11.5 to 12.5	-134	10	-226	70	3.3/5	90/145	6 × 6 LFCSP	EAR99	HMC783LP6CE
HMC807	Frac-N/int-N PLL with VCO	12.4 to 13.4	-132	8	-226	70	3.3/5	90/205	6 × 6 LFCSP	EAR99	HMC807LP6CE

Wideband Fractional-N/Integer-N PLLs with Integrated VCO

Part Number	Description	Frequency (GHz)	Open-Loop VCO Phase Noise @ 100 kHz (dBc/Hz)	Open-Loop VCO Phase Noise @ 1 MHz (dBc/Hz)	@ F _{OUT} (GHz)	Figure of Merit (dBc/Hz)	PFD _{MAX} Frac-N Mode (MHz)	V _S (V)	I _{SY} (mA)	Package (mm)	ECCN Code	Ordering Part Number
HMC829	Wideband frac-N/int-N PLL and VCO	0.045 to 1.05 1.4 to 2.1 2.8 to 4.2	-108	-134	4	-227	100	3.3/5	52/185	6 × 6 LFCSP	EAR99	HMC829LP6GE
HMC834	Wideband frac-N/int-N PLL and VCO	0.045 to 1.05 1.4 to 2.1 2.8 to 4.2 5.6 to 8.4	-108	-134	4	-227	100	3.3/5	52/185	6 × 6 LFCSP	EAR99	HMC834LP6GE
HMC832	Wideband frac-N/int-N PLL and VCO	0.025 to 3	-116	-139	2	-226	100	3.3	219	6 × 6 LFCSP	5A991.b	HMC832LP6GE
HMC830	Wideband frac-N/int-N PLL and VCO	0.025 to 3	-116	-141	2	-227	100	3.3/5	52/185	6 × 6 LFCSP	5A991.b	HMC830LP6GE
LTC6948-1	Wideband frac-N/int-N PLL and VCO	0.373 to 3.74	-110	-130	3	-225	76	3.3/5	90/40	4 × 5 LFCSP	EAR99	LTC6948IUFD-1#TRPBF
HMC835*	Wideband frac-N/int-N PLL and VCO	0.033 to 4.1	-108	-134	4	-227	100	3.3/5	48/220	6 × 6 LFCSP	5A991.b	HMC835LP6GE
ADF4355-2*	Wideband frac-N/int-N PLL and VCO	0.055 to 4.4	-120	-142	2.2	-223	125	3.3/5	110/80	5 × 5 LFCSP	5A991.g	ADF4355-2BCPZ
ADF4351	Wideband frac-N/int-N PLL and VCO	0.035 to 4.4	-114	-134	2.2	-221	32	3.3	112 to 148	5 × 5 LFCSP	5A991.b	ADF4351BCPZ
ADF4350	Wideband frac-N/int-N PLL and VCO	0.1375 to 4.4	-114	-134	2.2	-220	32	3.3	112 to 136	5 × 5 LFCSP	5A991.b	ADF4350BCPZ
LTC6948-2	Wideband frac-N/int-N PLL and VCO	0.513 to 4.91	-105	-128	4	-225	76	3.3/5	90/40	4 × 5 LFCSP	EAR99	LTC6948IUFD-2#TRPBF
LTC6948-3	Wideband frac-N/int-N PLL and VCO	0.640 to 5.79	-103	-125	5	-225	76	3.3/5	90/40	4 × 5 LFCSP	EAR99	LTC6948IUFD-3#TRPBF
HMC833	Wideband frac-N/int-N PLL and VCO	0.025 to 6	-116	-141	2	-227	100	3.3/5	52/185	6 × 6 LFCSP	EAR99	HMC833LP6GE
LTC6948-4	Wideband frac-N/int-N PLL and VCO	0.700 to 6.39	-100	-122	6	-225	76	3.3/5	90/40	4 × 5 LFCSP	EAR99	LTC6948IUFD-4#TRPBF
ADF4355-3*	Wideband frac-N/int-N PLL and VCO	5.156 to 6.6	-118	-140	2.2	-223	125	3.3	146	5 × 5 LFCSP	5A991.b	ADF4355-3BCPZ
ADF4355*	Wideband frac-N/int-N PLL and VCO	0.055 to 6.8	-116	-138	2.2	-223	125	3.3/5	110/80	5 × 5 LFCSP	5A991.b	ADF4355BCPZ
ADF4356* New	Wideband frac-N/int-N PLL and VCO	0.053 to 6.8	-115	-137	3.4	-227	125	3.3/5	110/80	5 × 5 LFCSP	5A991.b	ADF4356BCPZ
ADF5355*	Wideband frac-N/int-N PLL and VCO	0.053 to 13.6	-107	-129	10	-221	125	3.3/5	110/80	5 × 5 LFCSP	5A991.b	ADF5355BCPZ
ADF5356* New	Wideband frac-N/int-N PLL and VCO	0.053 to 13.6	-107	-129	10	-227	125	3.3/5	110/80	5 × 5 LFCSP	EAR99	ADF5356BCPZ
ADF5610 Upcoming	Wideband frac-N/int-N PLL and VCO	0.055 to 14	-114	-136	10	-229	100	3.3/5	70/110	7 × 7 LGA	EAR99	ADF5610BCCZ

Additional PLLs can be found in the Clock Generation and Distribution section on page 56

Wideband Fractional-N/Integer-N PLLs with Integrated VCO (Continued)

Part Number	Description	Frequency (GHz)	Open-Loop VCO Phase Noise @ 100 kHz (dBc/Hz)	Open-Loop VCO Phase Noise @ 1 MHz (dBc/Hz)	@ F _{OUT} (GHz)	Figure of Merit (dBc/Hz)	PFD _{MAX} Frac-N Mode (MHz)	V _S (V)	I _{SY} (mA)	Package (mm)	ECCN Code	Ordering Part Number
ADF4372 <i>Upcoming</i>	Wideband frac-N/int-N PLL and VCO	0.062 to 16.0	-111	-134	8	-234	155	3.3/5	70/110	7 × 7 LGA	EAR99	ADF4372BCCZ
ADF4371 <i>Upcoming</i>	Wideband frac-N/int-N PLL and VCO	0.062 to 32.0	-111	-134	8	-234	155	3.3/5	70/110	7 × 7 LGA	EAR99	ADF4371BCCZ

ADF41513: 1 GHz to 26.5 GHz Integer-N/Fractional-N PLL/Synthesizer**Key Features**

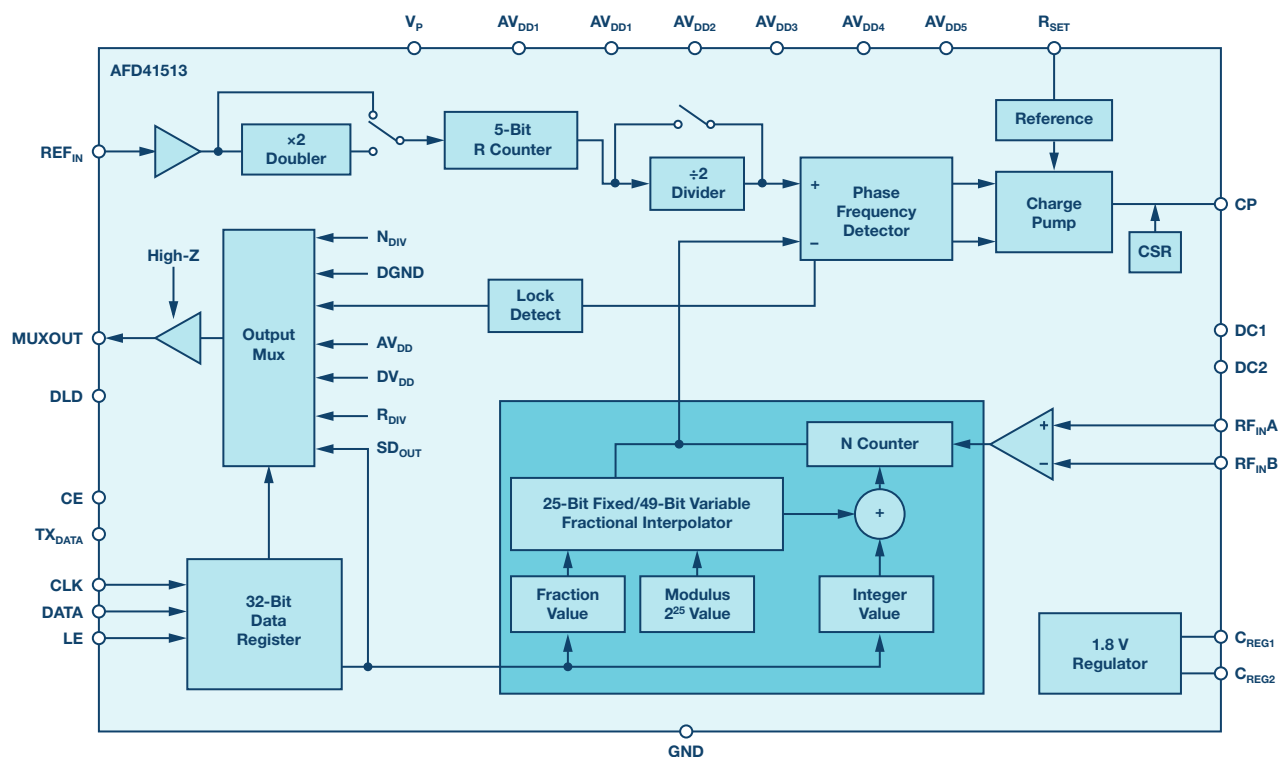
- ▶ 1 GHz to 26.5 GHz bandwidth
- ▶ Ultralow noise PLL: synthesizer noise floor; integer-N: -234 dBc/Hz, fractional-N: -231 dBc/Hz
- ▶ High maximum PFD frequency; integer-N: 250 MHz, fractional-N: 125 MHz
- ▶ 25-bit fixed/49-bit variable fractional modulus
- ▶ Single-ended reference input
- ▶ 3.3 V power supply, 3.3 V charge pump
- ▶ Integrated 1.8 V low drop out regulator
- ▶ Phase resync
- ▶ Programmable charge pump currents: 16× range
- ▶ Digital lock detect
- ▶ 3-wire serial interface with register readback option
- ▶ Hardware and software power-down mode

Sampling

Now

Release

October 2018



Additional PLLs can be found in the Clock Generation and Distribution section on page 56.

ADF4371: 62.5 MHz to 32 GHz PLL and Ultralow Phase Noise VCO

Best Harmonics, Excellent Phase Noise, Best Spurs, Widest Frequency Range, Integrated LDOs

Key Features

- ▶ RF bandwidth: 62.5 MHz to 32 GHz
- ▶ Low phase noise VCO:
 - -111 dBc/Hz at 100 kHz offset at 8 GHz
 - -134 dBc/Hz at 1 MHz offset at 8 GHz
 - -105 dBc/Hz at 100 kHz offset at 16 GHz
 - -128 dBc/Hz at 1 MHz offset at 16 GHz
 - -98 dBc/Hz at 100 kHz offset at 32 GHz
 - -122 dBc/Hz at 1 MHz offset at 32 GHz
 - High resolution 38-bit programmable modulus
- ▶ FOM: -234 dBc/Hz (integer-N); -232 dBc/Hz (fractional-N)

- ▶ 1/f FOM: -127.4 dBc/Hz
- ▶ Integrated tracking filters, integrated LDOs
- ▶ -100 dBc PFD spurs; -60 dBc IBS; -30 dBc 1/2 harmonic
- ▶ Max PFD frequency: 155 MHz (fractional-N); 250 MHz (integer-N)
- ▶ Phase adjust and resync
- ▶ 48-lead, 7 mm × 7 mm package

Key Benefit and Applications

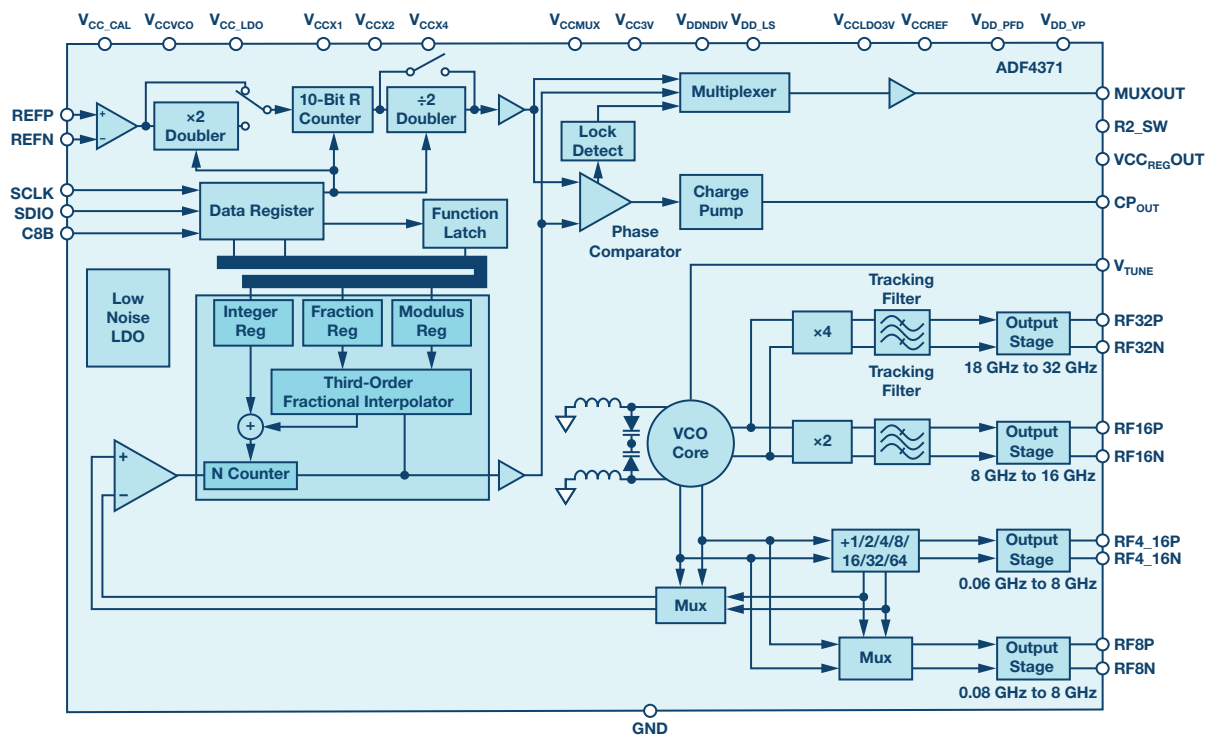
- ▶ Excellent bandwidth, phase noise, spurs, harmonics, subharmonics

Sampling

Now

Release

September 2018



ADF5610: 55 MHz to 15 GHz Wideband Synthesizer With Integrated VCO

Low Spurious PLL Integrated with Lowest Phase Noise and Highest Output Power VCO

Key Features

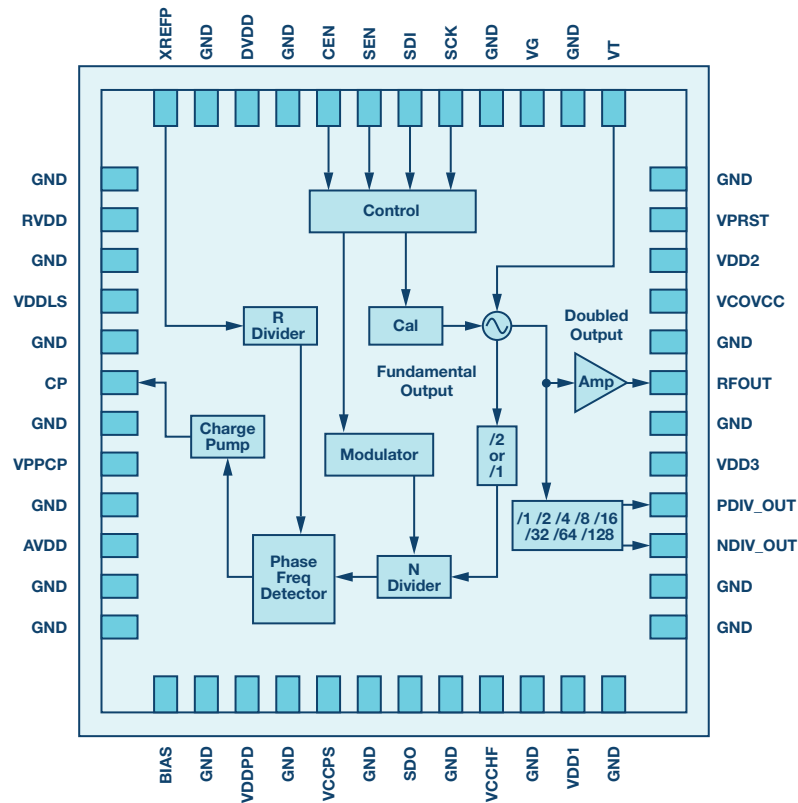
- ▶ RF output frequency range: 55 MHz to 15 GHz
- ▶ Industry-leading voltage-controlled oscillator performance
- ▶ Phase noise: -116 dBc/Hz typical at 100 kHz (7 GHz)
- ▶ Phase noise: -114 dBc/Hz typical at 100 kHz (10 GHz)
- ▶ Phase noise: -109 dBc/Hz max at 100 kHz (15 GHz)
- ▶ Fractional-N synthesizer FOM: -226 dBc/Hz
- ▶ Integer-N synthesizer FOM: -229 dBc/Hz
- ▶ High resolution, 24-bit Δ - Σ modulator
- ▶ Phase frequency detector (PFD) operation to 100 MHz
- ▶ Reference frequency operation to 350 MHz
- ▶ Maintains frequency lock over -40°C to $+85^{\circ}\text{C}$
- ▶ Programmable \div by 1, 2, 4, 8, 16, 32, 64, or 128 output
- ▶ Analog and digital power supplies: 3.3 V, 3.8 V typical
- ▶ VCO power supplies: 5 V, typical
- ▶ Programmable output power level: up to 5 dBm
- ▶ Analog and digital lock detect

Sampling

Now

Release

August 2018



LTC6952/LTC6953: Ultralow Jitter LF to 12 GHz JESD204B Converter Clock Distribution Solution

LTC6952/LTC6953

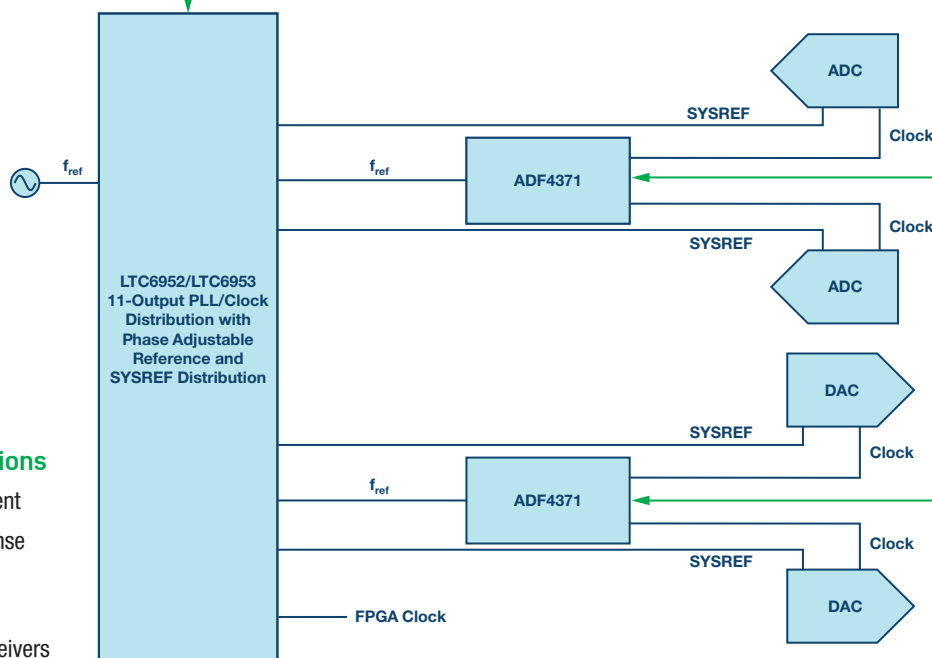
- ▶ 11 ultralow noise CML outputs
- ▶ Pulsed and continuous SREF modes
- ▶ 11 ps phase adjustment per output
- ▶ Reference clean up PLL (6952 only)
- ▶ Reference and SYSREF distribution
- ▶ $T_{RISE}/T_{FALL} = 45$ ps

ADF4371

- ▶ 60 fs jitter (equivalent ADC SNR method)
- ▶ Dual outputs < 8 GHz
- ▶ Single output 8 GHz to 16 GHz
- ▶ Output tracking filter for optimal ADC SFDR results

Common Applications

- ▶ Test and measurement
- ▶ Aerospace and defense
- ▶ Communications
- ▶ High performance transmitters and receivers



Voltage Controlled Oscillators

Low Current VCOs

Part Number	Description	Frequency (GHz)	VCO Phase Noise @ 10 kHz (dBc/Hz)	VCO Phase Noise @ 100 kHz (dBc/Hz)	P _{OUT} (dBm)	V _{TUNE} (V)	V _{CC} (V)	I _{CC} (mA)	Package (mm)	ECCN Code	Ordering Part Number
HMC384	With buffer	2.05 to 2.25	-89	-112	3.5	0 to 10	3	35	4 × 4 LFCSP	EAR99	HMC384LP4E
HMC385	With buffer	2.25 to 2.5	-89	-115	4.5	0 to 10	3	35	4 × 4 LFCSP	EAR99	HMC385LP4E
HMC386	With buffer	2.6 to 2.8	-88	-115	5	0 to 10	3	35	4 × 4 LFCSP	EAR99	HMC386LP4E
HMC416	With buffer	2.75 to 3	-89	-114	4.5	0 to 10	3	37	4 × 4 LFCSP	EAR99	HMC416LP4E
HMC388	With buffer	3.15 to 3.4	-88	-113	4.9	0 to 10	3	39	4 × 4 LFCSP	EAR99	HMC388LP4E
HMC389	With buffer	3.35 to 3.55	-89	-112	4.7	0 to 10	3	41	4 × 4 LFCSP	EAR99	HMC389LP4E
HMC390	With buffer	3.55 to 3.9	-87	-112	4.7	0 to 10	3	42	4 × 4 LFCSP	EAR99	HMC390LP4E
HMC391	With buffer	3.9 to 4.45	-81	-106	5	0 to 10	3	30	4 × 4 LFCSP	EAR99	HMC391LP4E
HMC429	With buffer	4.45 to 5	-79	-105	4	0 to 10	3	30	4 × 4 LFCSP	EAR99	HMC429LP4E
HMC430	With buffer	5 to 5.5	-80	-103	2	0 to 10	3	27	4 × 4 LFCSP	EAR99	HMC430LP4E
HMC431	With buffer	5.5 to 6.1	-80	-102	2	0 to 10	3	27	4 × 4 LFCSP	EAR99	HMC431LP4E
HMC358	With buffer	5.8 to 6.8	-82	-110	11	0 to 10	3	100	MSOP	EAR99	HMC358MS8GE
HMC466	With buffer	6.1 to 6.72	-73	-101	4.5	0 to 10	3	13	4 × 4 LFCSP	EAR99	HMC466LP4E
HMC505	With buffer	6.8 to 7.4	-80	-106	11	1 to 11	3	80	4 × 4 LFCSP	EAR99	HMC505LP4E
HMC532	With buffer	7.1 to 7.9	-80	-101	14	1 to 13	3	85	4 × 4 LFCSP	EAR99	HMC532LP4E
HMC506	With buffer	7.8 to 8.7	-80	-103	14	1 to 11	3	77	4 × 4 LFCSP	EAR99	HMC506LP4E

High Performance VCOs

Part Number	Description	Frequency (GHz)	Primary Divide Output (GHz)	VCO Phase Noise @ 10 kHz (dBc/Hz)	VCO Phase Noise @ 100 kHz (dBc/Hz)	P _{OUT} (dBm)	V _{TUNE} (V)	V _{CC} (V)	I _{CC} (mA)	Package (mm)	ECCN Code	Ordering Part Number
HMC507*	With f0/2	6.65 to 7.65	3.325 to 3.825	-90	-115	13	2 to 13	5	230	5 × 5 LFCSP	EAR99	HMC507LP5E
HMC508*	With f0/2	7.3 to 8.2	3.65 to 4.1	-90	-116	15	2 to 13	5	240	5 × 5 LFCSP	EAR99	HMC508LP5E
HMC509*	With f0/2	7.8 to 8.8	3.9 to 4.4	-90	-115	13	2 to 13	5	250	5 × 5 LFCSP	EAR99	HMC509LP5E
HMC1160*	With f0/2	8.45 to 9.3	4.225 to 4.65	-90	-116	12	2 to 13	5	260	5 × 5 LFCSP	EAR99	HMC1160LP5E
HMC510*	With f0/2 and divide by 4	8.45 to 9.55	4.225 to 4.775	-92	-116	13	2 to 13	5	315	5 × 5 LFCSP	3A001.a.11.b	HMC510LP5E
HMC1161*	With f0/2	8.71 to 9.55	4.355 to 4.775	-90	-115	11	2 to 13	5	250	5 × 5 LFCSP	EAR99	HMC1161LP5E
HMC511*	With f0/2	9.05 to 10.15	4.525 to 5.075	-88	-115	13	2 to 13	5	265	5 × 5 LFCSP	EAR99	HMC511LP5E
HMC1162*	With f0/2	9.25 to 10.1	4.625 to 5.05	-86	-115	11	2 to 13	5	230	5 × 5 LFCSP	EAR99	HMC1162LP5E
HMC1163*	With f0/2	9.65 to 10.41	4.825 to 5.205	-87	-114	11	2 to 13	5	205	5 × 5 LFCSP	EAR99	HMC1163LP5E
HMC530*	With f0/2 and divide by 4	9.5 to 10.8	4.75 to 5.4	-85	-110	11	2 to 13	5	350	5 × 5 LFCSP	3A001.a.11.b	HMC530LP5E
HMC512*	With f0/2 and divide by 4	9.6 to 10.8	4.8 to 5.4	-85	-111	9	2 to 13	5	330	5 × 5 LFCSP	3A001.a.11.b	HMC512LP5E
HMC1164*	With f0/2	10.38 to 11.3	5.19 to 5.65	-86	-114	8	2 to 13	5	200	5 × 5 LFCSP	EAR99	HMC1164LP5E
HMC513*	With f0/2 and divide by 4	10.43 to 11.46	5.215 to 5.73	-85	-110	7	2 to 13	5	275	5 × 5 LFCSP	3A001.a.11.b	HMC513LP5E
HMC1165*	With f0/2	11.07 to 11.62	5.535 to 5.81	-88	-113	8	2 to 13	5	210	5 × 5 LFCSP	EAR99	HMC1165LP5E
HMC534*	With f0/2 and divide by 4	10.6 to 11.8	5.3 to 5.9	-82	-110	11	2 to 13	5	350	5 × 5 LFCSP	3A001.a.11.b	HMC534LP5E
HMC514*	With f0/2 and divide by 4	11.17 to 12.02	5.585 to 6.01	-87	-110	7	2 to 13	3	275	5 × 5 LFCSP	3A001.a.11.b	HMC514LP5E
HMC582*	With f0/2 and divide by 4	11.1 to 12.4	5.55 to 6.2	-83	-110	9	2 to 13	5	350	5 × 5 LFCSP	3A001.a.11.b	HMC582LP5E
HMC515*	With f0/2 and divide by 4	11.5 to 12.5	5.75 to 6.25	-83	-110	10	2 to 13	5	200	5 × 5 LFCSP	3A001.a.11.b	HMC515LP5E
HMC1166*	With f0/2	11.41 to 12.62	5.705 to 6.31	-89	-115	11	2 to 13	5	220	5 × 5 LFCSP	EAR99	HMC1166LP5E
HMC583*	With f0/2 and divide by 4	11.5 to 12.8	5.75 to 6.4	-80	-110	11	2 to 13	5	350	5 × 5 LFCSP	3A001.a.11.b	HMC583LP5E
HMC1167*	With f0/2	12.17 to 13.3	6.085 to 6.65	-86	-113	10	2 to 13	5	200	5 × 5 LFCSP	EAR99	HMC1167LP5E
HMC529*	With f0/2 and divide by 4	12.4 to 13.4	6.2 to 6.7	-83	-110	8	2 to 13	5	260	5 × 5 LFCSP	3A001.a.11.b	HMC529LP5E
HMC1168*	With f0/2	12.47 to 13.72	6.235 to 6.86	-85	-113	10	2 to 13	5	190	5 × 5 LFCSP	EAR99	HMC1168LP5E
HMC584*	With f0/2 and divide by 4	12.5 to 13.9	6.25 to 6.95	-81	-110	10	2 to 13	5	330	5 × 5 LFCSP	3A001.a.11.b	HMC584LP5E
HMC1169*	With f0/2	12.92 to 14.07	6.46 to 7.035	-86	-113	11	2 to 13	5	220	5 × 5 LFCSP	EAR99	HMC1169LP5E
HMC531*	With f0/2 and divide by 4	13.6 to 14.9	6.8 to 7.45	-81	-110	10	2 to 13	5	330	5 × 5 LFCSP	3A001.a.11.b	HMC531LP5E
HMC632*	With f0/2 and divide by 4	14.25 to 15.65	7.125 to 7.825	-80	-107	9	2 to 13	5	350	5 × 5 LFCSP	3A001.a.11.b	HMC632LP5E

Higher Power and Frequency VCOs

Part Number	Description	Frequency (GHz)	Primary Divide Output (GHz)	VCO Phase Noise @ 10 kHz (dBc/Hz)	VCO Phase Noise @ 100 kHz (dBc/Hz)	P _{OUT} (dBm)	V _{TUNE} (V)	V _{CC} (V)	I _{CC} (mA)	Package (mm)	ECCN Code	Ordering Part Number
HMC734*	With divide by 4	8.6 to 10.2	2.15 to 2.55	-70	-100	18	1 to 13	5	218	5 × 5 LFCSP	3A001.a.11.b	HMC734LP5E
HMC735*	With divide by 4	10.5 to 12.2	2.625 to 3.05	-75	-100	17	1 to 13	5	217	5 × 5 LFCSP	3A001.a.11.b	HMC735LP5E
HMC736*	With f0/2	14.5 to 15	7.25 to 7.5	-80	-105	9	1 to 13	4.2	150	4 × 4 LFCSP	EAR99	HMC736LP4E
HMC737*	With f0/2	14.9 to 15.5	7.45 to 7.75	-80	-105	9	1 to 13	4.2	150	4 × 4 LFCSP	EAR99	HMC737LP4E
HMC738*	With f0/2 and divide by 16	20.9 to 23.9	10.45 to 11.95	-65	-95	9	1 to 13	5	200	4 × 4 LFCSP	3A001.a.11.b	HMC738LP4E
HMC533	With divide by 16	23.8 to 24.8	1.4875 to 1.55	-70	-95	12	1 to 13	5	220	4 × 4 LFCSP	3A001.a.11.b	HMC533LP4E
HMC739*	With f0/2 and divide by 16	23.8 to 26.8	11.9 to 13.4	-64	-93	8	1 to 13	5	200	4 × 4 LFCSP	3A001.a.11.b	HMC739LP4E

Ultrawideband VCOs

Part Number	Description	Frequency (GHz)	VCO Phase Noise @ 10 kHz (dBc/Hz)	VCO Phase Noise @ 100 kHz (dBc/Hz)	P _{OUT} (dBm)	V _{TUNE} (V)	V _{CC} (V)	I _{CC} (mA)	Package (mm)	ECCN Code	Ordering Part Number
HMC586*	Wideband VCO	4 to 8	-75	-100	5	0 to 18	5	55	4 × 4 LFCSP	EAR99	HMC586LC4B
HMC587*	Wideband VCO	5 to 10	-65	-95	5	0 to 18	5	55	4 × 4 LFCSP	EAR99	HMC587LC4B
HMC732*	Wideband VCO	6 to 12	-65	-95	1	0 to 23	5	57	4 × 4 LFCSP	EAR99	HMC732LC4B
HMC588*	Wideband VCO	8 to 12.5	-65	-93	5	0 to 13	5	55	4 × 4 LFCSP	EAR99	HMC588LC4B
HMC733*	Wideband VCO	10 to 20	-60	-90	2	-0.25 to +23	5	70	4 × 4 LFCSP	EAR99	HMC733LC4B

Frequency Dividers, Multipliers, and Detectors

Frequency Dividers, Prescalers, and Counters

Part Number	Description	Input Frequency (GHz)	Output Frequency (GHz)	Input Power (dBm)	Output Power (dBm)	Phase Noise @ 100 kHz Offset (dBc/Hz)	V _s (V)	I _{SY} (mA)	Package (mm)	ECCN Code	Ordering Part Number
HMC794*	Programmable divide by n = 1 to 4	0.2 to 2	Variable	-2 to +10	10	-160	5	135	3 × 3 LFCSP	EAR99	HMC794LP3E
HMC394	5-bit counter, divide by n = 2 to 32	0.1 to 2.2	Variable	-15 to +10	4	-153	5	194	4 × 4 LFCSP	3A001.a.11.b	HMC394LP4E
HMC905*	Programmable divide by n = 1 to 4	0.4 to 6	Variable	0 to +10	3	-158	3.3	100	3 × 3 LFCSP	EAR99	HMC905LP3E
HMC705*	Programmable divide by n = 1 to 17	0.1 to 6.5	Variable	-15 to +10	0	-153	5	190	4 × 4 LFCSP	EAR99	HMC705LP4E
HMC983	48-bit Σ-Δ programmable	0 to 7	Variable	-15 to -30	2 V p-p into 100 Ω	-160	5, 3.3	1, 244	5 × 5 LFCSP	EAR99	HMC983LP5E
HMC432*	Fixed divide by 2	0 to 8	0 to 4	-12 to +12	-3	-148	3	42	SOT-26	3A001.a.11.b	HMC432E
HMC361*	Fixed divide by 2	0 to 10	0 to 5	-15 to +10	3	-148	5	83	SOIC	3A001.a.11.b	HMC361S8GE
HMC361	Fixed divide by 2	0 to 12	0 to 6	-15 to +10	3	-148	5	83	Die	3A001.a.11.b	HMC361
HMC361*	Fixed divide by 2	0 to 13	0 to 6.5	-15 to +10	4	-148	5	83	Hermetic SMT	3A001.a.11.b	HMC361G8
HMC492*	Fixed divide by 2	0 to 18	0 to 9	-20 to +10	-4	-150	5	78	3 × 3 LFCSP	3A001.a.11.b	HMC492LP3E
ADF5000*	Fixed divide by 2	4 to 18	2 to 9	-10 to +10	-5	-147	3.3	30	3 × 3 LFCSP	EAR99	ADF5000BCPZ-RL7
HMC437*	Fixed divide by 3	0 to 7	0 to 2.334	-12 to +12	-1	-153	5	69	MSOP	3A001.a.11.b	HMC437MS8GE
HMC433*	Fixed divide by 4	0 to 8	0 to 2	-12 to +12	-2	-150	3	53	SOT-26	3A001.a.11.b	HMC433
HMC362	Fixed divide by 4	0 to 12	0 to 3	-15 to +10	-6	-149	5	68	Die	3A001.a.11.b	HMC362
HMC362*	Fixed divide by 4	0 to 12	0 to 3	-15 to +10	-6	-149	5	68	SOIC	3A001.a.11.b	HMC362S8GE
HMC365	Fixed divide by 4	0 to 13	0 to 3.25	-15 to +10	5	-151	5	120	Die	3A001.a.11.b	HMC365
HMC365*	Fixed divide by 4	0 to 13	0 to 3.25	-15 to +10	7	-151	5	120	Hermetic SMT	3A001.b.2.d	HMC365G8
HMC365*	Fixed divide by 4	0 to 13	0 to 3.25	-15 to +10	5	-151	5	120	SOIC	3A001.b.2.d	HMC365S8GE
HMC493*	Fixed divide by 4	0 to 18	0 to 4.5	-20 to +10	-4	-150	5	96	3 × 3 LFCSP	3A001.a.11.b	HMC493LP3E
ADF5001*	Fixed divide by 4	4 to 18	2 to 4.5	-10 to +10	-5	-150	3.3	30	3 × 3 LFCSP	EAR99	ADF5001BCPZ-RL7
HMC447*	Fixed divide by 4	10 to 26	2.5 to 5.5	-15 to +10	-4	-150	5	96	3 × 3 LFCSP	3A001.a.11.b	HMC447LC3
HMC438*	Fixed divide by 5	0 to 7	0 to 1.4	-15 to +10	-1	-153	5	80	MSOP	3A001.a.11.b	HMC438MS8GE
HMC434	Fixed divide by 8	0 to 8	0 to 1	-10 to +12	-2	-150	3	62	SOT-26	3A001.a.11.b	HMC434E
HMC862A New	Programmable divider N = 1 to 8	0.1 to 24	Variable	-5 to +10	-3 to +6	-153	5	73	3 × 3 LFCSP	EAR99	HMC862ALP3E
HMC363*	Fixed divide by 8	0 to 12	0 to 1.5	-15 to +10	-6	-153	5	90	Die	3A001.a.11.b	HMC363
HMC363*	Fixed divide by 8	0 to 12	0 to 1.5	-15 to +10	4	-153	5	90	Hermetic SMT	3A001.a.11.b	HMC363G8
HMC363*	Fixed divide by 8	0 to 12	0 to 1.5	-15 to +10	-6	-153	5	90	SOIC	3A001.a.11.b	HMC363S8GE
HMC494*	Fixed divide by 8	0 to 18	0 to 2.25	-20 to +10	-4	-150	5	103	3 × 3 LFCSP	3A001.a.11.b	HMC494LP3E
ADF5002*	Fixed divide by 8	4 to 18	0.5 to 2.25	-10 to +10	-5	-153	3.3	30	3 × 3 LFCSP	EAR99	ADF5002BCPZ-RL7

Frequency Multipliers—Active

Part Number	Description	Input Frequency (GHz)	Output Frequency (GHz)	Input Power (dBm)	Output Power (dBm)	100 kHz Phase Noise (dBc/Hz)	V _s (V)	I _{SY} (mA)	Package (mm)	ECCN Code	Ordering Part Number
HMC1096	×2 active	1.9 to 2.8	3.7 to 5.6	0	12	-142	5	100	3 × 3 LFCSP	EAR99	HMC1096LP3E
HMC575	×2 active	3 to 4.5	6 to 9	3	17	-140	5	90	4 × 4 LFCSP	EAR99	HMC575LP4E
HMC369	×2 active	4.95 to 6.35	9.9 to 12.7	0	4	-142	5	46	3 × 3 LFCSP	EAR99	HMC369LP3E
HMC368	×2 active	4.5 to 8	9 to 16	2	13	-140	5	75	4 × 4 LFCSP	EAR99	HMC368LP4E
HMC561	×2 active	4 to 10.5	8 to 21	5	17	-139	5	98	Die	EAR99	HMC561
HMC561	×2 active	4 to 10.5	8 to 21	5	17	-139	5	98	3 × 3 LFCSP	EAR99	HMC561LP3E
HMC573*	×2 active	4 to 11	8 to 22	5	12	-134	5	92	3 × 3 LFCSP	EAR99	HMC573LC3B
HMC814	×2 active	6.5 to 12.3	13 to 24.6	4	17	-136	5	88	Die	EAR99	HMC814
HMC814*	×2 active	6.5 to 12.3	13 to 24.6	4	17	-136	5	88	3 × 3 LFCSP	EAR99	HMC814LC3B
HMC448	×2 active	9.5 to 12.5	19 to 25	0	11	-135	5	48	Die	EAR99	HMC448
HMC576	×2 active	9 to 14.5	18 to 29	3	17	-132	5	82	Die	EAR99	HMC576
HMC576*	×2 active	9 to 14.5	18 to 29	3	17	-132	5	82	3 × 3 LFCSP	EAR99	HMC576LC3B
HMC942*	×2 active	12 to 15.5	25 to 31	4	17	—	4.5	214	4 × 4 LFCSP	EAR99	HMC942LP4E
HMC577*	×2 active	13.5 to 15.5	27 to 31	5	20	-128	5	213	4 × 4 LFCSP	EAR99	HMC577LC4B
HMC578	×2 active	12 to 16.5	24 to 33	3	17	-132	5	81	Die	EAR99	HMC578
HMC578*	×2 active	12 to 16.5	24 to 33	3	17	-132	5	81	3 × 3 LFCSP	EAR99	HMC578LC3B
HMC598	×2 active	11 to 23	22 to 46	5	15	—	5	175	Die	EAR99	HMC598
HMC579*	×2 active	16 to 23	32 to 46	3	9	-127	5	70	Die	EAR99	HMC579
HMC443*	×4 active	2.45 to 2.8	9 to 11.2	-15	4	-142	5	52	4 × 4 LFCSP	EAR99	HMC443LP4E
HMC695*	×4 active	2.85 to 3.3	11.4 to 13.2	-15	7	-140	5	60	4 × 4 LFCSP	EAR99	HMC695LP4E
HMC370*	×4 active	3.6 to 4.1	14.4 to 16.4	-15	0	-140	5	55	4 × 4 LFCSP	EAR99	HMC370LP4E
HMC1110	×6 active	11.83 to 14.33	71 to 86	3	13	—	4	255	Die	EAR99	HMC1110
HMC444*	×8 active	1.2375 to 1.4	9.9 to 11.2	-15	6	-136	5	68	4 × 4 LFCSP	EAR99	HMC444LP4E
HMC445*	×16 active	0.61875 to 0.6875	9.9 to 11	-15	7	-130	5	78	4 × 4 LFCSP	EAR99	HMC445LP4E

* = X-Microwave

Frequency Multipliers—Passive

Part Number	Description	Input Frequency (GHz)	Output Frequency (GHz)	Input Drive (dBm)	Conversion Loss (dB)	1 F0 Isolation (dB)	4 F0 Isolation (dB)	Package (mm)	ECCN Code	Ordering Part Number
HMC-XDB112	×2 passive	10 to 15	20 to 30	10 to 15	13	30	—	Die	5A991.h	HMC-XDB112
HMC1105*	×2 passive	20 to 40	40 to 80	11 to 15	11	41	46	Die	EAR99	HMC1105
HMC-XTB110	×3 passive	24 to 30	72 to 90	10 to 15	19	—	—	Die	5A991.h	HMC-XTB110

Phase Frequency Detectors

Part Number	Description	Input Frequency (GHz)	Input Power (dBm)	10 kHz Phase Noise (dBc/Hz)	Output Level (mA)	V _{CC} (V)	I _{CC} (mA)	Package (mm)	ECCN Code	Ordering Part Number
HMC984	With charge pump	0 to 0.35	+3 to +12	—	0.02 to 2.5	5, 3	97, 27	4 × 4 LFCSP	EAR99	HMC984LP4E
HMC439	Ultralow phase noise	0.01 to 1.3	−10 to +10	−153	2 V p-p	5	96	QSOP	3A001.a.11.b	HMC439QS16GE
HMC3716	Ultralow phase noise	0.01 to 1.3	−10 to +5	−153	2 V p-p	5	115	4 × 4 LFCSP	3A001.a.11.b	HMC3716LP4E

Tunable Harmonic Low-Pass Filters

Part Number	Description	Frequency (GHz)	Control	Cutoff Freq Range (MHz)	Stop Band Frequency (Rej > 20 dB)	Tuning Response (ns)	Return Loss (dB)	Package (mm)	ECCN Code	Ordering Part Number
HMC1044	Programmable, harmonic low-pass filter	0 to 3.025	Digital 3 bits	1000 to 3000	—	10	10	3 × 3 LFCSP	EAR99	HMC1044LP3E

RF Power Detectors

TruPwr rms Responding Detectors

Part Number	Description	Input Frequency (GHz)	Input Range (dBm)	Dynamic Range (dB)	V _s (V)	I _{sv} (mA)	Package (mm)	ECCN Code	Ordering Part Number
AD8361	Linear in V/V rms	LF to 2.5	-21 to +9	30	3 to 5	1.1	SOT-23	5A991.b	AD8361ARTZ-RL7
AD8361	Linear in V/V rms	LF to 2.5	-21 to +9	30	3 to 5	1.1	SOIC	5A991.b	AD8361ARMZ-REEL7
AD8364	Dual linear-in-dB	LF to 2.7	-58 to +2	60	5	70	5 × 5 LFCSP	5A991.b	AD8364ACPZ-WP
AD8362	Linear-in-dB	LF to 3.8	-55 to +12	65	5	20	TSSOP	5A991.b	AD8362ARUZ-REEL7
HMC1010	Linear-in-dB	0 to 3.9	-52 to +10	60	5	48	4 × 4 LFCSP	EAR99	HMC1010LP4E
HMC1020	Linear-in-dB	0 to 3.9	-64 to +7	71	5	55	4 × 4 LFCSP	EAR99	HMC1020LP4E
HMC1021	Linear-in-dB with envelope detector	0 to 3.9	-62 to +8	70	5	75	4 × 4 LFCSP	EAR99	HMC1021LP4E
HMC1030	Dual linear-in-dB with envelope detector	0 to 3.9	-61 to +10	70	5	143	5 × 5 LFCSP	EAR99	HMC1030LP5E
HMC1120	Linear-in-dB with envelope detector	0 to 3.9	-62 to +10	72	3	70	4 × 4 LFCSP	EAR99	HMC1120LP4E
HMC909	Linear-in-dB	0 to 5.8	-51 to -11	40	5	42	4 × 4 LFCSP	EAR99	HMC909LP4E
ADL5511	Linear in V/V rms with envelope detector	0 to 6	-30 to +17	47	5	21.5	4 × 4 LFCSP	EAR99	ADL5511ACPZ-R7
AD8363	Linear-in-dB	-0 to 6	-52 to +0	52	5	60	4 × 4 LFCSP	5A991.b	AD8363ACPZ-WP
LT5581	Linear-in-dB	0.01 to 6	-35 to +8	40	2.7 to 5	1.4	3 × 2 DFN	EAR99	LT5581IDDB#TRPBF
LTC5587	Linear-in-dB, integrated 12-bit ADC	0.01 to 6	-35 to +8	40	3.3	3	3 × 3 DFN	EAR99	LTC5587IDD#TRPBF
LTC5583	Dual-channel, linear-in-dB, VSWR, peak detect	0.04 to 6	-57 to +3	60	3.3	80.5	4 × 4 QFN	EAR99	LTC5583IUF#TRPBF
ADL5501	Linear in V/V rms	0.05 to 6	-19 to +11	30	3 to 5	1.1	2 × 2 SC70	5A991.b	ADL5501AKSZ-R2
ADL5500	Linear in V/V rms	0.1 to 6	-20 to +10	30	3 to 5	1	1 × 1 WLCSP	5A991.b	ADL5500ACBZ-P7
ADL5903	Linear-in-dB	0.2 to 6	-22 to +13	35	3 to 5	2.5	2 × 2 LFCSP	5A991.b	ADL5903ACPZN-R7
ADL5502	Linear in V/V rms with peak/envelope detector	0.45 to 6	-25 to +12	37	3	3	3 × 3 WLCSP	5A991.b	ADL5502ACBZ-P7
ADL5504	Linear in V/V rms excellent rms accuracy	0.45 to 6	-22 to +15	35	3	1.8	1.2 × 0.8 WLCSP	5A991.b	ADL5504ACBZ-P7
ADL5505	Linear in V/V rms	0.45 to 6	-22 to +14	35	3	1.8	0.8 × 0.8 WLCSP	5A991.b	ADL5505ACBZ-P7
ADL5904 <i>New</i>	Linear-in-dB rms with threshold detector	0 to 6	-30 to +15	45	3.3	3	3 × 3 LFCSP	EAR99	ADL5904ACPZN-R7
ADL5920 <i>Upcoming</i>	Directional bridge, dual rms detector	-0 to 7 GHz	-20 to +30	50	5	150	5 × 5 LFCSP	EAR99	ADL5920ACPZ-R2
ADL5902	Linear-in-dB	0.05 to 9	-62 to +3	65	5	73	4 × 4 LFCSP	5A991.b	ADL5902ACPZ-WP
ADL5906	Linear-in-dB	0.01 to 10	-60 to +5	65	5	70	4 × 4 LFCSP	5A991.b	ADL5906ACPZN-R2
LTC5582	Linear-in-dB	0.04 to 10	-56 to +1	57	3.3	41.6	3 × 3 DFN	EAR99	LTC5582IDD#TRPBF
LTC5596	Linear-in-dB	0.1 to 40	-32 to +3	35	3.3	30	2 × 2 DFN	EAR99	LTC5596IDC#TRPBF

Log Detectors/Amplifiers

Part Number	Description	Input Frequency (GHz)	Input Range (dBm)	Dynamic Range (dB)	Rise/Fall Time (ns)	V _s (V)	I _{sv} (mA)	Package (mm)	ECCN Code	Ordering Part Number
AD8306	Log/limiting amplifier	0.005 to 0.4	-91 to +9	100	73/73	3 to 5	16	Die	EAR99	AD8306ACHIPS
AD8306	Log/limiting amplifier	0.005 to 0.4	-91 to +9	100	73/73	3 to 5	16	SOP	EAR99	AD8306ARZ-RL7
AD8310	Log detector	0 to 0.44	-90 to +5	95	15/30	3 to 5	8	Die	EAR99	AD8310ACHIPS
AD8310	Log detector	0 to 0.44	-90 to +5	95	15/30	3 to 5	8	MSOP	EAR99	AD8310ARMZ-REEL7
AD8307	Log detector	0 to 0.5	-75 to +17	92	400/400	3 to 5	8	SOIC	EAR99	AD8307ARZ-RL7
AD8307	Log detector	0 to 0.5	-75 to +17	92	400/400	3 to 5	8	PDIP	EAR99	AD8307ANZ
AD8309	Log/limiter amplifier	0.005 to 0.5	-76 to +20	100	400/400	3 to 5	16	TSSOP	EAR99	AD8309ARUZ-REEL7
LT5537	Log detector	<0.01 to 1	-71 to +12	83	110/115	2.7 to 5	13.5	3 × 2 DFN	EAR99	LT5537EDDB#TRPBF
AD8313	Log detector/controller	0.1 to 2.5	-72 to 0	70	60/60	3 to 5	13.7	MSOP	EAR99	AD8313ARMZ-REEL7
AD8314	Log detector/controller	0.1 to 2.7	-65 to -14	45	100/140	3 to 5	4.5	MSOP	EAR99	AD8314ARMZ-REEL7
AD8314	Log detector/controller	0.1 to 2.7	-65 to -14	45	100/140	3 to 5	4.5	2 × 3 LFCSP	EAR99	AD8314ACPZ-RL7
AD8302	Gain and phase detector	0 to 2.7	-60 to 0	60	50/60	3 to 5	19	TSSOP	EAR99	AD8302ARUZ-RL7
LT5504	Log detector	0.8 to 2.7	-67 to 3	75	200/150	2.7 to 5	14.7	MSOP	EAR99	LT5504EMS8#TRPBF
LT5534	Log detector	0.05 to 3	-55 to -3	60	40/70	2.7 to 5	7	2 × 2 SC70	EAR99	LT5534ESC6#TRPBF
HMC612	Log detector/controller	0 to 3	-65 to 5	70	19/100	3 to 5	29	4 × 4 LFCSP	EAR99	HMC612LP4E
AD8312	Log detector	0.05 to 3.5	-50 to 2	45	85/120	3 to 5	4.2	1 × 1.5 WLCSP	5A991.g	AD8312ACBZ-P2
LT5538	Log detector	0.04 to 3.8	-65 to 1	70	100/180	3 to 5	29	3 × 3 DFN	EAR99	LT5538IDD#TRPBF
HMC600	Log detector/controller	0.05 to 4	-61 to 0	70	90/90	3 to 5	29	4 × 4 LFCSP	EAR99	HMC600LP4E
HMC601	Log detector/controller	0.01 to 4	-64 to 2	75	15/15	3 to 5	30	4 × 4 LFCSP	EAR99	HMC601LP4E
ADL5513	Log detector/controller	0.001 to 4	-64 to 6	80	20/21	3 to 5	31	3 × 3 WLCSP	EAR99	ADL5513ACPZ-WP
ADL5506	Log detector	0.03 to 4.5	-44 to 2	45	65/145	3 to 5	3.75	0.8 × 1.2 WLCSP	5A991.b	ADL5506ACBZ-R7
HMC713	Log detector/controller	0.05 to 8	-55 to 0	54	24/36	3 to 5	17	3 × 3 LFCSP	EAR99	HMC713LP3E
HMC713	Log detector/controller	0.05 to 8	-55 to 0	54	24/70	3 to 5	17	MSOP	EAR99	HMC713MS8E
AD8318	Log detector/controller	0.001 to 8	-60 to -3	60	10/12	5	68	4 × 4 LFCSP	EAR99	AD8318ACPZ-WP

■ = Simulation models available in ADI's ADIsimRF and/or ADIsimPLL simulation tools.

Log Detectors/Amplifiers (Continued)

Part Number	Description	Input Frequency (GHz)	Input Range (dBm)	Dynamic Range (dB)	Rise/Fall Time (ns)	V _s (V)	I _{sv} (mA)	Package (mm)	ECCN Code	Ordering Part Number
HMC602	Log detector/controller	0.001 to 8	-55 to +8	70	9.5/10	5	113	4 × 4 LFCSP	EAR99	HMC602LP4E
AD8319	Log detector/controller	0.001 to 10	-54 to -4	45	10/6	3.3 to 5	22	2 × 3 LFCSP	EAR99	AD8319ACPZ-WP
AD8317	Log detector/controller	0.001 to 10	-59 to -4	55	10/6.1	3.3 to 5	22	2 × 2 LFCSP	EAR99	AD8317ACPZ-WP
AD8317	Log detector/controller	0.001 to 10	-59 to -4	55	10/6.1	3.3 to 5	22	Die	EAR99	AD8317ACHIPS
HMC611	Log detector/controller	0.001 to 10	-57 to +6	63	10/10	5	106	Die	EAR99	HMC611
HMC611	Log detector/controller	0.001 to 10	-57 to +6	69	10/10	5	106	4 × 4 LFCSP	EAR99	HMC611LP4E
ADL5519	Dual log detector/controller	0.001 to 10	-60 to -5	62	8/6	3.3 to 5	60	5 × 5 LFCSP	EAR99	ADL5519ACPZ-WP
HMC1094	Millimeter wave log detector	1 to 23	-47 to 0	50	12/65	3.3	85	3 × 3 LFCSP	EAR99	HMC1094LP3E
HMC948	Millimeter wave log detector	1 to 23	-40 to +10	54	5/7	3.3	91	3 × 3 LFCSP	EAR99	HMC948LP3E
HMC662	Millimeter wave log detector	8 to 30	-42 to +10	54	5/10	3.3	88	3 × 3 LFCSP	EAR99	HMC662LP3E
HMC7447	E-band detector	71 to 86	-0.5 to +23.5	24	—	—	—	Die	EAR99	HMC7447

Envelope and Peak Detectors

Part Number	Description	Frequency (GHz)	Envelope Bandwidth (MHz)	Input Range (dBm)	Dynamic Range (dB)	Rise Time (ns)	V _s (V)	I _{sv} (mA)	Package (mm)	ECCN Code	Ordering Part Number
LTC5507	Schottky peak detector with gain compression	0.0001 to 1	1	-18 to +14	32	—	2.7 to 6	0.55	TSOT-23	EAR99	LTC5507ES6#TRPBF
LTC5509	Schottky peak detector with no gain compression	0.3 to 3	1.5	-18 to +7	25	—	2.7 to 6	0.58	SC70	EAR99	LTC5509ESC6#TRPBF
LTC5505-1	Schottky peak detector with gain compression	0.3 to 3	4	-20 to +18	38	—	2.7 to 6	0.5	SOT-23	EAR99	LTC5505-1ES5#TRPBF
LTC5505-2	Schottky peak detector with gain compression	0.3 to 3.5	4	-20 to +12	32	—	2.7 to 6	0.5	SOT-23	EAR99	LTC5505-2ES5#TRPBF
HMC1030	Dual rms linear-in-dB with envelope detector	0 to 3.9	150	-61 to +10	70	50	5	143	5 × 5 LFCSP	EAR99	HMC1030LP5E
HMC1120	Linear-in-dB with envelope detector	0.1 to 3.9	150	-60 to +10	70	200	3	70	4 × 4 LFCSP	EAR99	HMC1120LP4E
HMC1021	RMS detector with envelope tracker	0 to 3.9	150	-62 to +8	70	50	5	75	4 × 4 LFCSP	EAR99	HMC1021LP4E
ADL5502	RMS crest factor detector	0.45 to 6	10	-25 to +12	37	3000	3	3	3 × 3 WLCSP	5A991.b	ADL5502ACBZ-P7
ADL5910 <i>New</i>	Threshold detector	0 to 6	100	-30 to +15	45	12	3.3	3.5	3 × 3 LFCSP	EAR99	ADL5910ACPZN-R7
ADL5511	RMS linear-in-V/V with envelope detector	0 to 6	130	-30 to +17	47	4	5	21.5	4 × 4 LFCSP	EAR99	ADL5511ACPZ-R7
LTC5530	Schottky peak detector with gain adjust	0.3 to 7	2	-24 to +7	30	—	2.7 to 5.5	0.5	TSOT-23	EAR99	LTC5530ES6#TRPBF
LTC5531	Schottky peak detector with offset adjust	0.3 to 7	2	-24 to +7	30	—	2.7 to 5.5	0.5	TSOT-23	EAR99	LTC5531ES6#TRPBF
LTC5532	Schottky peak detector with gain and offset adjust	0.3 to 7	2	-24 to +7	30	—	2.7 to 5.5	0.5	TSOT-23	EAR99	LTC5532ES6#TRPBF
LTC5508	Schottky peak detector with gain compression	0.3 to 7	2	-24 to +12	36	—	2.7 to 6	0.55	SC70	EAR99	LTC5508ESC6#TRPBF
LTC5536	Schottky peak detector and 20 ns comparator	0.6 to 7	—	-20 to +12	32	20	2.7 to 5.5	2.1	TSOT-23	EAR99	LTC5536ES6#TRPBF
LTC5535	Schottky peak detector	0.6 to 7	12	-20 to +9	30	40	2.7 to 5.5	2	TSOT-23	EAR99	LTC5535ES6#TRPBF
LTC5533	Dual Schottky peak detector	0.3 to 11	2	-20 to +7	30	—	2.7 to 6	0.9	4 × 3 DFN	EAR99	LTC5533EDE#TRPBF
LTC5564	Ultrafast Schottky peak detector with 9 ns comparator	0.6 to 15	75	-10 to +16	26	7	3 to 5.5	44	3 × 3 QFN	EAR99	LTC5564IUD#TRPBF
ADL6010	Envelope detector	0.5 to 43.5	40	-30 to +15	45	4	5	3	2 × 2 LFCSP	5A991.b	ADL6010ACPZN-R7
ADL6012 <i>Upcoming</i>	Envelope detector	2.0 to 43.5	500	-10 to +15	25	2	5	26	3 × 2 LFCSP	5A991.b, EAR99	ADL6012ACPZN-R7

SDLVAs

Part Number	Description	Frequency (GHz)	Rise/Fall Time (ns)	Input Range (dBm)	Dynamic Range (dB)	Prop Delay (ns)	Threshold (dBm)	V _s (V)	I _{sv} (mA)	Package (mm)	ECCN Code	Ordering Part Number
HMC1013	High range SDLVA	0.5 to 18.5	4/10	-57 to +10	67	10	-62	3.3	183	4 × 4 LFCSP	EAR99	HMC1013LP4E
HMC613	SDLVA	0.1 to 20	4/18	-54 to +5	59	14	-54	3.3	83	4 × 4 LFCSP	EAR99	HMC613LC4B
HMC913	SDLVA	0.6 to 20	5/10	-54 to +5	59	14	-54	3.3	80	Die	EAR99	HMC913
HMC913	SDLVA	0.6 to 20	5/10	-54 to +5	59	14	-54	3.3	80	4 × 4 LFCSP	EAR99	HMC913LC4B
HMC813	SDLVA with limited output	1 to 26	4/10	-48 to +5	55	15	-53	3.3	150	Die	EAR99	HMC813
HMC813	SDLVA with limited output	1 to 26	5/10	-41 to +10	55	15	-53	3.3	150	4 × 4 LFCSP	EAR99	HMC813LC4B

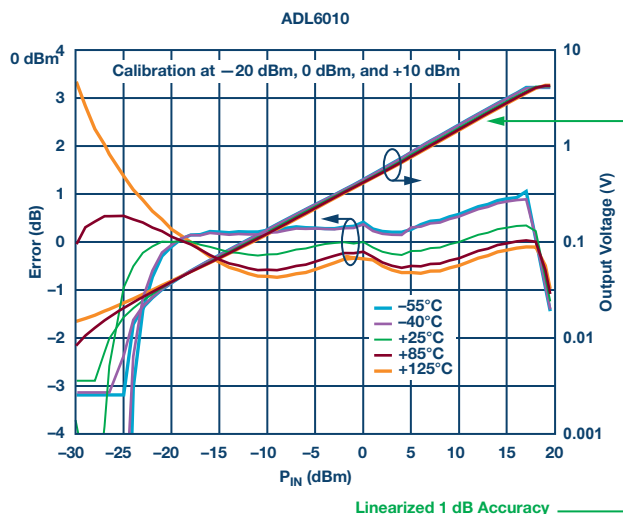
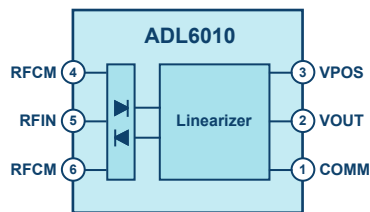
ADL6010: Widest Bandwidth, Fastest Response Peak/Envelope Detector

Features

- ▶ Linearized Schottky diode detector
- ▶ 50 Ω matched from 500 MHz to 43.5 GHz
- ▶ 45 dB dynamic range: -30 dBm to -15 dBm
- ▶ ±1 dB measurement accuracy over temperature
- ▶ 10 ns response time
- ▶ Log-linear in volts response
- ▶ 5 V/1.6 mA supply
- ▶ Small 2.05 mm × 2.05mm LFCSP package
- ▶ A-grade: -40°C to +85°C
- ▶ S-grade: -55°C to +125°C available

Applications

- ▶ Microwave backhaul
- ▶ Communications infrastructure
- ▶ Pulsed radar systems
- ▶ Test instrumentation
- ▶ Fast signal detect
- ▶ Optical communications



LTC5596: Widest Bandwidth, Highest Sensitivity rms Detector

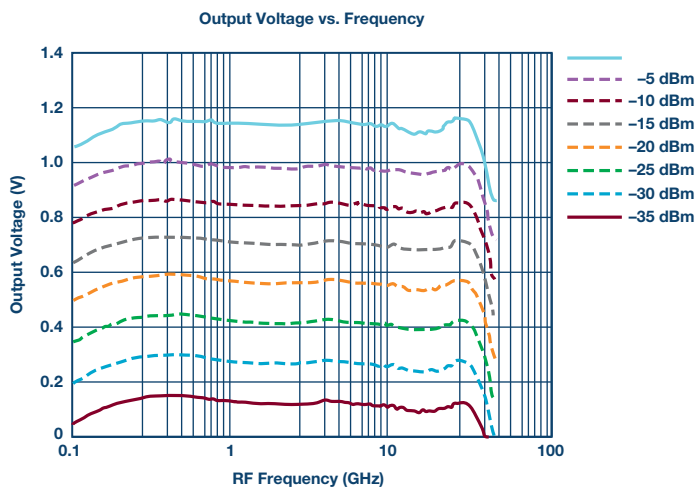
Key Features

- ▶ 50 Ω matched from 100 MHz to 40 GHz
- ▶ 35 dB dynamic range: -37 dBm to -2 dBm
- ▶ ±1 dB measurement accuracy
- ▶ Log-linear in dB response
- ▶ 3.3 V/30 mA supply
- ▶ Small 2 mm × 2 mm, 8-lead DFN package
- ▶ I-grade: -40°C to +105°C case temperature
- ▶ H-grade: -40°C to +125°C case rated



Applications

- ▶ Microwave backhaul
- ▶ Communications infrastructure
- ▶ Radar systems
- ▶ Test instrumentation
- ▶ Telematics



High Speed Logic

1:2 and 1:4 Fanout Buffers

Part Number	Description	Data/Clock Rate (Gbps/GHz)	Rise/Fall Time (ps)	Deterministic Jitter (ps)	Differential Output Swing (V_{PPD})	DC Power Consumption (mW)	DC Power Supply (V_{DC})	Package (mm)	ECCN Code	Ordering Part Number
HMC720	1:2 fanout buffer	13/13	19/18	2	0.6 to 1.1	300	-3.3 or +3.3	3 × 3 LFCSP	EAR99	HMC720LP3E
HMC724	1:2 fanout buffer	13/13	19/18	2	1.1	300	-3.3 or +3.3	3 × 3 LFCSP	EAR99	HMC724LC3
HMC744	1:2 fanout buffer	13/13	22/20	2	0.6 to 1.2	290	-3.3 or +3.3	3 × 3 LFCSP	EAR99	HMC744LC3
HMC850	1:2 fanout buffer	28/20	16/15	2	0.6 to 1.1	315	-3.3 or +3.3	3 × 3 LFCSP	EAR99	HMC850LC3
HMC842	1:2 fanout buffer w/ adjustable V_{OUT}	45/28	11/11	3	0.4 to 1.2	465	-3.3	4 × 4 LFCSP	EAR99	HMC842LC4B
HMC940	1:4 fanout buffer	13/13	26/25	4	0.6 to 1.4	440	-3.3 or +3.3	4 × 4 LFCSP	EAR99	HMC940LC4B

2:1 Selectors

Part Number	Description	Data/Clock Rate (Gbps/GHz)	Rise/Fall Time (ps)	Deterministic Jitter (ps)	Differential Output Swing (V_{PPD})	DC Power Consumption (mW)	DC Power Supply (V_{DC})	Package (mm)	ECCN Code	Ordering Part Number
HMC858	2:1 differential selector	14/14	19/20	2	0.5 to 1.3	221	-3.3 or +3.3	4 × 4 LFCSP	EAR99	HMC858LC4B
HMC678	2:1 differential selector	13/13	17/15	—	0.6 to 1.2	250	-3.3 or +3.3	3 × 3 LFCSP	EAR99	HMC678LC3C
HMC728	2:1 differential selector	13/13	17/15	—	1.1	250	-3.3 or +3.3	3 × 3 LFCSP	EAR99	HMC728LC3C
HMC748	2:1 selector	13/13	22/22	2	0.6 to 1.2	250	-3.3 or +3.3	3 × 3 LFCSP	EAR99	HMC748LC3C
HMC958	4:1 selector	14/14	17/17	2	0.5 to 1.3	294	-3.3 or +3.3	5 × 5 LFCSP	EAR99	HMC958LC5

AND/NAND/OR/NOR

Part Number	Description	Data/Clock Rate (Gbps/GHz)	Rise/Fall Time (ps)	Deterministic Jitter (ps)	Differential Output Swing (V_{PPD})	DC Power Consumption (mW)	DC Power Supply (V_{DC})	Package (mm)	ECCN Code	Ordering Part Number
HMC722	AND/NAND/OR/NOR with adjustable V_{OUT}	13/13	19/18	2	0.6 to 1.1	230	-3.3 or +3.3	3 × 3 LFCSP	EAR99	HMC722LC3C
HMC722	AND/NAND/OR/NOR	13/13	19/18	2	0.6 to 1.1	230	-3.3 or +3.3	3 × 3 LFCSP	EAR99	HMC722LP3E
HMC726	AND/NAND/OR/NOR	13/13	19/18	2	1.1	230	-3.3 or +3.3	3 × 3 LFCSP	EAR99	HMC726LC3C
HMC746	AND/NAND/OR/NOR	13/13	22/21	2	0.6 to 1.2	230	-3.3 or +3.3	3 × 3 LFCSP	EAR99	HMC746LC3C
HMC843	AND/NAND/OR/NOR	45/45	10/10	2	0.2 to 0.9	520	-3.3	4 × 4 LFCSP	EAR99	HMC843LC4B

Clock Dividers

Part Number	Description	Data/Clock Rate (Gbps/GHz)	Rise/Fall Time (ps)	Deterministic Jitter (ps)	Differential Output Swing (V_{PPD})	DC Power Consumption (mW)	DC Power Supply (V_{DC})	Package (mm)	ECCN Code	Ordering Part Number
HMC959	Clock divide by 4	—/26	19/19	2	0.8 to 1.8	281	-3.3 or +3.3	3 × 3 LFCSP	EAR99	HMC959LC3
HMC859	Clock divide by 8	—/26	19/17	2	0.8 to 1.8	520	-3.3 or +3.3	3 × 3 LFCSP	EAR99	HMC859LC3

D-Type Flip Flops

Part Number	Description	Data/Clock Rate (Gbps/GHz)	Rise/Fall Time (ps)	Deterministic Jitter (ps)	Differential Output Swing (V_{PPD})	DC Power Consumption (mW)	DC Power Supply (V_{DC})	Package (mm)	ECCN Code	Ordering Part Number
HMC953	Dual D-type flip flop with common	14/14	22/20	2	0.6 to 1.3	442	-3.3 or +3.3	4 × 4 LFCSP	EAR99	HMC953LC4B
HMC723	D-type flip flop with adjustable V_{OUT}	13/13	19/17	2	0.7 to 1.3	264	-3.3 or +3.3	3 × 3 LFCSP	EAR99	HMC723LC3C
HMC723	D-type flip flop	13/13	19/17	2	0.7 to 1.3	260	-3.3 or +3.3	3 × 3 LFCSP	EAR99	HMC723LP3E
HMC727	D-type flip flop	13/13	19/17	2	1.1	260	-3.3 or +3.3	3 × 3 LFCSP	EAR99	HMC727LC3C
HMC747	D-type flip flop	13/13	22/20	2	0.7 to 1.2	264	-3.3 or +3.3	3 × 3 LFCSP	EAR99	HMC747LC3C
HMC853	D-type flip flop	28/28	15/14	2	0.7 to 1.3	260	-3.3 or +3.3	3 × 3 LFCSP	EAR99	HMC853LC3
HMC841	D-type flip flop	43/43	12/12	2	0.2 to 0.85	630	-3.3	4 × 4 LFCSP	EAR99	HMC841LC4B

T-Flip Flops

Part Number	Description	Data/Clock Rate (Gbps/GHz)	Rise/Fall Time (ps)	Deterministic Jitter (ps)	Differential Output Swing (V_{PPD})	DC Power Consumption (mW)	DC Power Supply (V_{DC})	Package (mm)	ECCN Code	Ordering Part Number
HMC679	T-flip flop with reset	26/26	18/17	2	0.4 to 1.1	270	-3.3 or +3.3	3 × 3 LFCSP	EAR99	HMC679LC3C
HMC729	T-flip flop with reset	26/26	18/17	2	1.1	270	-3.3 or +3.3	3 × 3 LFCSP	EAR99	HMC729LC3C
HMC749	T-flip flop with reset	26/26	18/17	2	0.6 to 1.2	270	-3.3 or +3.3	3 × 3 LFCSP	EAR99	HMC749LC3C

XOR/XNORs

Part Number	Description	Data/Clock Rate (Gbps/GHz)	Rise/Fall Time (ps)	Deterministic Jitter (ps)	Differential Output Swing (V _{PPD})	DC Power Consumption (mW)	DC Power Supply (V _{DC})	Package (mm)	ECCN Code	Ordering Part Number
HMC721	XOR/XNOR with adjustable V _{OUT}	13/13	19/18	2	0.6 to 1.2	230	-3.3 or +3.3	3 × 3 LFCSP	EAR99	HMC721LC3C
HMC721	XOR/XNOR	13/13	19/18	2	0.6 to 1.2	230	-3.3 or +3.3	3 × 3 LFCSP	EAR99	HMC721LP3E
HMC725	XOR/XNOR	13/13	19/18	2	1.1	230	-3.3 or +3.3	3 × 3 LFCSP	EAR99	HMC725LC3C
HMC745	XOR/XNOR	13/13	21/19	2	0.6 to 1.2	240	-3.3 or +3.3	3 × 3 LFCSP	EAR99	HMC745LC3
HMC851	XOR/XNOR	28/28	15/14	2	0.6 to 1.4	241	-3.3 or +3.3	3 × 3 LFCSP	EAR99	HMC851LC3C
HMC844	XOR/XNOR	45/28	11/10	2	0.2 to 0.85	512	-3.3	4 × 4 LFCSP	EAR99	HMC844LC4B

Muxes and Demuxes

Part Number	Description	Data/Clock Rate (Gbps/GHz)	Rise/Fall Time (ps)	Deterministic Jitter (ps)	Differential Output Swing (V _{PPD})	DC Power Consumption (mW)	DC Power Supply (V _{DC})	Package (mm)	ECCN Code	Ordering Part Number
HMC954	2:1 mux	23/16	15/15	—	0.8 to 1.5	480	-3.3 or +3.3	4 × 4 LFCSP	EAR99	HMC954LC4B
HMC854	4:1 mux	28/14	16/16	4	0.7 to 1.25	510	-3.3 or +3.3	5 × 5 LFCSP	EAR99	HMC854LC5
HMC847	4:1 mux	45/22.5	11/12	3	0.25 to 0.9	1782	+3.3	5 × 5 LFCSP	EAR99	HMC847LC5
HMC955	1:2 mux with high speed invert	32/16	19/18	<3	0.5 to 1.2	644	-3.3 or +3.3	4 × 4 LFCSP	EAR99	HMC955LC4B
HMC855	1:4 demux	28/14	22/22	—	0.45 to 1.14	644	-3.3 or +3.3	5 × 5 LFCSP	EAR99	HMC855LC5
HMC848	1:4 demux	45/22.5	25/21	4	0.3 to 1.0	1782	+3.3	5 × 5 LFCSP	EAR99	HMC848LC5

Data Path Signal Conditioners

Part Number	Description	Data Rate (Gbps)	Rise/Fall Time (ps)	Dequalization Type	Differential Output Swing (V _{PPD})	DC Power Consumption (mW)	DC Power Supply (V _{DC})	Package (mm)	ECCN Code	Ordering Part Number
HMC7545	Signal conditioner	14.2	25/25	Feed forward equalizer	0.4 to 0.9	340	3.3	7 × 4 LFCSP	EAR99	HMC7545ABLP47E
HMC6545	Linear equalizer	32	16/16	Continuous time linear equalizer	0.4 to 0.96	430	2.5 or 3.3	5 × 5 LFCSP	EAR99	HMC6545LP5E

Track-and-Hold Data

Part Number	Description	Sampling Rate (Gbps/GHz)	Bandwidth (GHz)	Rank	Aperture Jitter (fs)	DC Power Consumption (mW)	DC Power Supply (V _{DC})	Package (mm)	ECCN Code	Ordering Part Number
HMC1061	Track-and-hold	4	DC to 18	Dual	<70	2340	-4.75 and +2	5 × 5 LFCSP	EAR99	HMC1061LC5
HMC760	Track-and-hold	4	DC to 5	Single	<70	1420	-4.75 and +2	4 × 4 LFCSP	EAR99	HMC760LC4B
HMC661	Track-and-hold	4	DC to 18	Single	<70	1590	-4.75 and +2	4 × 4 LFCSP	EAR99	HMC661LC4B

Digital Crosspoint Switches

Part Number	Description	Data Rate (Gbps)	Rise/Fall Time (ps)	Deterministic Jitter (ps)	Differential Output Swing (V _{PPD})	DC Power Consumption (mW)	DC Power Supply (V _{DC})	Package (mm)	ECCN Code	Ordering Part Number
HMC1027	13 × 13 crosspoint switch	14.2	22/23	0.05 to 2	0.4 to 0.8	1200	2.5 and 3.3	14 × 14 BGA	EAR99	HMC1027BG

RF Switches

SPST Switches

Part Number	Description	RF Frequency (GHz)	Insertion Loss (dB)	Isolation (dB)	Input P1dB (dB)	Input P0.1dB (dB)	Input IP3 (dBm)	Control Input (V _{cc})	Package (mm)	ECCN Code	Ordering Part Number
ADG901*	Absorptive	0 to 2.5	0.8	40	17	—	36	CMOS/LVTTL	MSOP	EAR99	ADG901BRMZ
ADG902*	Reflective	0 to 2.5	0.8	40	17	—	36	CMOS/LVTTL	MSOP	EAR99	ADG902BRMZ
HMC1055	Nonreflective	0 to 3.5	0.6	36	32	28	63	0/3	SOT-26	EAR99	HMC1055LP2CE
HMC550A	Fail-safe	0 to 6	0.7	25	—	32	52	0/2.2 to 5	SOT-26	EAR99	HMC550AE

SPDT Switches

Part Number	Description	Frequency (GHz)	Insertion Loss (dB)	Isolation (dB)	Input P1dB (dBm)	Input P0.1dB (dBm)	Input IP3 (dBm)	Control Input (V _{cc})	Package (mm)	ECCN Code	Ordering Part Number
ADG918*	Absorptive	0 to 2	0.8	43	17	—	36	CMOS/LVTTL	MSOP	EAR99	ADG918BRMZ
ADG919*	Reflective	0 to 2	0.8	43	17	—	36	CMOS/LVTTL	MSOP	EAR99	ADG919BRMZ
ADG936	Dual absorptive	0 to 2	0.9	36	16	—	32	CMOS/LVTTL	TSSOP	EAR99	ADG936BRUZ
ADG936-R	Dual reflective	0 to 2	0.9	36	16	—	32	CMOS/LVTTL	TSSOP	EAR99	ADG936BRUZ-R
HMC199A	Dual switch	0 to 2.5	0.4	25	28	27	55	0/5	MSOP	EAR99	HMC199AMS8E
HMC546	10 W, fail-safe	0.2 to 2.7	0.4	22	—	41	64	0/3 to 8	MSOP	EAR99	HMC546MS8GE
HMC546	10 W, fail-safe	0.2 to 2.7	0.3	27	—	21	45	0/3 to 8	2 × 2 DFN	EAR99	HMC546LP2E
HMC197B	Reflective	0 to 3	0.4	28	30	28	45	0/3	SOT-26	EAR99	HMC197BE
HMC194A	High isolation	0 to 3	0.5	55	30	28	53	0/5	8-lead MSOP	EAR99	HMC194AMS8E
HMC221B	Reflective	0 to 3	0.4	29	30	27	55	0/3	SOT-26	EAR99	HMC221BE
HMC190B	Reflective	0 to 3	0.4	30	30	27	55	0/3	8-lead MSOP	EAR99	HMC190BMS8E
HMC545A	Reflective	0 to 3	0.27	31	30	27	46	0/3.3 to 5	QSOP	EAR99	HMC545AE
HMC284A	Nonreflective	0 to 3.5	0.5	45	29	27	50	0/5	8-lead MSOP	EAR99	HMC284AMS8GE
ADRF5130	44 W, reflective	0.7 to 3.5	0.6	50	—	46	68	0/3.3 to 5	3 × 3 LFCSP	EAR99	ADRF5130BCPZ
HMC349A	High isolation	0 to 4	0.9	67	34	30	53	0/5	4 × 4 LFCSP	EAR99	HMC349ALP4CE
HMC349A	High isolation	0 to 4	0.9	70	34	32	53	0/5	MSOP	EAR99	HMC349AMS8GE
HMC435A	Nonreflective	0 to 4	0.8	62	30	27	54	0/5	MSOP	EAR99	HMC435AMS8GE
ADRF5160 <i>New</i>	Reflective	0.7 to 4	0.8	45	—	47	70	TTL/CMOS-compatible	5 × 5 LFCSP	EAR99	ADRF5160BCPZ-R7
ADRF5132 <i>New</i>	20 W, reflective	0.7 to 5	0.6	45	—	42.5	65	0/3.3 to 5	3 × 3 LFCSP	EAR99	ADRF5132BCPZ
HMC849A	Nonreflective	0 to 6	0.9	60	34	32	52	0/3 to 5	4 × 4 LFCSP	EAR99	HMC849ALP4CE
HMC8038	Nonreflective	0.1 to 6	0.8	60	36	35	60	0/3.3 to 5	4 × 4 LFCSP	EAR99	HMC8038LP4CE
HMC270A	Nonreflective	0 to 8	1	45	28	—	42	0/–5	MSOP	EAR99	HMC270AMS8GE
HMC232A	High isolation	0 to 12	1.5	57	30	27	47	0/–5	4 × 4 LFCSP	EAR99	HMC232ALP4E
HMC1118	Nonreflective	0 to 13	0.6	56	37	—	62	0/3.3	3 × 3 LFCSP	EAR99	HMC1118LP3DE
HMC347A	Nonreflective	0.1 to 14	2.1	46	29	—	47	0/–5	3 × 3 LFCSP	EAR99	HMC347ALP3E
HMC347A	Nonreflective	0.1 to 20	1.7	45	29	—	45	0/–5	Die	EAR99	HMC347A
HMC347B <i>New</i>	Nonreflective	0.1 to 20	1.7	45	25	—	41	—	Die	EAR99	HMC347B
HMC547A	Nonreflective	0 to 20	2	45	23	—	47	0/–5	3 × 3 LFCSP	EAR99	HMC547ALP3E
HMC547A	Nonreflective	0 to 28	1.9	45	22	—	41	0/–5	3 × 3 LFCSP	EAR99	HMC547ALC3
ADRF5020*	Nonreflective	0.1 to 30	1.4	56	27	—	50	0/3.3	3 × 3 LGA	EAR99	ADRF5020BCCZN
ADRF5021*	Nonreflective	9 kHz to 30	2	60	—	27	52	CMOS/LVTTL	3 × 3 LGA	EAR99	ADRF5021BCCZN
ADRF5026 <i>Upcoming</i>	SPDT, nonreflective	0.1 to 44	2.4	50	26	—	53	0/3.3	3 × 3 LGA	EAR99	ADRF5026BCCZN
ADRF5027 <i>Upcoming</i>	SPDT, nonreflective	9 kHz to 44	2.2	48	—	—	55	0/3.3	3 × 3 LGA	EAR99	ADRF5027BCCZN
ADRF5024 <i>New</i>	SPDT, reflective	0.1 to 44	1.4	38	—	27	50	0/3.3	2.25 × 2.25 LGA	EAR99	ADRF5024BCCZN
ADRF5025 <i>New</i>	SPDT, reflective	9 kHz to 44	1.4	36	—	27	50	0/3.3	2.25 × 2.25 LGA	EAR99	ADRF5025BCCZN
HMC986A	Reflective	0.1 to 50	1.7	36	25	21	40	0/–3	Die	EAR99	HMC986A
HMC-SDD112	Pin MMIC	55 to 86	2	30	—	—	—	–1	Die	5A991.h	HMC-SDD112
HMC646	40 W T/R	0.1 to 2.1	0.7	32	—	46	74	0/3 to 8	2 × 2 LFCSP	EAR99	HMC646LP2E
HMC574A	5 W, T/R	0 to 3	0.25	30	38	36	63	0/3 to 8	8-lead MSOP	EAR99	HMC574AMS8E
HMC595A	3 W, T/R	0 to 3	0.25	30	38	36	64	0/3 to 10	SOT-26	EAR99	HMC595AE
HMC544A	T/R	0 to 4	0.25	23	39	37	55	0/3 to 5	SOT-26	EAR99	HMC544AE
HMC784A	10 W, T/R	0.1 to 4	0.4	28	38	36	62	0/3 to 8	MSOP	EAR99	HMC784AMS8GE
HMC536	T/R	0 to 6	0.5	27	—	33	52	0/3 to 5	8-lead MSOP	EAR99	HMC536MS8GE
HMC536	T/R	0 to 6	0.7	30	—	34	52	0/3 to 5	2 × 2 DFN	EAR99	HMC536LP2E

SP3T, SP4T, SP6T, SP8T Switches

Part Number	Description	Frequency (GHz)	Insertion Loss (dB)	Isolation (dB)	Input P1dB (dBm)	Input P0.1dB (dBm)	Input IP3 (dBm)	Control Input (V _{cc})	Package (mm)	ECCN Code	Ordering Part Number
HMC245A	SP3T	0 to 2.5	0.5	44	26	24	48	TTL/CMOS	TSSOP	EAR99	HMC245AQS16E
ADG904	SP4T, absorptive	0 to 2.5	0.4	37	16	—	31	CMOS/LVTTL	TSSOP LFCSP	EAR99	ADG904BCPZ ADG904BRUZ
ADG904-R	SP4T, reflective	0 to 2.5	0.4	37	16	—	31	CMOS/LVTTL	TSSOP LFCSP	EAR99	ADG904BCPZ-R-REEL ADG904BRUZ-R
HMC252A	SP6T	0 to 3	0.8	45	24	—	47	0/3.3 to 5	QSOP	EAR99	HMC252AQS24E
HMC253A	SP8T	0 to 3.5	1.2	36	24	20	43	TTL/CMOS	4 × 4 LFCSP	EAR99	HMC253ALC4
HMC253A	SP8T	0 to 3.5	1.2	36	24	20	43	TTL/CMOS	QSOP	EAR99	HMC253AQS24E
HMC241A	SP4T	0 to 4	0.7	43	30	26	47	TTL/CMOS	3 × 3 LFCSP	EAR99	HMC241ALP3E
HMC241A	SP4T	0 to 4	0.8	41	29	26	48	TTL/CMOS	TSSOP	EAR99	HMC241AQS16E
HMC244A	SP4T	0 to 4	0.7	40	26	22	47	TTL/CMOS	Hermetic SMT	EAR99	HMC244AG16
HMC7992	SP4T	0.1 to 6	0.7	45	35	33	58	0/3.3 to 5	3 × 3 LFCSP	EAR99	HMC7992LP3DE
ADRF5250 <i>New</i>	SP5T	0.1 to 6	1.5	50	—	34	57	0/5	4 × 4 LFCSP	EAR99	ADRF5250BCPZ
HMC322A	SP8T	0 to 8	2.5	35	26	22	40	0/-5	4 × 4 LFCSP	EAR99	HMC322ALP4E
HMC344A	SP4T	0 to 8	2.1	32	28	19	44	0/-5	3 × 3 LFCSP	EAR99	HMC344ALP3E
HMC345A	SP4T	0 to 8	2.2	32	21	19	45	0/5	3 × 3 LFCSP	EAR99	HMC345ALP3E
HMC321A	SP8T	0.1 to 8	2.5	35	23	—	40	0/5	4 × 4 LFCSP	EAR99	HMC321ALP4E
ADRF5040	SP4T	~0 to 12	0.8	34	—	34	58	0/3.3	4 × 4 LFCSP	EAR99	ADRF5040
HMC641A	SP4T	0 to 18	2.1	42	25	—	41	0/-5	Die	EAR99	HMC641A
HMC641A	SP4T	0 to 20	2.3	43	22	—	38	0/-5	4 × 4 LFCSP	EAR99	HMC641ALC4
HMC641A	SP4T	0 to 20	2.3	41	22	—	36	0/-5	4 × 4 LFCSP	EAR99	HMC641ALP4E
ADRF5044 <i>New</i>	SP4T	0.1 to 30	2.9	43	28	26	50	CMOS/LVTTL	4 × 4 LGA	EAR99	ADRF5044BCCZN
HMC1084	SP4T	23 to 30	2.8	26	—	—	47	0/-3	4 × 4 LFCSP	EAR99	HMC1084LC4
ADRF5045 <i>New</i>	SP4T	~0 to 30	2.9	45	28	26	50	CMOS/LVTTL	4 × 4 LGA	EAR99	ADRF5045BCCZN
ADRF5046 <i>Upcoming</i>	SP4T, reflective	0.1 to 44	2.6	37	TBD	27	50	0/3.3	3 × 3 LGA	EAR99	ADRF5046BCCZN
ADRF5047 <i>Upcoming</i>	SP4T, reflective	9 kHz to 44 kHz	2.7	37	TBD	27	50	0/3.3	3 × 3 LGA	EAR99	ADRF5047BCCZN

Bypass, Diversity, Matrix, and Transfer

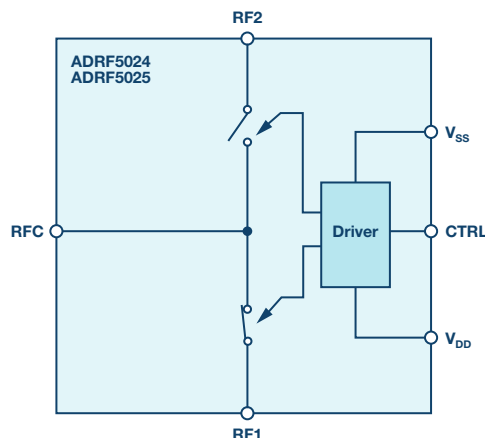
Part Number	Description	Frequency (GHz)	Insertion Loss (dB)	Isolation (dB)	Input P1dB (dBm)	Input P0.1 dB (dBm)	Input IP3 (dBm)	Control Input (V _{cc})	Package (mm)	ECCN Code	Ordering Part Number
HMC596	4 × 2 matrix	0.2 to 3	6.5	43	22	—	27	0/3 to 5	4 × 4 LFCSP	EAR99	HMC596LP4E
HMC427A	Transfer	0.1 to 12	1.6	38	30	—	47	0/5	3 × 3 LFCSP	EAR99	HMC427ALP3E

ADRF5024: 100 MHz to 44 GHz, Silicon SOI SPDT, Reflective Switch

ADRF5025: 9 kHz to 44 GHz, Silicon SOI SPDT, Reflective Switch

Key Features

- ▶ Very low insertion loss: 1.3 dB typical
- ▶ High linearity
 - 1 dB compression (P1dB): 29.4 dBm typical
 - Input third-order intercept (IP3): 50 dBm
- ▶ High isolation: 41 dB typical
- ▶ High power handling
 - 27 dBm through path
 - 27 dBm hot switching
- ▶ Fast switching time (5024/5025)
 - $t_{\text{RISE}}, t_{\text{FALL}}$ (10%, 90% RF_{OUT}): 2 ns/2.7 μ s
 - $t_{\text{ON}}, t_{\text{OFF}}$ (50% VCTL to 10%/90% RF_{OUT}): 9 ns/4 μ s typical
- ▶ Positive control of 0 V to 3.3 V
- ▶ Good return loss of 12 dB (on-state)
- ▶ No low frequency spurs
- ▶ Supply voltage of +3.3 V and -3.3 V
- ▶ 2.25 mm × 2.25 mm, 12-lead LGA package



Connectorized Modules

Connectorized Amplifier Modules

Part Number	Function	Frequency (GHz)	Gain (dB)	OIP3 (dBm)	NF (dB)	P1dB (dBm)	Bias Supply	Package/Connector Type	ECCN Code
HMC-C045	Wideband LNA	1.8 to 4.2	26	26	0.7	15.5	12 V @ 112 mA	C-10/SMA	EAR99
HMC-C048	Wideband LNA	5 to 9	22.5	25	1.75	15	12 V @ 105 mA	C-10/SMA	EAR99
HMC-C059	Wideband LNA	1 to 12	16	30	1.8	16	6 V @ 60 mA	C-10B/SMA	EAR99
HMC-C016	Wideband LNA	7 to 17	22	25	2	14	8 V @ 93 mA	C-1/SMA	EAR99
HMC-C001	Wideband LNA	2 to 20	15	25	2.5	14	12 V @ 65 mA	C-1/SMA	EAR99
HMC-C002	Wideband LNA	2 to 20	14	26	2	18	12 V @ 60 mA	C-2/SMA	EAR99
HMC-C022	Wideband LNA	2 to 20	14	27	2	16	8 V @ 75 mA	C-2B/SMA	EAR99
HMC-C017	Wideband LNA	17 to 27	18	25	3	14	8 V @ 96 mA	C-1B/2.92 mm	EAR99
HMC-C027	Wideband LNA	29 to 36	20	22	2.9	11	3 V @ 80 mA	C-10/2.92 mm	3A001.b.4.c
HMC-C004	Wideband driver	0.01 to 20	16	33	3	23	12 V @ 195 mA	C-3/SMA	3A001.b.4.f
HMC-C024	Wideband driver	0.01 to 20	15	30	3	23	12 V @ 225 mA	C-3B/SMA	3A001.b.4.f
HMC-C038	Wideband driver	2 to 35	12	29	3	18	11 V @ 92 mA	C-10/2.92 mm	3A001.b.4.c
HMC-C074	Wideband PA	0.01 to 6.0	13	40	5	29.5	-5 V @ 5 mA,	C-17/SMA	EAR99
HMC-C075	Wideband PA	0.01 to 6.0	24	42	5	29.5	-5 V @ 5 mA,	C-17/SMA	EAR99
HMC-C036	Wideband PA	0.01 to 15	12	36	4	28	11 V @ 360 mA	C-10B/SMA	3A001.b.4.f
HMC-C037	Wideband PA	0.01 to 15	12	36	4	28	11 V @ 360 mA	C-12/SMA	3A001.b.4.f
HMC6980	Wideband PA	0.01 to 20	12	28	4.5	28	11 V @ 345 mA	C-10B/SMA	EAR99
HMC-C582	Wideband PA	0.1 to 20	20	34	5	26	15 V @ 700 mA	Contact factory	EAR99
HMC-C003	Wideband PA	2 to 20	15	34	4	26	12 V @ 310 mA	C-2/SMA	3A001.b.4.f
HMC-C023	Wideband PA	2 to 20	15	34	4	26	12 V @ 310 mA	C-2B/SMA	3A001.b.4.f
HMC-C026	Wideband PA	2 to 20	31	33	3	26	12 V @ 400 mA	C-3B/SMA	3A001.b.4.f
HMC-C020	Wideband PA	17 to 24	22	33	3.5	24	8 V @ 250 mA	C-10/2.92 mm	EAR99
HMC-C021	Wideband PA	21 to 31	15	32	5	24	8 V @ 215 mA	C-10/2.92 mm	3A001.b.4.c
HMC7891	Limiting amplifier	2 to 18	45	—	3.5	11	8 V @ 300 mA	Contact factory	EAR99

Connectorized High Power Amplifier Modules

Part Number	Function	RF Frequency (GHz)	Power (W)	CW or Pulsed	ECCN Code
HMC7748	High power amp	2 to 6	25	CW	EAR99
HMC7885	High power amp	2 to 6	32	CW	3A001.b.2.a.4
HMC8113	High power amp	2 to 6	50	CW	3A001.b.4.a.4
HMC8114	High power amp	5.8 to 18	90	CW	3A001.b.4.a.4
HMC7054	High power amp	29 to 31	10	CW	5A991.b

Connectorized Low Phase Noise Amplifier Modules

Part Number	Function	Frequency (GHz)	Gain/NF (dB)	OIP3 (dBm)	10 kHz Phase Noise (dBc/Hz)	P1dB/P _{SAT} (dBm)	Bias Supply	Package/Connector Type	ECCN Code
HMC-C077	Low phase noise	1.5 to 5.0	14/4.5	26.5	-171	17/22	7 V @ 170 mA	C-16/SMA	EAR99
HMC-C079	Low phase noise	3 to 8	42/984	33	-168	22/25	7 V @ 300 mA	C-16/SMA	EAR99
HMC-C072	Low phase noise	6 to 12	11/4.5	34	-176	20/22	7 V @ 170 mA	C-16/SMA	EAR99
HMC-C076	Low phase noise	7 to 11	42/984	33	-170	22/25	7 V @ 300 mA	C-16/SMA	EAR99
HMC-C050	Low phase noise	2 to 18	13.5/5	22.5	-160	15/18.5	5 V @ 80 mA	C-1/SMA	EAR99

Connectorized Switches—SPST, SPDT, and SP4T

Part Number	Function	Frequency (GHz)	Insertion Loss (dB)	Isolation (dB)	Input P1dB (dBm)	Switching Speed (ns)	Package/Connector Type	ECCN Code
HMC-C058	SPDT, high isolation	DC to 18	2	55	27	3	C-14/SMA	EAR99
HMC-C019	SPST, high isolation	DC to 20	3	100	23	8.5	C-9/SMA	EAR99
HMC-C011	SPDT, high isolation	DC to 20	2	40	23	5	C-5/SMA	EAR99
HMC-C071	SP4T, high isolation	DC to 20	3	40	24	14	C-15/SMA	EAR99
HMC-C583	SPST NR, high isolation	0.1 to 40	7	50	21	10	Contact factory	EAR99

Connectorized Attenuators—Digital and Analog

Part Number	Function	Frequency (GHz)	Loss (dB)	Attenuation Range (dB)	IIP3 (dBm)	Control Input (V _{DC})	Package/Connector	ECCN Code
HMC-C053	Analog VWA	DC to 20	5.5	35	10	-5	C-10/SMA	EAR99
HMC-C018	6-bit DATT	DC to 13	3.6	0.5 to 31.5	32	Serial/CMOS	C-6/SMA	EAR99
HMC-C025	6-bit DATT	DC to 13	3.2	0.5 to 31.5	38	0/5	C-6/SMA	EAR99
HMC-C584	6-bit DATT	0.1 to 40	7	31	38	CMOS	C-6/SMA	EAR99

Connectorized Block Upconverters

Part Number	Function	Frequency (GHz)	IF Frequency (GHz)	Conversion Gain (dB)	Spurious Rejection (dBc)	Power Output	Package	ECCN Code
HMC7053	Ka-band upconverter	29 to 31	1 to 2	20	-60	2 dBm (P1dB)	Module	5A991.b
HMC7056	Ka-band upconverter with HPA	29 to 31	1 to 2	65	-60	37 dBm (PLINEAR)	Module	5A991.b

Connectorized Frequency Dividers (Prescalers)

Part Number	Function	Input Frequency (GHz)	Input Power (dBm)	Output Power (dBm)	100 kHz SSB Phase Noise (dBc/Hz)	Bias Supply	Package/Connector Type	ECCN Code
HMC-C039	Divide-by-5	0.5 to 8	-15 to +10	-1	-155	5 V @ 80 mA	C-1/SMA	3A001.a.11.b
HMC-C040	Divide-by-10	0.5 to 17	-15 to +10	-1	-155	5 V @ 152 mA	C-1/SMA	3A001.a.11.b
HMC-C005	Divide-by-2	DC to 18	-15 to +10	-4	-150	5 V @ 75 mA	C-1/SMA	3A001.a.11.b
HMC-C006	Divide-by-4	DC to 18	-15 to +10	-4	-150	5 V @ 93 mA	C-1/SMA	3A001.a.11.b
HMC-C007	Divide-by-8	DC to 18	-15 to +10	-4	-150	5 V @ 98 mA	C-1/SMA	3A001.a.11.b

Connectorized Frequency Multipliers—Active

Part Number	Function	Input Frequency (GHz)	Output Frequency (GHz)	Input Power (dBm)	Output Power (dBm)	100 kHz SSB Phase Noise (dBc/Hz)	Package/Connector Type	ECCN Code
HMC-C031	×2 active	3 to 5	6 to 10	3	17	-140	C-10/SMA	EAR99
HMC-C056	×2 active	4.0 to 10.5	8 to 21	6	14	-142	C-10/SMA	EAR99
HMC-C032	×2 active	9.0 to 14.5	18 to 29	3	16	-132	C-10/2.92 mm	EAR99
HMC-C033	×2 active	12.0 to 16.5	24 to 33	3	17	-132	C-10/2.92 mm	EAR99
HMC-C034	×2 active	16 to 23	32 to 46	3	13	-130	C-10/2.92 mm	EAR99

Connectorized I/Q Mixers

Part Number	Function	RF/LO Frequency (GHz)	IF Frequency (GHz)	Conversion Gain (dB)	Image Rejection (dB)	IIP3 (dBm)	Package/Connector Type	ECCN Code
HMC-C009	I/Q mixer/IRM	4 to 8.5	DC to 3.5	-7.5	35	23	C-4/SMA	EAR99
HMC-C041	I/Q mixer/IRM	6 to 10	DC to 3.5	-7.5	35	25	C-4/SMA	EAR99
HMC-C042	I/Q mixer/IRM	8.5 to 13.5	DC to 2	-8	28	25	C-4/SMA	EAR99
HMC-C043	I/Q mixer/IRM	11 to 16	DC to 3.5	-9	30	28	C-4/SMA	EAR99
HMC-C044	I/Q mixer/IRM	15 to 23	DC to 3.5	-8	30	25	C-4/2.92 mm and SMA	EAR99
HMC-C046	I/Q mixer/IRM	20 to 31	DC to 4.5	-10	24	22.5	C-4B/2.92 mm and SMA	EAR99
HMC-C047	I/Q mixer/IRM	30 to 38	DC to 3.5	-10.5	15	19	C-4/2.92 mm and SMA	EAR99

Connectorized Mixers

Part Number	Function	RF Frequency (GHz)	IF Frequency (GHz)	Conversion Gain (dB)	LO/RF Isolation (dB)	IIP3 (dBm)	Package/Connector Type	ECCN Code
HMC-C049	Double balanced, 13 dBm LO	7 to 14	DC to 5	-7	48	20	C-11/SMA	EAR99
HMC-C051	Double balanced, 13 dBm LO	11 to 20	DC to 6	-7	43	18	C-11/2.92 mm and SMA	EAR99
HMC-C014	Double balanced, 13 dBm LO	16 to 32	DC to 8	-8	35	19	C-11/2.92 mm and SMA	EAR99
HMC-C035	Double balanced, 13 dBm LO	23 to 37	DC to 13	-9	35	19	C-11/2.92 mm and SMA	EAR99
HMC-C015	Double balanced, 13 dBm LO	24 to 38	DC to 8	-8.5	35	20	C-11/2.92 mm and SMA	EAR99

Connectorized Phase Shifters—Analog

Part Number	Function	Frequency (GHz)	Insertion Loss (dB)	Phase Range (°)	2 nd Harmonic PIN = 10 dBm (dBc)	Control Voltage Range (VDC)	Package/Connector Type	ECCN Code
HMC-C010	Analog	6 to 15	7	750 @ 6 GHz, 450 @ 15 GHz	40	0 V to 5 V	C-1/SMA	EAR99

Connectorized Successive Detection Log Video Amplifiers (SDLVAs)

Part Number	Function	Frequency (GHz)	Dynamic Range (dB)	RSSI Slope (mV/dB)	RF Threshold Level (dBm)	Bias Supply	Package/Connector Type	ECCN Code
HMC-C088	SDLVA	1 to 20	59	14	-54	7 V to 16 V @ 86 mA	C-10	EAR99

Connectorized Dielectric Resonator Oscillators (DROs)

Part Number	Function	Frequency (GHz)	Output Power (dBm)	10 kHz SSB Phase Noise (dBc/Hz)	100 kHz SSB Phase Noise (dBc/Hz)	Frequency Drift (ppm/°C)	Bias Supply	Package/Connector Type	ECCN Code
HMC-C200	Dielectric resonator oscillator	8.0 to 8.3	14.5	-122	-140	2	6 V to 15 V @ 125 mA	C-18/SMA	EAR99

Connectorized Voltage Controlled Oscillators (VCOs)

Part Number	Function	Frequency (GHz)	Output Power (dBm)	10 kHz SSB Phase Noise (dBc/Hz)	100 kHz SSB Phase Noise (dBc/Hz)	Bias Supply	Package/Connector Type	ECCN Code
HMC-C028	Wideband VCO	4 to 8	20	-75	-95	12 V @ 185 mA	C-1/SMA	EAR99
HMC-C029	Wideband VCO	5 to 10	20	-64	-93	12 V @ 195 mA	C-1/SMA	EAR99
HMC-C030	Wideband VCO	8 to 12.5	21	-59	-83	12 V @ 195 mA	C-1/SMA	EAR99
HMC-C073	VCO	38.4 to 43.2	13	-74	-98	5 V @ 350 mA	C-19/2.4 mm	EAR99

Connectorized Synthesized Solutions—MicroSynth

Part Number	Function	Frequency (GHz)	Minimum Step Size Resolution (Hz)	Reference Frequency (MHz)	SSB Phase Noise @ 100 kHz Offset (dBc/Hz)	Output Power (dBm)	Bias Supply	Package/Connector Type	ECCN Code
HMC-C083	MicroSynth synthesizer	2 to 6	0.6	10	-93	17	20 V @ 7 mA, 6 V @ 330 mA	C-20/SMA	EAR99
HMC-C070	MicroSynth synthesizer	5.5 to 10.5	1.2	10	-92	21	20 V @ 20 mA, 6 V @ 300 mA, 3.6 V @ 100 mA	C-20/SMA	EAR99

Phase Shifters and Vector Modulators

Analog Phase Shifters

Part Number	Description	Frequency (GHz)	Loss (dB)	Phase Range @ Min Frequency (°)	Phase Range @ Max Frequency (°)	2 nd Harmonic @ Pin = -10 dBm (dBc)	Input IP3 (dBm)	Control Voltage Range (V)	Package (mm)	ECCN Code	Ordering Part Number
HMC247	Analog phase shifter	5 to 18	4	400	120	-80	32	0 to -10	Die	EAR99	HMC247
HMC877	Analog time delay/phase shifter	8 to 23	—	504	485	-35	—	2.7 to 3.9	3 × 3 SMT	EAR99	HMC877LC3

Digital Phase Shifters

Part Number	Description	Frequency (GHz)	Loss (dB)	Phase Range Frequency (°)	Phase Adjust Resolution	RMS Phase Error (°)	Input IP3 (dBm)	Input P1dB (dBm)	Package (mm)	ECCN Code	Ordering Part Number
HMC936A*	6-bit digital phase shifter	1.2 to 1.4	5	360	6-bit, 5.625°	1.2	45	29	6 × 6 LFCSP	EAR99	HMC936ALP6E
HMC648A*	6-bit digital phase shifter	2.9 to 3.9	5	360	6-bit, 5.625°	1.2	45	31	6 × 6 LFCSP	EAR99	HMC648ALP6E
HMC649A*	6-bit digital phase shifter	3 to 6	8	360	6-bit, 5.625°	4	40	31	6 × 6 LFCSP	EAR99	HMC649ALP6E
HMC1133	6-bit digital phase shifter	5 to 6	5	360	6-bit, 5.625°	2.8	46	30	5 × 5 LFCSP	EAR99	HMC1133LP5E
HMC543A	4-bit digital phase shifter	8 to 12	6.5	360	4-bit, 22.5°	4	40	24.5	4 × 4 LFCSP	EAR99	HMC543ALC4B
HMC642A	6-bit digital phase shifter	9 to 12.5	7	360	6-bit, 5.625°	4.5	35	30	5 × 5 LFCSP	EAR99	HMC642ALC5
HMC644A	5-bit digital phase shifter	15 to 18.5	7.5	360	5-bit, 11.25°	3.5	40	23	5 × 5 LFCSP	EAR99	HMC644ALC5
HMC647A*	6-bit digital phase shifter	2.5 to 31	4	360	6-bit, 5.625°	1.5	50	31	6 × 6 LFCSP	EAR99	HMC647ALP6E

Vector Modulators

Part Number	Description	Frequency (GHz)	I/Q Bandwidth (MHz)	Noise Floor (dBm/Hz)	Gain Range (dB)	Phase Range (°)	Input IP3 (dBm)	P1dB (dBm)	V _s (V)	I _{sv} (mA)	Package (mm)	ECCN Code	Ordering Part Number
HMC630	Vector modulator	0.7 to 1	180	-162	40	360	34	17	8	92	3 × 3 LFCSP	EAR99	HMC630LP3E
AD8340	Vector modulator	0.7 to 1	230	-149	—	360	—	11	5	130	4 × 4 LFCSP	5A991.b	AD8340ACPZ-WP
HMC500	Vector modulator	1.8 to 2.2	150	-162	40	360	33	16	8	90	3 × 3 LFCSP	EAR99	HMC500LP3E
ADL5390	Vector modulator	0.2 to 2.4	230	-150	—	360	—	13	5	130	4 × 4 LFCSP	5A991.b	ADL5390ACPZ-REEL7
AD8341	Vector modulator	1.5 to 2.4	230	-151	—	360	—	8.5	5	130	4 × 4 LFCSP	5A991.b	AD8341ACPZ-WP
HMC631	Vector modulator	1.8 to 2.7	160	-160	40	360	35	21	8	93	3 × 3 LFCSP	EAR99	HMC631LP3E

Analog Multipliers

Part Number	Description	Frequency (GHz)	Dynamic Range (dB)	Accuracy (dB)	Response Time (ns)	V _s (V)	I _{sv} (mA)	Package (mm)	ECCN Code	Ordering Part Number
ADL5391	RF/IF multiplier	0 to 2	60	±0.2	60	4.75 to 5.5	135	3 × 3 LFCSP	5A991.b	ADL5391ACPZ-WP

* = X-Microwave

Timing ICs and Clocks

Clock Dividers and Distribution

Part Number	Clock Function	Configuration/ Programming Interface	Number of Outputs	Output Frequency	Output Logic	Power Dissipation (W)	Input Frequency	Package (mm)	ECCN Code	Ordering Part Number
AD9513	Distribution	Pin select	3	250	CMOS, LVDS	0.46	0 to 1600	5 × 5 LFCSP	EAR99	AD9513BCPZ-REEL7
LTC6954-1	Distribution	SPI	3	1400	LVPECL	1	1 to 1400	4 × 7 LFCSP	EAR99	LTC6954IUHF-1#TRPBF
LTC6954-2	Distribution	SPI	3	1400	CMOS, LVDS, LVPECL	0.94	1 to 1400	4 × 7 LFCSP	EAR99	LTC6954IUHF-2#TRPBF
LTC6954-3	Distribution	SPI	3	1400	CMOS, LVDS, LVPECL	0.9	1 to 1400	4 × 7 LFCSP	EAR99	LTC6954IUHF-3#TRPBF
LTC6954-4	Distribution	SPI	3	1400	CMOS, LVDS	0.9	1 to 1400	4 × 7 LFCSP	EAR99	LTC6954IUHF-4#TRPBF
AD9515	Distribution	Pin select	2	1600	CMOS, LVDS, LVPECL	0.37	0 to 1600	5 × 5 LFCSP	EAR99	AD9515BCPZ-REEL7
HMC7043	Distribution	SPI	14	3200	CMOS, LVDS, LVPECL, CML	1.5	200 to 6000	7 × 7 LFCSP	EAR99	HMC7043LP7FE
HMC6832	Distribution	Pin select	8	3500	LVDS, LVPECL	0.5	10 to 3500	5 × 5 LFCSP	EAR99	HMC6832ALP5LE
LTC6953 <i>Upcoming</i>	Clock distribution with sync	SPI	11	4500	CML	1.8	LF to 4500	7 × 8 LFCSP	EAR99	LTC6953IUKG#TRPBF

Multioutput Clock Generators

Part Number	Supply Voltage (V)	Number of Reference Inputs	Number of Outputs	Number of Dividers	Number of Delay Lines	On-Chip VCO or DCO	Max Output Frequency (MHz)	Output Logic	Wideband Random Jitter (ps rms)	I/O Interface	Package (mm)	ECCN Code	Ordering Part Number
AD9522-0	3.3	2	24/12	4	0	Yes	800	LVDS, CMOS	<0.4	Serial with EEPROM	64-lead LFCSP	EAR99	AD9522-0BCPZ-REEL7
AD9523	3.3	2	14	14	0	Yes	1000	CMOS, HSTL, LVDS, LVPECL	0.225	Serial	72-lead LFCSP	EAR99	AD9523BCPZ-REEL7
AD9524	3.3	2	6	6	0	Yes	1000	CMOS, HSTL, LVDS, LVPECL	0.225	Serial	48-lead LFCSP	EAR99	AD9524BCPZ-REEL7
AD9510	3.3	1	8	8	2	No	1200	CMOS, LVDS, LVPECL	0.225	Serial	64-lead LFCSP	EAR99	AD9510BCPZ-REEL7
AD9511	3.3	1	5	5	1	No	1200	CMOS, LVDS, LVPECL	0.225	Serial	48-lead LFCSP	EAR99	AD9511BCPZ-REEL7
LTC6950	3.3	1	5	5	0	No	1400	CMOS, LVDS, LVPECL	0.115	Serial	48-lead LFCSP	EAR99	LTC6950IUHH#TRPBF
AD9516-4	3.3	2	14	5	4	Yes	1800	CMOS, LVDS, LVPECL	<0.4	Serial	64-lead LFCSP	EAR99	AD9516-4BCPZ-REEL7
AD9517-4	—	—	—	—	—	—	1800	—	—	—	—	EAR99	AD9517-4ABCPZ-RL7
AD9518-4	—	—	—	—	—	—	1800	—	—	—	—	EAR99	AD9518-4ABCPZ-RL7
AD9516-3	3.3	2	14	5	4	Yes	2250	CMOS, LVDS, LVPECL	<0.4	Serial	64-lead LFCSP	EAR99	AD9516-3BCPZ-REEL7
AD9517-3	—	—	—	—	—	—	2250	—	—	—	—	EAR99	AD9517-3ABCPZ-RL7
AD9518-3	—	—	—	—	—	—	2250	—	—	—	—	EAR99	AD9518-3ABCPZ-RL7
AD9520-3	—	—	—	—	—	—	1800, 2250	—	—	—	—	EAR99	AD9520-3BCPZ-REEL7
AD9516-2	3.3	2	14	5	4	Yes	2335	CMOS, LVDS, LVPECL	<0.4	Serial	64-lead LFCSP	EAR99	AD9516-2BCPZ-REEL7
AD9517-2	—	—	—	—	—	—	2335	—	—	—	—	EAR99	AD9517-2ABCPZ-RL7
AD9518-2	—	—	—	—	—	—	2335	—	—	—	—	EAR99	AD9518-2ABCPZ-RL7
AD9520-2	—	—	—	—	—	—	2335	—	—	—	—	EAR99	AD9520-2BCPZ-REEL7
AD9516-5	3.3	2	14	5	4	No	2400	CMOS, LVDS, LVPECL	<0.4	Serial	64-lead LFCSP	EAR99	AD9516-5BCPZ-REEL7
AD9520-5	—	—	—	—	—	No	2400	—	—	—	—	EAR99	AD9520-5BCPZ-REEL7
LTC6951	3.3/5	1	5	5	0	Yes	2500	LVDS, CML	0.105	Serial	40-lead LFCSP	EAR99	LTC6951IUHF#TRPBF
AD9517-1	—	—	—	—	—	—	2650	—	—	—	—	EAR99	AD9517-1ABCPZ-RL7
AD9516-1	3.3	2	14	5	4	Yes	2650	CMOS, LVDS, LVPECL	<0.4	Serial	64-lead LFCSP	EAR99	AD9516-1BCPZ-REEL7
AD9518-1	—	—	—	—	—	—	2650	—	—	—	—	EAR99	AD9518-1ABCPZ-RL7
AD9520-1	3.3	1	12	4	4	Yes	2650	LVPECL, CMOS	0.33	Serial	9 × 9 LFCSP	EAR99	AD9520-1BCPZ-REEL7
LTC6951-1	3.3/5	1	5	5	5	Yes	2700	LVDS, CML	0.115	Serial	5 × 7 LFCSP	EAR99	LTC6951IUHF-1#TRPBF
AD9516-0	3.3	1	14	5	5	No	2950	CMOS, LVDS, LVPECL	<0.4	Serial	9 × 9 LFCSP	EAR99	AD9516-0BCPZ-REEL7
AD9517-0	3.3	1	12	4	4	Yes	2950	CMOS, LVDS, LVPECL	0.275	Serial	7 × 7 LFCSP	EAR99	AD9517-0ABCPZ-RL7
AD9518-0	3.3	1	3	3	3	Yes	2950	LVPECL	0.225	Serial	7 × 7 LFCSP	EAR99	AD9518-0ABCPZ-RL7

Multioutput Clock Generators (Continued)

Part Number	Supply Voltage (V)	Number of Reference Inputs	Number of Outputs	Number of Dividers	Number of Delay Lines	On-Chip VCO or DCO	Max Output Frequency (MHz)	Output Logic	Wideband Random Jitter (ps rms)	I/O Interface	Package (mm)	ECCN Code	Ordering Part Number
AD9520-0	3.3	1	12/24	4	4	Yes	2950	LVPECL, CMOS	0.225	Serial with EEPROM	9 × 9 LFCSP	EAR99	AD9520-0BCPZ-REEL7
HMC7044	3.3	4	14	14	14	Yes	3200	CMOS, LVDS, LVPECL	0.044	Serial	10 × 10 LFCSP	EAR99	HMC7044LP10BETR
AD9525	3.3	3	9	0	0	No	3600	LVPECL, CMOS	0.08	Serial	7 × 7 LFCSP	EAR99	AD9525BCPZ-REEL7
AD9522-1	3.3	1	12/24	4	4	Yes	2650	LVPECL, CMOS	0.08	Serial with EEPROM	9 × 9 LFCSP	EAR99	AD9522-1BCPZ-REEL7
AD9522-2	3.3	1	12/24	4	4	Yes	2400	LVPECL, CMOS	0.242	Serial with EEPROM	9 × 9 LFCSP	EAR99	AD9522-2BCPZ-REEL7
AD9522-3	3.3	1	12/24	4	4	Yes	2250	LVPECL, CMOS	0.242	Serial with EEPROM	9 × 9 LFCSP	EAR99	AD9522-3BCPZ-REEL7
AD9522-4	3.3	1	12/24	4	4	Yes	1800	LVPECL, CMOS	0.242	Serial with EEPROM	9 × 9 LFCSP	EAR99	AD9522-4BCPZ-REEL7
AD9522-5	3.3	1	12/24	4	4	No	2400	LVPECL, CMOS	0.242	Serial with EEPROM	9 × 9 LFCSP	EAR99	AD9522-5BCPZ-REEL7
AD9523-1	3.3	2	14/29	14	14	Yes	3100	LVPECL, LVCMOS	0.124	Serial with EEPROM	10 × 10 LFCSP	EAR99	AD9523-1BCPZ-REEL7
LTC6952 Upcoming	3.3/5	1	11	11	11	No	4500	CML	0.065	Serial with sync	7 × 8 LFCSP	EAR99	LTC6952IUKG#PBF

Clock Generators and Synchronizers

Part Number	Supply Voltage (V)	Number of Reference Inputs	Number of Outputs	Number of Dividers	Number of Delay Lines	On-Chip VCO or DCO	Max Output Frequency (MHz)	Output Logic	Wideband Random Jitter (ps rms)	I/O Interface	Package (mm)	ECCN Code	Ordering Part Number
AD9547	1.8, 3.3	2	2	2	1	Yes	450	LVDS, LVPE	0.7	Serial	64-lead LFCSP	EAR99	AD9547BCPZ-REEL7
AD9548	1.8, 3.3	8	8	4	1	Yes	450	LVDS, LVPECL, CMOS	0.7	Serial	88-lead LFCSP	EAR99	AD9548BCPZ-REEL7
AD9549	1.8, 3.3	2	2	1	0	Yes	750	CMOS, HSTL	0.6	Serial	64-lead LFCSP	EAR99	AD9549BCPZ-REEL7
AD9550	1.8, 3.3	1	2	2	0	Yes	810	LVPECL, LV	0.5	N/A	32-lead LFCSP	EAR99	AD9550BCPZ-REEL7
AD9553	1.8, 3.3	3	2	2	0	Yes	810	LVDS, LVPE	0.5	Serial	32-lead LFCSP	EAR99	AD9553BCPZ-REEL7
AD9552	1.8, 3.3	2	2	2	0	Yes	900	LVDS, LVPE	0.5	Serial	32-lead LFCSP	EAR99	AD9552BCPZ-REEL7
AD9557	1.8, 3.3	2	2	2	0	Yes	1250	HSTL, LVDS	0.5	Serial	40-lead LFCSP	EAR99	AD9557BCPZ-REEL7
AD9558	1.8, 3.3	4	6	4	0	Yes	1250	HSTL, LVDS	0.5	Serial	64-lead LFCSP	EAR99	AD9558BCPZ-REEL7
AD9559	1.8, 3.3	4	4	4	0	Yes	1250	HSTL, LVDS	0.5	Serial	72-lead LFCSP	EAR99	AD9559BCPZ-REEL7

Clock Buffers

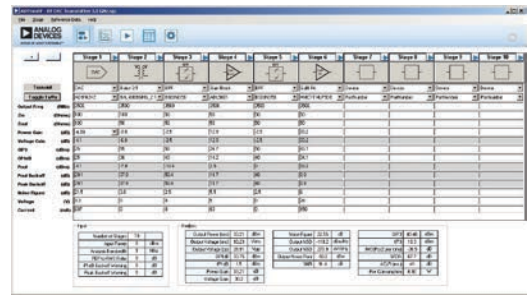
Part Number	Supply Voltage (V)	Number of Inputs	Number of Outputs	Max Output Frequency (MHz)	Output Logic	Wideband Random Jitter (ps rms)	I/O Interface	Package (mm)	ECCN Code	Ordering Part Number
LTC6957-1	3.3	1	2	300	LVPECL	0.12	—	12-lead QFN, LFCSP	EAR99	LTC6957IDD-1#TRPBF
LTC6957-2	3.3	1	2	300	LVDS	0.12	—	12-lead QFN, LFCSP	EAR99	LTC6957IDD-2#TRPBF
LTC6957-3	3.3	1	2	300	CMOS	0.12	—	12-lead QFN, LFCSP	EAR99	LTC6957IDD-3#TRPBF
LTC6957-4	3.3	1	2	300	CMOS	0.12	—	12-lead QFN, LFCSP	EAR99	LTC6957IDD-4#TRPBF
ADCLK854	1.8	2	12	1200	LVDS, CMOS	0.15	—	48-lead LFCSP	EAR99	ADCLK854BCPZ-REEL7
ADCLK846	1.8	1	6	1200	LVDS, CMOS	0.15	—	24-lead LFCSP	EAR99	ADCLK846BCPZ-REEL7

Clock Buffers (Continued)

Part Number	Supply Voltage (V)	Number of Inputs	Number of Outputs	Max Output Frequency (MHz)	Output Logic	Wideband Random Jitter (ps rms)	I/O Interface	Package (mm)	ECCN Code	Ordering Part Number
HMC6832	2.5 or 3.3	2	8	3500	LVDS, LVPECL	0.01	Pin select	28-lead LFCSP	EAR99	HMC6832ALP5LE
ADCLK946	3.3	1	6	4800	LVPECL	0.075	—	24-lead LFCSP	EAR99	ADCLK946BCPZ-REEL7
ADCLK954	3.3	2	12	4800	LVPECL	0.075	—	40-lead LFCSP	EAR99	ADCLK954BCPZ-REEL7
ADCLK905	2.5 to 3.3	1	1	6000	ECL, PECL, LVPECL	0.06	—	16-lead LFCSP	EAR99	ADCLK905BCPZ-WP
ADCLK907	2.5 to 3.3	2	2	6000	ECL, PECL, LVPECL	0.06	—	16-lead LFCSP	EAR99	ADCLK907BCPZ-WP
ADCLK925	2.5 to 3.3	1	2	6000	ECL, PECL, LVPECL	0.06	—	16-lead LFCSP	EAR99	ADCLK925BCPZ-WP
ADCLK914	3.3	1	1	7500	HVDS, CML	0.11	—	16-lead LFCSP	EAR99	ADCLK914BCPZ-WP
LTC6955 <i>Upcoming</i>	3.3	1	11	7500	CML	0.045	Pin select	52-lead 7 × 8 LFCSP	EAR99	LTC6955IUQG#TRPBF
LTC6955-1 <i>Upcoming</i>	3.3	1	10/1	7500	CML	0.045	Pin select	52-lead 7 × 8 LFCSP	EAR99	LTC6955IUQG-1#TRPBF
HMC987	3.3	1	9	8000	LVPECL, LVDS, CML, CMOS	0.05	Serial	32-lead 5 × 5 LFCSP	EAR99	HMC987LP5E

RF Design Tools

ADI supports its broad product portfolio with a comprehensive suite of design tools. These tools reduce design risk and time to market by making the overall RF-to-digital design process simpler, faster, more accurate, and more robust.



ADIsimRF

ADIsimRF™ provides calculations for the most important parameters within the RF signal chain, including cascaded gain, noise figure, IP3, P1dB, and total power consumption.

Visit analog.com/adisimrf

ADIsimPLL

ADIsimPLL™ enables the rapid and reliable evaluation of ADI's high performance PLL synthesizers. It is the most comprehensive PLL design tool available today. It performs simulations of all key nonlinear effects that impact PLL performance and removes iterations from the design process, thereby speeding design times.

Visit analog.com/adisimpll

ADIsimFrequencyPlanner

ADIsim FrequencyPlanner enables fast, accurate simulation and elimination of integer boundary spurs from Analog Devices PLL synthesizers. The tool analyzes the user's output requirements, and then optimizes the PFD frequency for each output step to give the best integer boundary spur performance. The optimum PFD frequency is selected by changing the output divider of the clock generation chip and changing the reference input divider of the PLL/VCO.

Visit analog.com/adisimfrequencyplanner

ADIsimCLK

Developed specifically for ADI's range of ultralow jitter clock distribution and clock generation products, ADIsimCLK™ allows users to rapidly develop, evaluate, and optimize designs. It enables direct modification of parameters, such as loop bandwidth, divide ratios, phase offsets, and output frequencies, and shows the performance effects of the changes in real time.

Visit analog.com/adisimclk

Virtual Eval

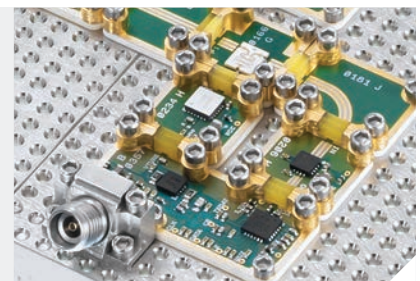
Virtual Eval™ accurately models the typical performance characteristics of many of ADI's high speed converters. It reproduces the errors associated with both static and dynamic features such as ac linearity, clock jitter, and many other product specific anomalies.

Visit analog.com/virtualeval

X-Microwave

We have partnered with X-Microwave to offer a broad range of our RF components in X-MWblock™ drop-in modules. Models are provided in a free online system simulator powered by Keysight's Genesys Spectrasys, as well as in an online mechanical layout tool for quick, Lego-like layout and rapid prototyping—facilitating fast development time.

Visit ez.analog.com/community/partnerzone/x-microwave



Why ADI?

We're the Only Company in the Industry That Offers You the Benefits of a Complete Signal Chain Solution



Quicker Time to Market



**Software, Tools, and Support
Beyond Just Components**



**Reduced Supply Chain
Management Costs with
ADI as Your Single Supplier**



**Improved Experience with
Single Point of Contact**

We Have the Broadest Selection of High Performance, High Frequency, and Wideband Parts



**Industry-Leading
Performance to Engineer
the Next Generation of
Breakthrough Applications**



**Easier to Find the Right
Part to Fit Your Specific
Design Needs**



**Wideband and Integrated
Parts Simplify Your Design
and Reduce BOM Cost**

We Offer the Proven Quality and the Reliability of an Industry Leader



Index

AD831	21	AD9517-4	56	ADF4153	34	ADL5243	18	ADRF6518	18	HMC305S	19
AD8283	32	AD9518-0	56	ADF4153A	34	ADL5246	18	ADRF6520	5, 18	HMC306A	19
AD8284	32	AD9518-1	56	ADF4154	34	ADL5320	13	ADRF6601	25	HMC311	13
AD8302	45	AD9518-2	56	ADF4155	34	ADL5321	13	ADRF6602	25	HMC313	13
AD8306	45	AD9518-3	56	ADF4156	34	ADL5324	3	ADRF6603	25	HMC321A	51
AD8306	45	AD9518-4	56	ADF4157	34	ADL5330	18	ADRF6604	25	HMC322A	51
AD8307	45	AD9520-0	57	ADF4158	31, 34	ADL5331	18	ADRF6612	25	HMC326	13
AD8307	45	AD9520-1	56	ADF4159	31, 34	ADL5335	5, 18	ADRF6614	25	HMC327	14
AD8309	45	AD9520-2	56	ADF4169	34	ADL5336	18	ADRF6620	25	HMC329A	23
AD8310	45	AD9520-3	56	ADF4193	34	ADL5350	22	ADRF6655	25	HMC337	23
AD8312	45	AD9520-5	56	ADF4196	34	ADL5353	21	ADRF6658	25	HMC338	23
AD8313	45	AD9522-0	56	ADF4212L	34	ADL5354	21	ADRF6701	29	HMC339	24
AD8314	45	AD9522-1	57	ADF4252	34	ADL5355	21	ADRF6702	29	HMC341	12
AD8317	46	AD9522-2	57	ADF4350	36	ADL5356	21	ADRF6703	29	HMC342	12
AD8318	45	AD9522-3	57	ADF4351	36	ADL5357	21	ADRF6704	29	HMC344A	51
AD8319	46	AD9522-4	57	ADF4355	36	ADL5358	21	ADRF6720	29	HMC345A	51
AD8340	55	AD9522-5	57	ADF4355-2	36	ADL5363	21	ADRF6720-27	29	HMC346A	6, 19
AD8341	55	AD9523	56	ADF4355-3	36	ADL5365	21	ADRF6750	29	HMC347A	50
AD8342	22	AD9523-1	57	ADF4356	8, 36	ADL5367	21	ADRF6755	29	HMC347B	8, 50
AD8343	21	AD9524	56	ADF4360-0	35	ADL5369	21	ADRF6780	7, 25, 28	HMC349A	50
AD8344	21	AD9525	57	ADF4360-1	35	ADL5370	28	ADRF6801	29	HMC356	11
AD8345	28	AD9547	57	ADF4360-2	35	ADL5371	28	ADRF6806	29	HMC358	41
AD8346	28	AD9548	57	ADF4360-3	35	ADL5372	28	ADRF6807	29	HMC361	43
AD8347	28	AD9549	57	ADF4360-4	35	ADL5373	28	ADRF6820	29	HMC362	43
AD8348	28	AD9550	57	ADF4360-5	35	ADL5375	28	ADRF6821	7, 29	HMC363	43
AD8349	28	AD9552	57	ADF4360-6	35	ADL5380	28	ADRF6850	29	HMC365	43
AD8350	10	AD9553	57	ADF4360-7	35	ADL5382	28	ADRV9008-1	7	HMC368	43
AD8351	11	AD9557	57	ADF4360-8	35	ADL5385	28	ADRV9008-2	7	HMC369	43
AD8352	11	AD9558	57	ADF4360-9	35	ADL5386	28	ADRV9009	7	HMC370	43
AD8353	12	AD9559	57	ADF4371	37	ADL5387	28	ADSP-2147x	32	HMC372	11
AD8354	12	ADA4961	11	ADF4372	37	ADL5390	55	ADSP-BF70x	32	HMC373	11
AD8361	45	ADAR7251	32	ADF5000	43	ADL5391	55	HMC129A	6, 22	HMC374	11
AD8362	45	ADCLK846	57	ADF5001	43	ADL5500	45	HMC190B	50	HMC375	11
AD8363	45	ADCLK854	57	ADF5002	43	ADL5501	45	HMC194A	50	HMC376	11
AD8364	45	ADCLK905	58	ADF5355	36	ADL5502	45	HMC197B	50	HMC382	11
AD8366	18	ADCLK907	58	ADF5356	8	ADL5502	46	HMC199A	50	HMC383	15
AD8367	18	ADCLK914	58	ADF5356	36	ADL5504	45	HMC213B	6, 22	HMC384	41
AD8368	18	ADCLK925	58	ADF5610	36	ADL5505	45	HMC218B	22	HMC385	41
AD8369	18	ADCLK946	58	ADF5901	31	ADL5506	45	HMC219B	6, 22	HMC386	41
AD8370	10, 18	ADCLK954	58	ADF5902	31	ADL5511	45, 46	HMC220B	6, 22	HMC388	41
AD8372	10, 18	ADF4001	34	ADF5904	32	ADL5513	45	HMC221B	50	HMC389	41
AD8375	10, 18	ADF4002	34	ADF41020	34	ADL5519	46	HMC232A	50	HMC390	41
AD8376	10, 18	ADF4007	34	ADF41513	34	ADL5521	11	HMC241A	51	HMC391	41
AD9510	56	ADF4106	34	ADG901	50	ADL5523	11	HMC244A	51	HMC392A	4, 11
AD9511	56	ADF4107	34	ADG902	50	ADL5530	12	HMC245A	51	HMC394	43
AD9513	56	ADF4108	34	ADG904	51	ADL5531	12	HMC247	55	HMC395	13
AD9515	56	ADF4110	34	ADG904-R	51	ADL5534	12	HMC252A	51	HMC396	13
AD9516-0	56	ADF4111	34	ADG918	50	ADL5535	12	HMC253A	51	HMC397	13
AD9516-1	56	ADF4113	34	ADG919	50	ADL5536	12, 50	HMC260A	6, 23	HMC404	24
AD9516-2	56	ADF4113HV	34	ADG936	50	ADRF5160	8, 50	HMC263	12	HMC405	13
AD9516-3	56	ADF4116	34	ADG936-R	50	ADRF5250	8, 51	HMC264	23	HMC406	14
AD9516-4	56	ADF4117	34	ADL5201	10	ADRF5720	19	HMC265	23	HMC407	14
AD9516-5	56	ADF4118	34	ADL5201	18	ADRF5721	19	HMC270A	50	HMC408	14
AD9517-0	56	ADF4150	34	ADL5202	10	ADRF5730	19	HMC273A	19	HMC409	14
AD9517-1	56	ADF4150HV	34	ADL5202	18	ADRF5731	19	HMC284A	50	HMC412B	22
AD9517-2	56	ADF4151	34	ADL5205	10	ADRF6510	18	HMC291S	19	HMC414	14
AD9517-3	56	ADF4152HV	7, 34	ADL5240	18	ADRF6516	18	HMC292A	6, 23	HMC415	14

HMC416	41	HMC516	11	HMC600	45	HMC701	34	HMC807	36	HMC951B	24
HMC424A	19	HMC516	11	HMC601	45	HMC702	34	HMC812A	6, 19	HMC952A	14
HMC425A	19	HMC517	12	HMC602	46	HMC703	34	HMC813	46	HMC953	48
HMC427A	51	HMC518	12	HMC606	13	HMC704	34	HMC814	43	HMC954	49
HMC429	41	HMC519	12	HMC608	14	HMC705	43	HMC815B	7, 25	HMC955	49
HMC430	41	HMC520A	6, 23	HMC611	46	HMC712A	6, 19	HMC820	35	HMC958	48
HMC431	41	HMC521A	23	HMC612	45	HMC713	45	HMC821	35	HMC959	48
HMC432	43	HMC524A	6, 23	HMC613	46	HMC713	45	HMC822	35	HMC960	18
HMC433	43	HMC525A	6, 23	HMC618A	11	HMC717A	11	HMC824	35	HMC962	12
HMC434	43	HMC529	41	HMC624A	19	HMC720	48	HMC826	35	HMC963	12
HMC435A	50	HMC530	41	HMC625B	5	HMC721	49	HMC828	35	HMC966	24
HMC437	43	HMC531	41	HMC625B	18	HMC722	48	HMC829	36	HMC967	24
HMC438	43	HMC532	41	HMC628	18	HMC723	48	HMC830	36	HMC973A	19
HMC439	44	HMC533	42	HMC629A	19	HMC724	48	HMC831	35	HMC977	24
HMC440	34	HMC534	41	HMC630	55	HMC725	49	HMC832	36	HMC980	16
HMC441	14	HMC536	50	HMC631	55	HMC726	48	HMC833	36	HMC981	16
HMC442	15	HMC539A	19	HMC632	41	HMC727	48	HMC834	36	HMC983	43
HMC443	43	HMC540S	19	HMC633	13	HMC728	48	HMC835	36	HMC984	44
HMC444	43	HMC542B	19	HMC634	14	HMC729	48	HMC836	35	HMC985A	6, 19
HMC445	43	HMC543A	55	HMC635	14	HMC732	42	HMC837	35	HMC986A	50
HMC447	43	HMC544A	50	HMC636	13	HMC733	42	HMC838	35	HMC987	58
HMC448	43	HMC545A	50	HMC637A	13	HMC734	42	HMC839	35	HMC994A	5, 14
HMC450	14	HMC546	50	HMC637B	5, 13	HMC735	42	HMC840	35	HMC996	18
HMC451	15	HMC547A	50	HMC639	11	HMC736	42	HMC841	48	HMC997	18
HMC452	14	HMC549	11	HMC641A	51	HMC737	42	HMC842	48	HMC998A	5, 14
HMC453	14	HMC550A	50	HMC642A	55	HMC738	42	HMC843	48	HMC998APM5E	5
HMC454	14	HMC553A	22	HMC644A	55	HMC739	42	HMC844	49	HMC1010	45
HMC455	14	HMC554A	6, 23	HMC646	50	HMC740	12	HMC847	49	HMC1013	46
HMC457	14	HMC557A	22	HMC647A	55	HMC741	12	HMC848	49	HMC1018A	5, 19
HMC459	13	HMC558A	6, 22	HMC648A	55	HMC742A	18	HMC849A	50	HMC1019A	5, 19
HMC460	13	HMC559	13	HMC649A	55	HMC744	48	HMC850	48	HMC1020	45
HMC462	14	HMC560A	23	HMC650	19	HMC745	49	HMC851	49	HMC1021	45, 46
HMC463	13, 14	HMC561	43	HMC651	19	HMC746	48	HMC853	48	HMC1022A	14
HMC464	13	HMC562	14	HMC652	19	HMC747	48	HMC854	49	HMC1023	18
HMC465	13	HMC564	11	HMC653	19, 20	HMC748	48	HMC855	49	HMC1027	49
HMC466	41	HMC565	11, 12	HMC654	19, 20	HMC749	48	HMC858	48	HMC1030	45, 46
HMC468A	19	HMC566	12	HMC655	19	HMC751	12	HMC859	48	HMC1031	34
HMC470A	19	HMC570	24	HMC656	19, 20	HMC752	12	HMC862A	8, 43	HMC1040	4, 12
HMC472A	19	HMC571	24	HMC657	20	HMC753	11	HMC863A	5	HMC1044	44
HMC480	13	HMC572	24	HMC658	20	HMC754	12	HMC863ALC4	15	HMC1048A	6, 22
HMC487	14	HMC573	43	HMC659	13	HMC759	19	HMC877	55	HMC1049	13
HMC490	11	HMC574A	50	HMC661	49	HMC760	49	HMC900	18	HMC1055	50
HMC492	43	HMC575	43	HMC662	46	HMC764	36	HMC902	11	HMC1056	23
HMC493	43	HMC576	43	HMC666	22	HMC765	36	HMC903	11	HMC1057	24
HMC494	43	HMC577	43	HMC678	48	HMC767	36	HMC904	24	HMC1058	24
HMC498	15	HMC578	43	HMC679	48	HMC769	36	HMC905	43	HMC1061	49
HMC499	15	HMC579	43	HMC680	18	HMC772	11	HMC906A	5, 15	HMC1063	23
HMC500	55	HMC582	41	HMC682	21	HMC773A	23	HMC907A	5, 14	HMC1065	24
HMC504	12	HMC583	41	HMC683	21	HMC774A	6, 23	HMC909	45	HMC1081	23
HMC505	41	HMC584	41	HMC684	21	HMC778	36	HMC913	46	HMC1082	14
HMC506	41	HMC586	42	HMC685	21	HMC783	36	HMC920	16	HMC1084	51
HMC507	41	HMC587	42	HMC686	21	HMC784A	50	HMC930A	14	HMC1086	15
HMC508	41	HMC588	42	HMC687	21	HMC787A	22	HMC936A	55	HMC1087	15
HMC509	41	HMC589A	13	HMC688	21	HMC788A	13	HMC939A	19	HMC1093	24
HMC510	41	HMC590	14	HMC689	21	HMC789	13	HMC940	48	HMC1094	46
HMC511	41	HMC591	14	HMC694	18	HMC792A	19	HMC941A	19	HMC1095	19
HMC512	41	HMC595A	50	HMC695	43	HMC794	43	HMC942	43	HMC1096	43
HMC513	41	HMC596	51	HMC698	34	HMC795	28	HMC943A	5, 15	HMC1097	28
HMC514	41	HMC598	43	HMC699	34	HMC797A	5, 14	HMC948	46	HMC1099	15
HMC515	41	HMC599	11	HMC700	34	HMC802A	19	HMC951A	6, 24	HMC1105	44

HMC1106	23	HMC7891	52	HMC-APH596	15	HMC-C056	53	LT5572	28	LTC6400-20	10
HMC1110	43	HMC7911	7, 24	HMC-APH608	15	HMC-C058	52	LT5575	28	LTC6400-26	10
HMC1113	24	HMC7912	7, 25	HMC-APH633	15	HMC-C059	52	LT5578	21	LTC6401-8	11
HMC1114	5, 15	HMC7950	4, 12	HMC-APH634	15	HMC-C070	54	LT5579	22	LTC6401-14	10
HMC1118	50	HMC7992	51	HMC-AUH232	14	HMC-C071	52	LT5581	45	LTC6401-20	10
HMC1119	19	HMC8038	50	HMC-AUH249	14	HMC-C072	52	LT6402-6	10	LTC6401-26	10
HMC1120	45, 46	HMC8073	5	HMC-AUH256	15	HMC-C073	54	LT6402-12	10	LTC6403-1	10
HMC1121	14	HMC8073	19	HMC-AUH312	14	HMC-C074	52	LT6402-20	10	LTC6404-1	10
HMC1122	19	HMC8100	31	HMC-AUH317	15	HMC-C075	52	LT6411	10	LTC6404-2	10
HMC1126	14	HMC8108	24	HMC-AUH318	15	HMC-C076	52	LTC5505-1	46	LTC6404-4	10
HMC1127	14	HMC8113	52	HMC-AUH320	15	HMC-C077	52	LTC5505-2	46	LTC6405	10
HMC1131	15	HMC8114	52	HMC-C001	52	HMC-C079	52	LTC5507	46	LTC6406	11
HMC1132	5, 15	HMC8118	25, 31	HMC-C002	52	HMC-C083	54	LTC5508	46	LTC6409	11
HMC1133	55	HMC8119	25, 31	HMC-C003	52	HMC-C088	53	LTC5509	46	LTC6410-6	10
HMC1144	15	HMC8120	18	HMC-C004	52	HMC-C200	53	LTC5510	22	LTC6412	18
HMC1160	41	HMC8121	18	HMC-C005	53	HMC-C582	52	LTC5530	46	LTC6416	11
HMC1161	41	HMC8191	23	HMC-C006	53	HMC-C583	52	LTC5531	46	LTC6417	10
HMC1162	41	HMC8192	23	HMC-C007	53	HMC-C584	52	LTC5532	46	LTC6419	11
HMC1163	41	HMC8193	6	HMC-C009	53	HMC-MDB169	23	LTC5533	46	LTC6420-20	10
HMC1164	41	HMC8193	23	HMC-C010	53	HMC-MDB171	23	LTC5535	46	LTC6421-20	10
HMC1165	41	HMC8200	31	HMC-C011	52	HMC-MDB172	23	LTC5536	46	LTC6430A-15	10
HMC1166	41	HMC8205	5, 15	HMC-C014	53	HMC-MDB218	23	LTC5540	21	LTC6430A-20	10
HMC1167	41	HMC8325	4, 12	HMC-C015	53	HMC-MDB277	23	LTC5541	21	LTC6430B-15	10
HMC1168	41	HMC8326	6, 24, 31	HMC-C016	52	HMC-SDD112	50	LTC5542	21	LTC6430B-20	11
HMC1169	41	HMC8327	6, 24, 31	HMC-C017	52	HMC-VVD102	19	LTC5543	22	LTC6431A-15	12
HMC1190A	25	HMC8400	12	HMC-C018	52	HMC-VVD104	19	LTC5544	22	LTC6431A-20	12
HMC1197	29	HMC8401	12	HMC-C019	52	HMC-VVD106	19	LTC5548	22	LTC6431B-15	12
HMC3587	13	HMC8402	12	HMC-C020	52	HMC-XDB112	44	LTC5549	22	LTC6431B-20	12
HMC3653	13	HMC8410	4, 11	HMC-C021	52	HMC-XTB110	44	LTC5551	22	LTC6432A-15	10
HMC3716	44	HMC8415	15	HMC-C022	52	LT1993-2	10	LTC5552	23	LTC6432B-15	10
HMC4069	34	HMC8500	5, 15	HMC-C023	52	LT1993-4	10	LTC5553	23	LTC6433A-15	12
HMC5805A	14	HMC-ABH209	15	HMC-C024	52	LT1993-10	10	LTC5556	6	LTC6433B-15	12
HMC6146B	25	HMC-ABH241	15	HMC-C025	52	LT1994	10	LTC5556	22	LTC6945	34
HMC6147A	24	HMC-ABH264	15	HMC-C026	52	LT5504	45	LTC5562	6	LTC6946-1	35
HMC6187	18	HMC-ALH102	13	HMC-C027	52	LT5506	28	LTC5562	22	LTC6946-2	35
HMC6300	31	HMC-ALH140	12	HMC-C028	54	LT5511	22	LTC5564	46	LTC6946-3	35
HMC6301	31	HMC-ALH216	12	HMC-C029	54	LT5512	22	LTC5566	22	LTC6946-4	35
HMC6505A	7, 24	HMC-ALH244	12	HMC-C030	54	LT5514	18	LTC5567	22	LTC6947	34
HMC6545	49	HMC-ALH310	12	HMC-C031	53	LT5515	28	LTC5569	22	LTC6948-1	36
HMC6787A	25	HMC-ALH311	12	HMC-C032	53	LT5516	28	LTC5576	22	LTC6948-2	36
HMC6789B	24	HMC-ALH313	12	HMC-C033	53	LT5517	28	LTC5577	22	LTC6948-3	36
HMC6832	56, 58	HMC-ALH364	12	HMC-C034	53	LT5519	21	LTC5582	45	LTC6948-4	36
HMC6980	52	HMC-ALH369	12	HMC-C035	53	LT5520	21	LTC5583	45	LTC6950	56
HMC6981	15	HMC-ALH376	12	HMC-C036	52	LT5522	21	LTC5584	28	LTC6951	56
HMC7043	56	HMC-ALH382	12	HMC-C037	52	LT5524	18	LTC5585	28	LTC6951-1	56
HMC7044	57	HMC-ALH435	11	HMC-C038	52	LT5525	21	LTC5586	28	LTC6952	57
HMC7053	53	HMC-ALH444	11	HMC-C039	53	LT5526	21	LTC5587	45	LTC6953	56
HMC7054	52	HMC-ALH445	12	HMC-C040	53	LT5527	22	LTC5588-1	28	LTC6954-1	56
HMC7056	53	HMC-ALH476	12	HMC-C041	53	LT5528	28	LTC5589	28	LTC6954-2	56
HMC7229	15, 15	HMC-ALH482	13	HMC-C042	53	LT5534	45	LTC5590	21	LTC6954-3	56
HMC7357	14	HMC-ALH508	12	HMC-C043	53	LT5537	45	LTC5591	21	LTC6954-4	56
HMC7441	15	HMC-ALH509	12	HMC-C044	53	LT5538	45	LTC5592	21	LTC6955-1	58
HMC7447	46	HMC-APH196	15	HMC-C045	52	LT5546	28	LTC5593	22	LTC6955	58
HMC7545	49	HMC-APH403	15	HMC-C046	53	LT5554	18	LTC5594	7	LTC6957-1	57
HMC7584	7, 25, 31	HMC-APH460	15	HMC-C047	53	LT5557	22	LTC5594	28	LTC6957-2	57
HMC7585	7, 25, 31	HMC-APH462	15	HMC-C048	52	LT5558	28	LTC5596	45	LTC6957-3	57
HMC7586	6, 24, 31	HMC-APH473	15	HMC-C049	53	LT5560	22	LTC5598	28	LTC6957-4	57
HMC7587	6, 24, 31	HMC-APH478	15	HMC-C050	52	LT5568	28	LTC5599	28		
HMC7748	52	HMC-APH510	15	HMC-C051	53	LT5568-2	28	LTC6400-8	11		
HMC7885	52	HMC-APH518	15	HMC-C053	52	LT5571	28	LTC6400-14	10		

Design Resources

Circuits from the Lab Reference Designs

Circuits from the Lab[®] reference designs are engineered and tested for quick and easy system integration to help solve today's analog, mixed-signal, and RF design challenges. These circuits represent easy to understand subsystem-level building blocks intended for time-saving evaluation and easy integration. Each reference circuit has been thoroughly documented, and many provide test data, design/layout guidelines, schematics, PCB layout files, bill of materials, device drivers, and evaluation hardware.

Find RF circuits at analog.com/circuits.

**Circuits
from the Lab[®]**
Reference Designs

EngineerZone

EngineerZone[®] is ADI's online support community for engineers using the company's products to ask products, share knowledge, and search for answers to their design questions.

Collaborate with ADI engineers and other designers in this open forum at ez.analog.com.



Analog Devices, Inc. Worldwide Headquarters

Analog Devices, Inc.
One Technology Way
P.O. Box 9106
Norwood, MA 02062-9106
U.S.A.
Tel: 781.329.4700
(800.262.5643, U.S.A. only)
Fax: 781.461.3113

Analog Devices, Inc. Europe Headquarters

Analog Devices GmbH
Otto-Aicher-Str. 60-64
80807 München
Germany
Tel: 49.89.76903.0
Fax: 49.89.76903.157

Analog Devices, Inc. Japan Headquarters

Analog Devices, KK
New Pier Takeshiba
South Tower Building
1-16-1 Kaigan, Minato-ku,
Tokyo, 105-6891
Japan
Tel: 813.5402.8200
Fax: 813.5402.1064

Analog Devices, Inc. Asia Pacific Headquarters

Analog Devices
5F, Sandhill Plaza
2290 Zuchongzhi Road
Zhangjiang Hi-Tech Park
Pudong New District
Shanghai, China 201203
Tel: 86.21.2320.8000
Fax: 86.21.2320.8222

©2018 Analog Devices, Inc. All rights reserved. Trademarks and registered trademarks are the property of their respective owners. Ahead of What's Possible is a trademark of Analog Devices. G13181-2-7/18(J)

analog.com



AHEAD OF WHAT'S POSSIBLE™