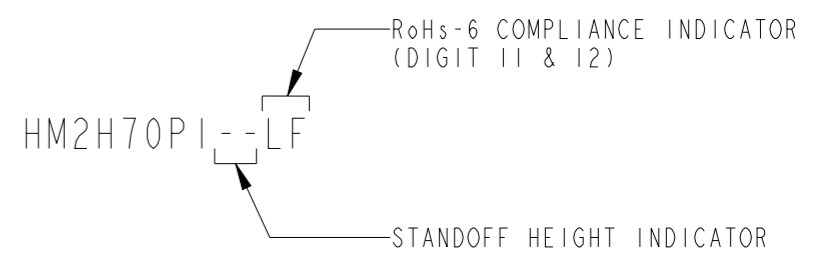
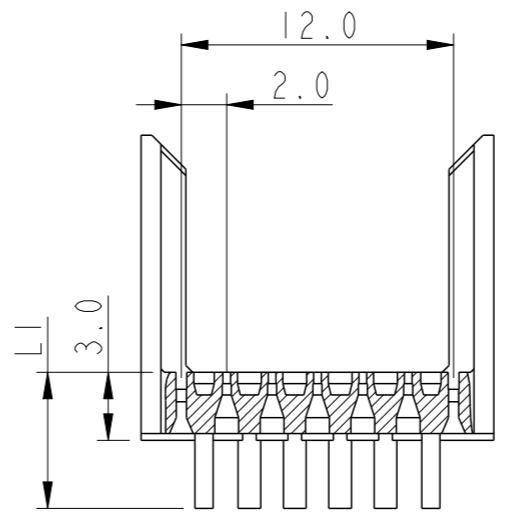
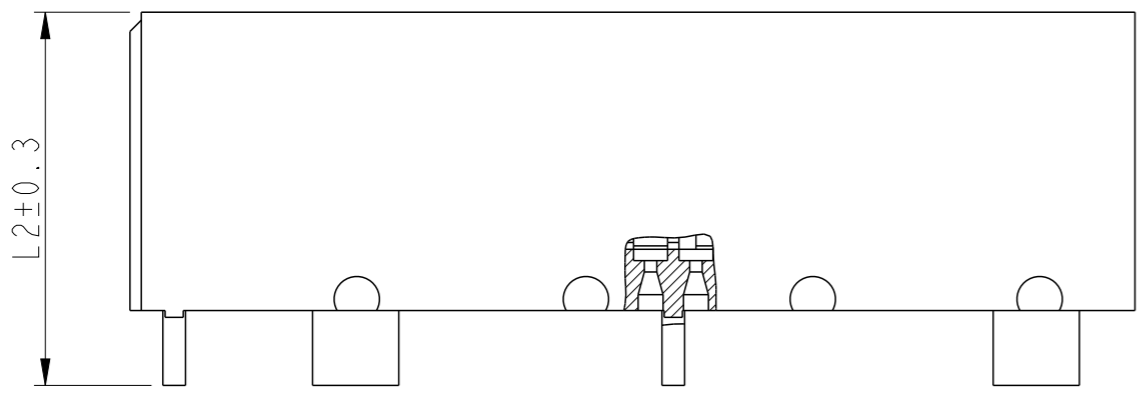
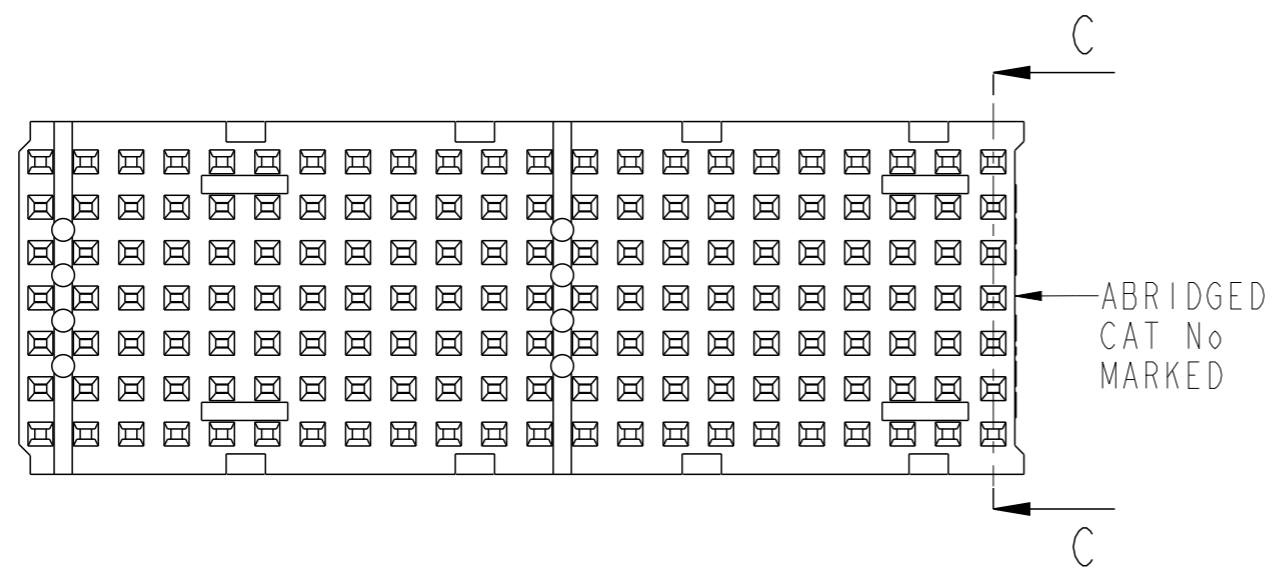


- NOTES:
- 1, MEASURED AT THE BOTTOM
 - 2, MATERIAL : GLASS REINFORCED POLYESTER UL94-V0
 - 3, THE PRODUCT (LF) MEETS EUROPEAN UNION DIRECTIVES AND OTHER COUNTRY REGULATIONS AS DESCRIBED IN GS-22-008
 - 4, PARTS WITH AND WITHOUT SUFFIX LF TO THE PRODUCT PART NUMBER ARE IDENTICAL IN FORM , FIT AND FUNCTION LF SUFFIX IS ADDED TO THE PART NUMBER OF THIS PRODUCT TO HAVE UNIFORM IDENTIFICATION OF ALL RoHs COMPATIBLE PRODUCTS



SECTION C-C



CAT. NO.	L1	L2	
HM2H70P1LF	3.0	13.45	AVAILABLE
HM2H70P109LF	3.9	14.35	AVAILABLE
HM2H70P111LF	4.1	14.55	AVAILABLE
HM2H70P113LF	4.3	14.75	AVAILABLE
HM2H70P115LF	4.5	14.95	AVAILABLE
HM2H70P117LF	4.7	15.15	AVAILABLE
HM2H70P119LF	4.9	15.35	AVAILABLE
HM2H70P122LF	5.2	15.65	AVAILABLE
HM2H70P130LF	6.0	16.45	AVAILABLE

www.fciconnect.com		surface - ✓ ISO 1302	tolerance std ISO 406 ISO 1101	projection mm
TOLERANCES UNLESS OTHERWISE SPECIFIED				←→
Dr	Alex Babu	2008-12-16	ANGULAR	0.X ±0.2
Eng	Alex Babu	2008-12-16	LINEAR	0.XX ±0.1
Chr	Alex Babu	2008-12-16	0° ±1°	size A3
Appr	Biju K Paul	2008-12-16	Product family	ECN 107-0054
			MILLIPACS	Spec ref -
			MILLIPACS 5+2 ROW SHROUD	dwg no BSC201630038
			TYPE-B (22 Pos)	Rev. F
			catalog no HM2H70P1--LF	CUSTOMER sheet 1 of 1

rev	ecn no	dr	date
A	Con Rev 06	KN	2001-09-14
B	105-0241	AB	2005-11-22
C	106-0096	VV	2006-07-04
D	107-0133	AB	2007-10-08
E	107-0054	AB	2008-12-16
F	110-0058	AB	2010-02-23
-	-	-	-



Copyright FCI.