

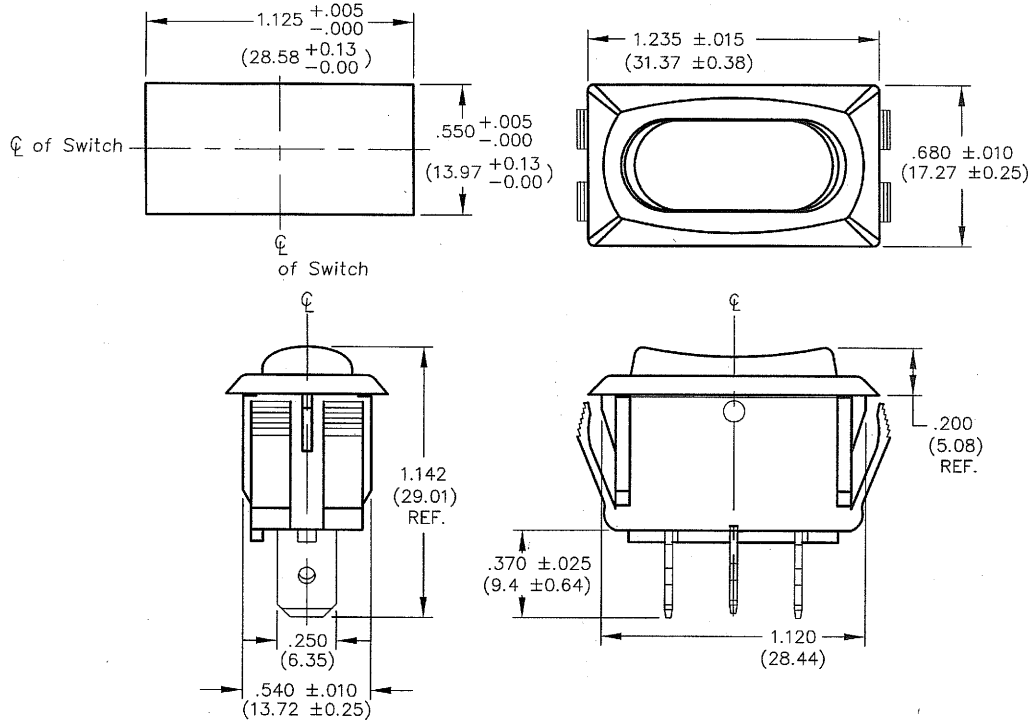
THIS INFORMATION IS CONFIDENTIAL AND PROPRIETARY TO CW INDUSTRIES, INCORPORATED AND ITS AFFILIATES. IT MAY NOT BE DISCLOSED TO ANYONE, OTHER THAN CW INDUSTRIES PERSONNEL, WITHOUT WRITTEN AUTHORIZATION FROM CW INDUSTRIES, INCORPORATED, SOUTHAMPTON, PENNSYLVANIA, USA.

DIMENSIONS IN INCHES (MILLIMETERS)
DO NOT SCALE DRAWING

Dwg. No.
GRS-2013A-25XX

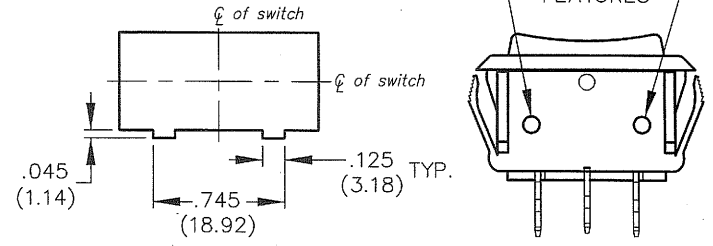
E
D
C
B
A

PANEL PIERCING

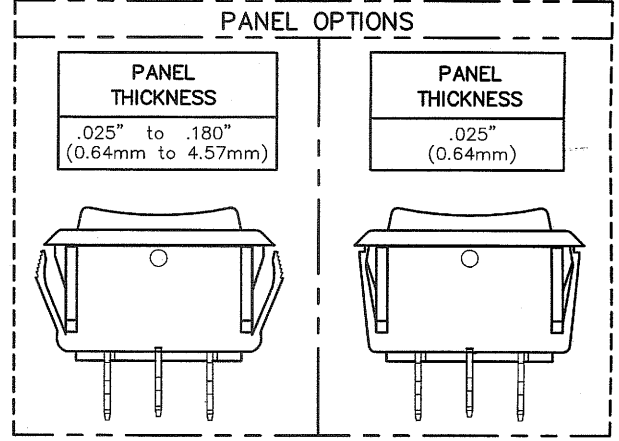


POLARIZED OPTION

POLARIZED PANEL PIERCING



PANEL OPTIONS



TERMINAL OPTIONS:

.250" Wide Terminal is standard.
(As Shown in Drawing)
.187" Wide Terminal is optional.

(GLOSSY FINISH)

1 2 3 4 5 6 7 8 9 10

B-FORMAT 2002

REVISIONS
0
RELEASED: DGW 08-23-2010
OCT 23 2010

CW INDUSTRIES
Southampton, Pa. 18966

TOLERANCES UNLESS OTHERWISE SPECIFIED

2 Place Decimal $\pm .010$	METRIC
3 Place Decimal $\pm .005$	1 Place Dec. $\pm .25$ mm
Angles $\pm 1^\circ$	2 Place Dec. $\pm .13$ mm

Made for: CW IND.
Drawn by: DGW 7-28-2010
Checked by: G. Guld 8-16-10
Approval: Edward J. Ruppel 8-18-10

Title: CENTER OFF ROCKER
SWITCH ASSEMBLY
STYLE LINE
1.125" x .550" PANEL

Division: SWITCH
Dwg. No. GRS-2013A-25XX

